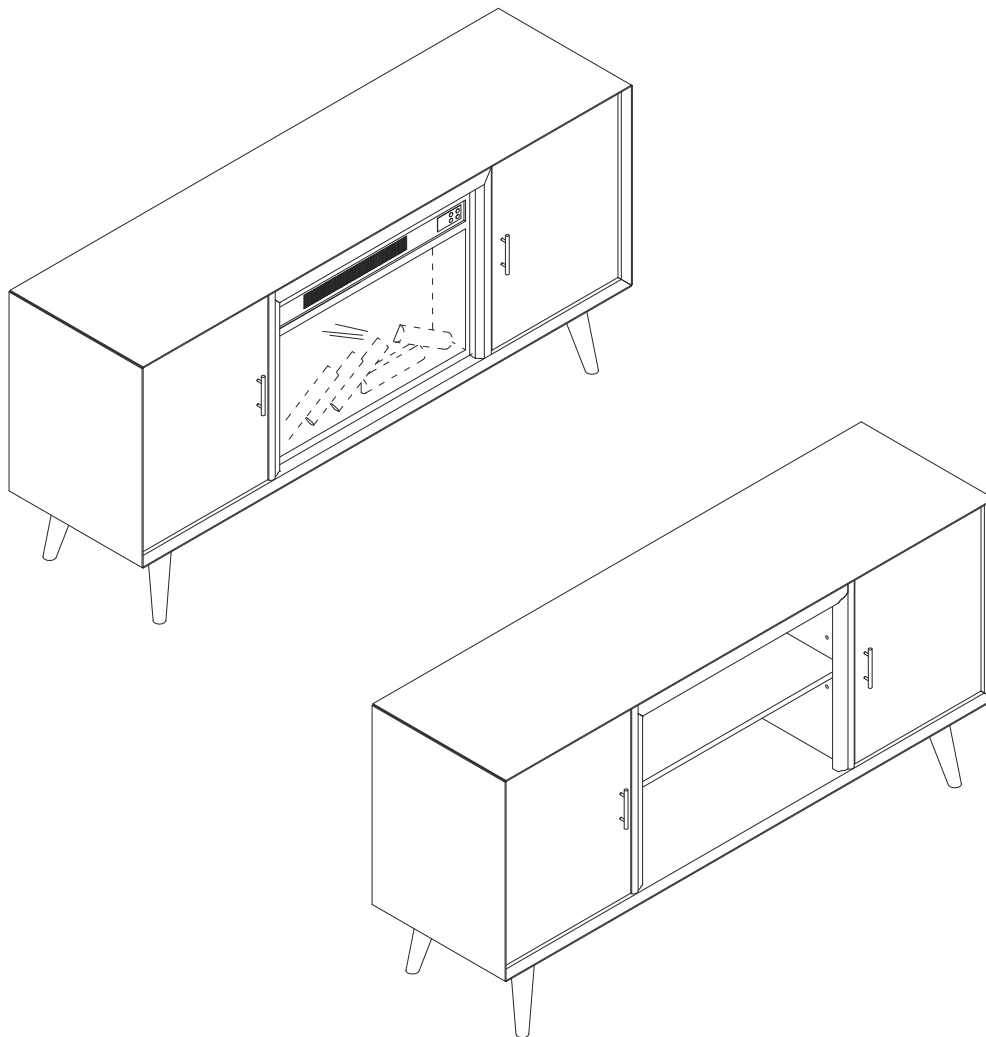


Carola TV Stand with fireplace

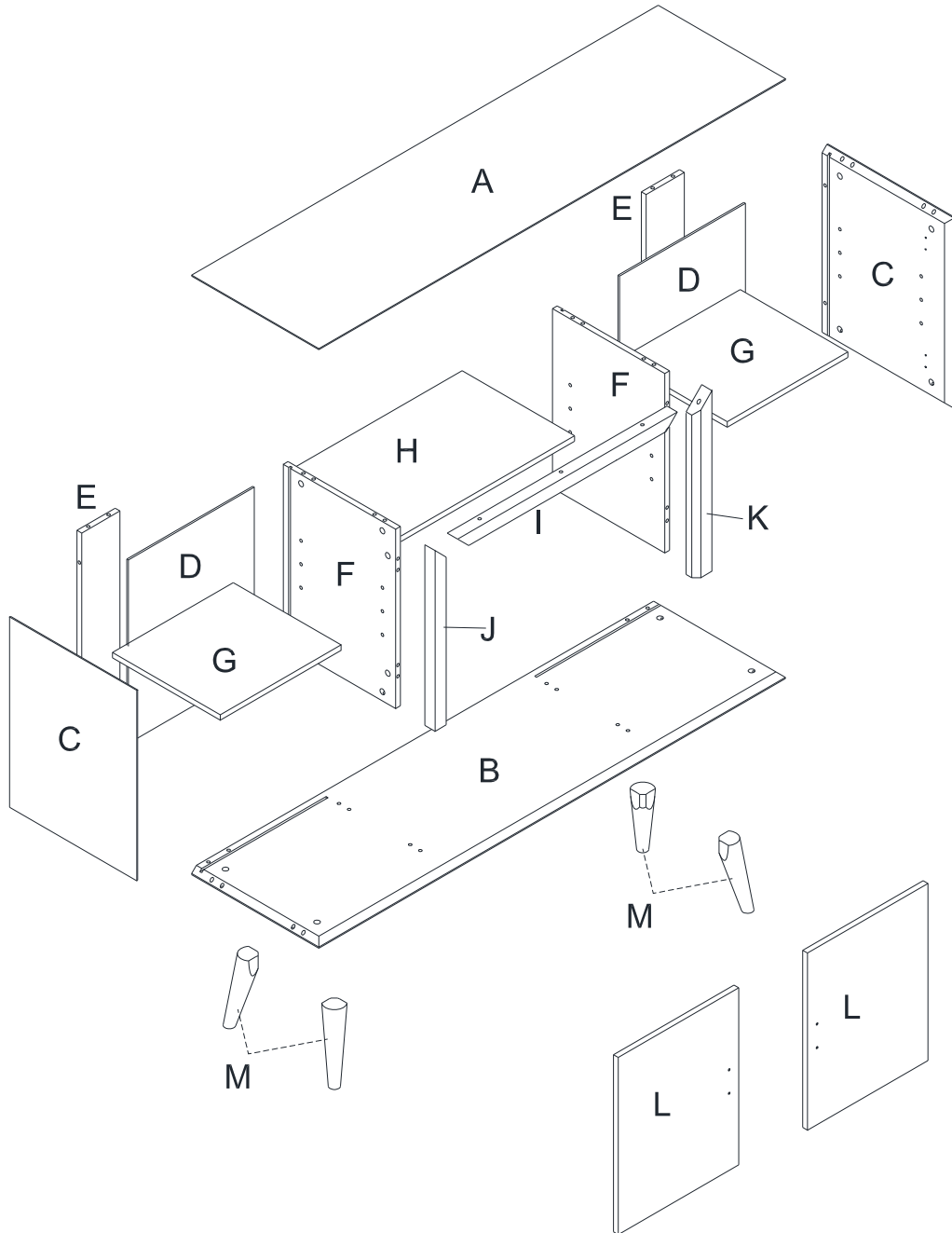


ITEM NO. ZTVJT0283

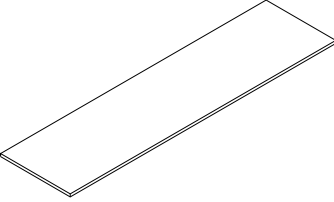
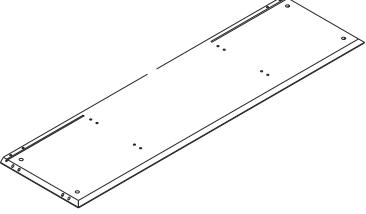
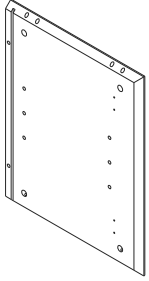
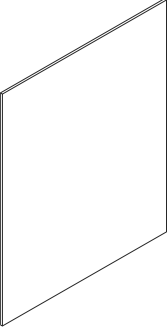

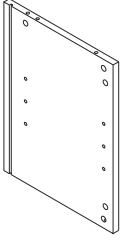
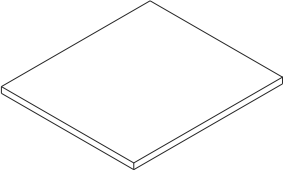
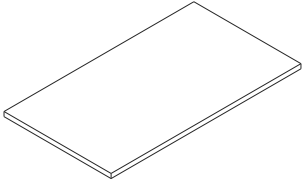
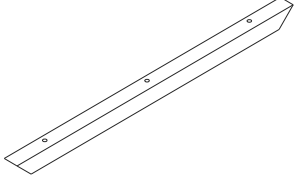


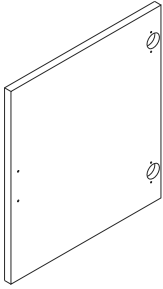
Thank you for purchasing the TV Stand with fireplace.. Please read the instructions and warnings carefully before use, to ensure safe and satisfactory operation of this product. At HULALA home we are committed to making great products possible. From our in-house Design Team, to our Buyers, we work together to bring great designs to life. Our expert Product Technologists work collaboratively with our buyers and suppliers to assure the legality, safety and quality of the product we sell. We are all committed to designing and developing products to the highest industry standards. We hope you are happy with your product and welcome any feedback or comments you may have.

EXPLOSIVE VIEW

ITEM NO. ZTVJT0283

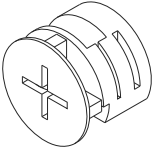
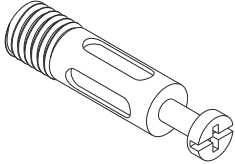
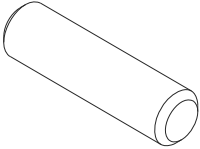
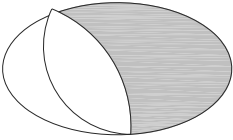
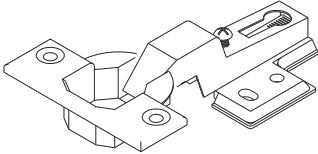
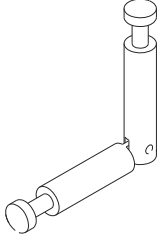
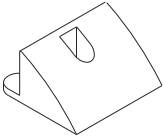
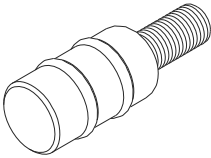
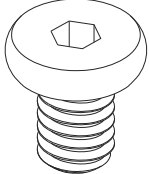


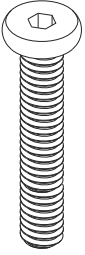
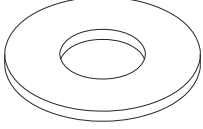
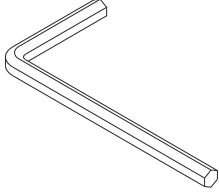
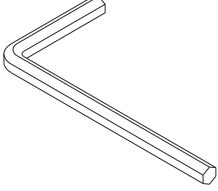
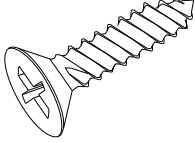
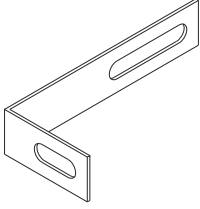
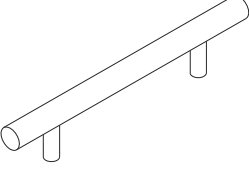
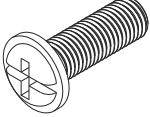
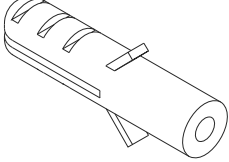
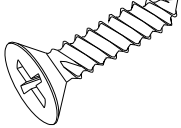
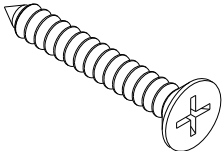
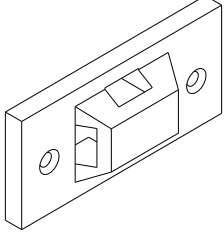
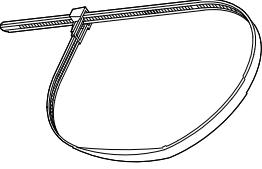
PARTS LIST

<p>A x1</p>  <p>Top Panel</p>	<p>B x1</p>  <p>Bottom Frame</p>	<p>C x2</p>  <p>Side Panel</p>
<p>D x2</p>  <p>Back Panel</p>	<p>E x2</p>  <p>Back Vertical Panel</p>	<p>F x2</p>  <p>Middle Vertical Panel</p>
<p>G x2</p>  <p>Adjustable Side Shelf</p>	<p>H x1</p>  <p>Adjustable Middle Shelf</p>	<p>I x1</p>  <p>Rail</p>
<p>J x1</p>  <p>Left Rail</p>	<p>K x1</p>  <p>Right Rail</p>	<p>L x2</p>  <p>Door</p>

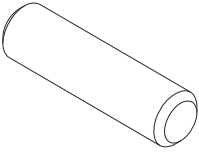
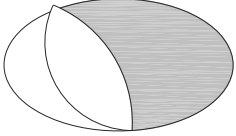
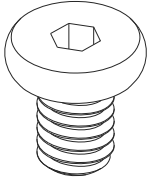
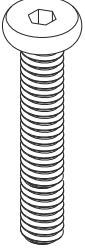
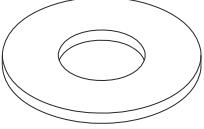
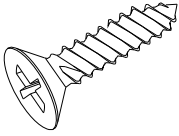
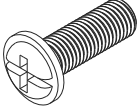
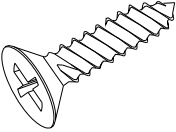
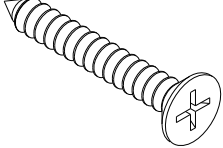
<p>M</p> <p>x4</p>  <p>Leg</p>		
---	--	--

HARDWARE LIST

<p>1</p> <p>x43</p>  <p>Cam Lock $\varnothing 15 \times 12 \text{mm}$</p>	<p>2</p> <p>x27</p>  <p>Cam Bolt M6*32mm</p>	<p>3</p> <p>x22</p>  <p>Wood Dowel $\varnothing 8 \times 30 \text{mm}$</p>
<p>4</p> <p>x43</p>  <p>Cover $\varnothing 20 \text{mm}$</p>	<p>5</p> <p>x4</p>  <p>Hinge</p>	<p>6</p> <p>x8</p>  <p>Cam Bolt</p>
<p>7</p> <p>x8</p>  <p>Button</p>	<p>8</p> <p>x12</p>  <p>Shelf Pin</p>	<p>9</p> <p>x1</p>  <p>Bolt M6*10mm</p>

<p>10</p>  <p>Blot M8*65mm</p>	<p>11</p>  <p>Flat Washer M8*ø17*1.5mm</p>	<p>12</p>  <p>Allen Wrench #4</p>
<p>13</p>  <p>Allen Wrench #5</p>	<p>14</p>  <p>Screw M3.5*14mm</p>	<p>15</p>  <p>Bracket</p>
<p>16</p>  <p>Knob</p>	<p>17</p>  <p>Blot M4*22mm</p>	<p>18</p>  <p>Anchor</p>
<p>19</p>  <p>Screw M3*16mm</p>	<p>20</p>  <p>Screw M4*35mm</p>	<p>21</p>  <p>Bracket</p>
<p>22</p>  <p>Tie</p>		




SPARE

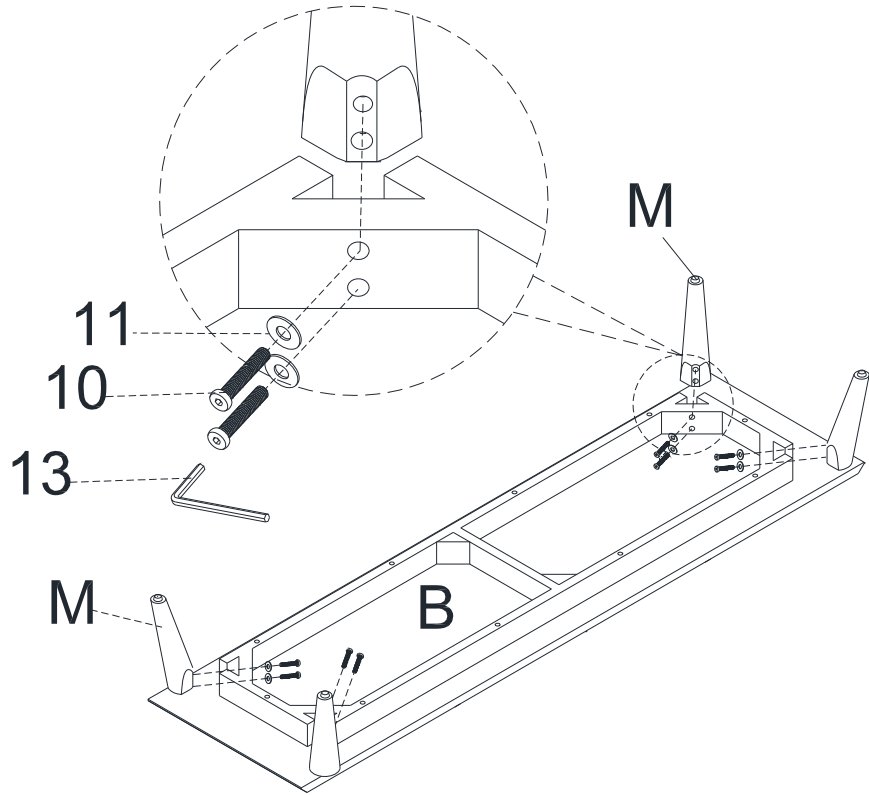
<p>3 x1</p>  <p>Wood Dowel $\varnothing 8 \times 30 \text{mm}$</p>	<p>4 x1</p>  <p>Cover $\varnothing 20 \text{mm}$</p>	<p>9 x1</p>  <p>Blot M6*10mm</p>
<p>10 x1</p>  <p>Blot M8*65mm</p>	<p>11 x1</p>  <p>Flat Washer M8*$\varnothing 17$*1.5mm</p>	<p>14 x1</p>  <p>Screw M3.5*14mm</p>
<p>17 x1</p>  <p>Blot M4*22mm</p>	<p>19 x1</p>  <p>Screw M3*16mm</p>	<p>20 x1</p>  <p>Screw M4*35mm</p>

Be sure to check all packing material carefully for small parts, which may have come loose inside the carton during shipment.

ASSEMBLY INSTRUCTION


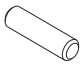
STEP 1

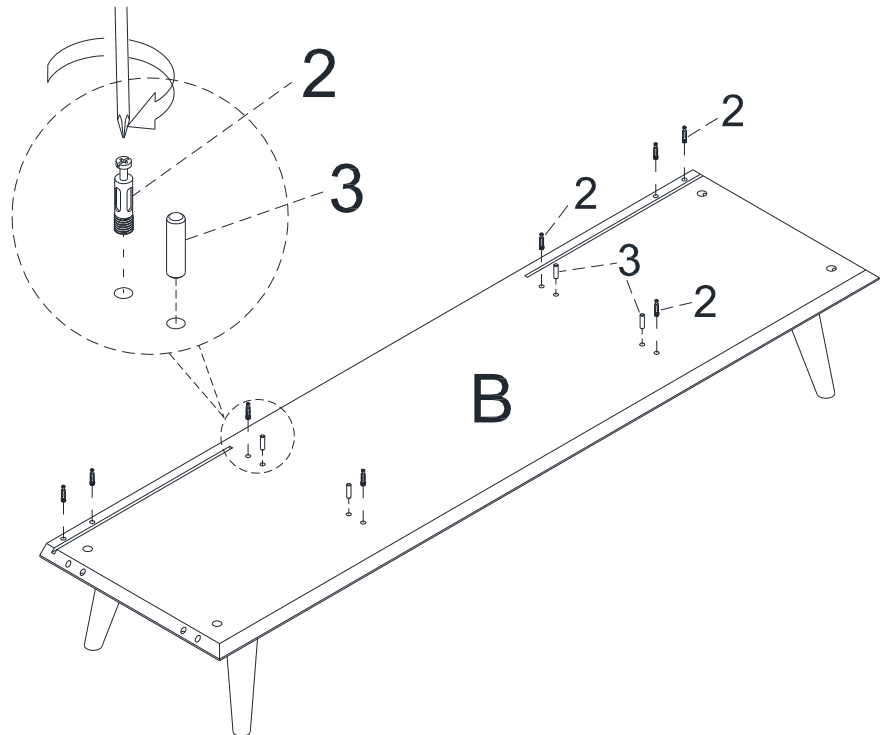
10		X8
11		X8
13		X1



Attach Leg(M) to Bottom Frame(B) with Bolt(10) and Flat Washer(11) , tight it with Allen Wrench(13).


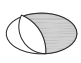
STEP 2

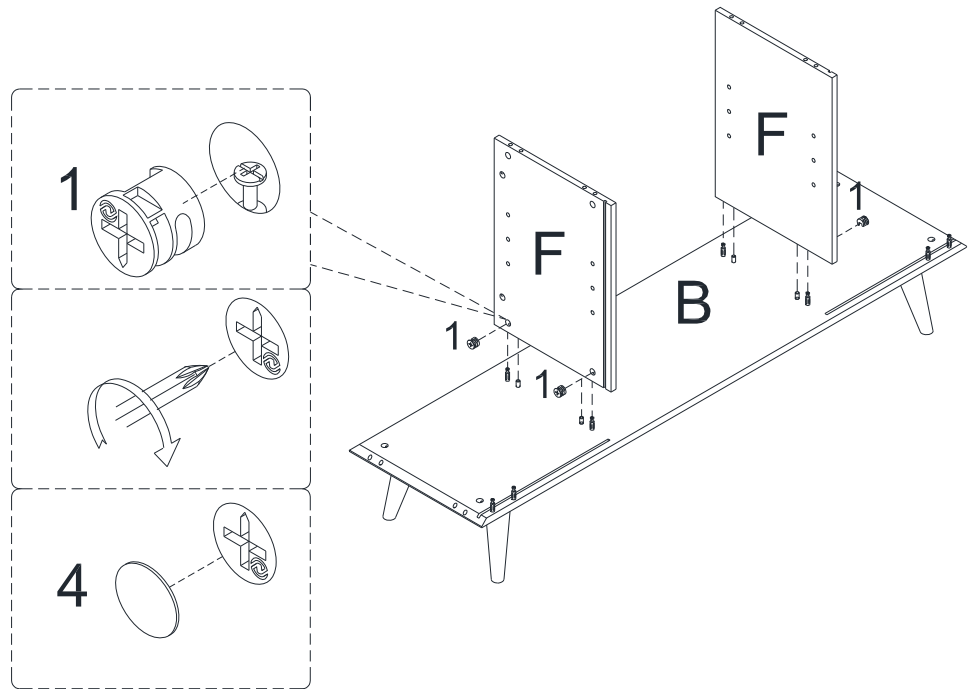
2		X8
3		X4



Attach Cam Bolt(2) and Wood Dowel(3) to Bottom Frame(B) , tight it with screwdriver.


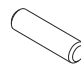
STEP 3

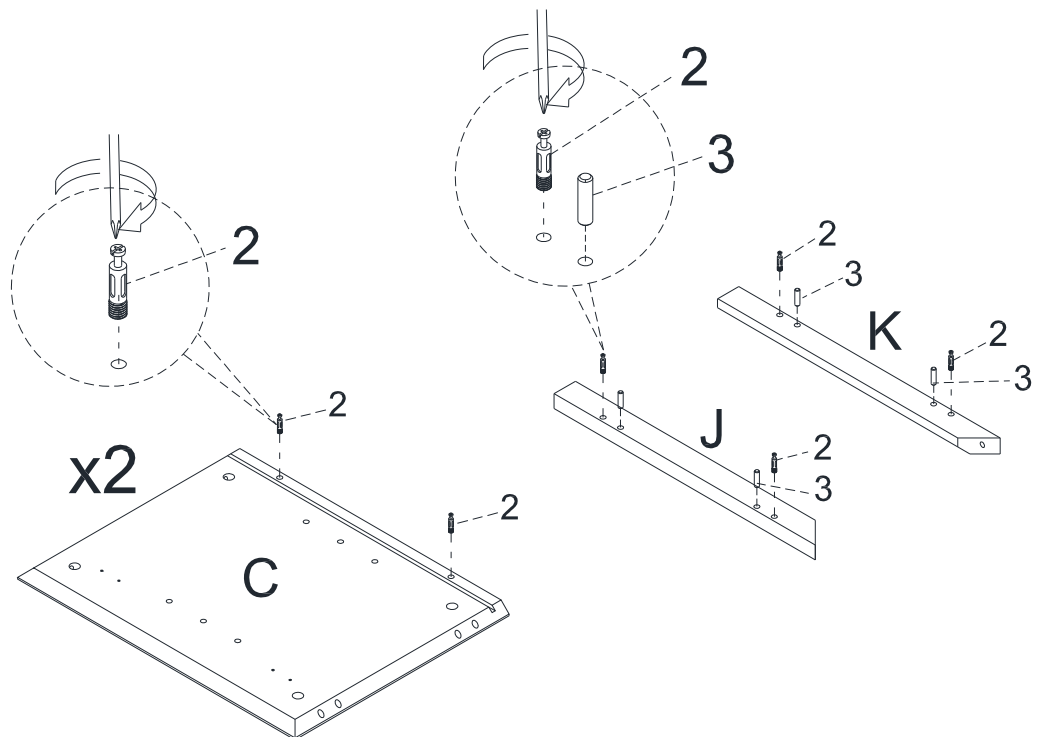
1		X4
4		X4



Attach Middle Vertical Panel(F) to Bottom Frame(B) with Cam Lock(1) and Cover(4) ,tight it with screwdriver.

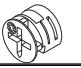
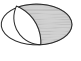
STEP 4

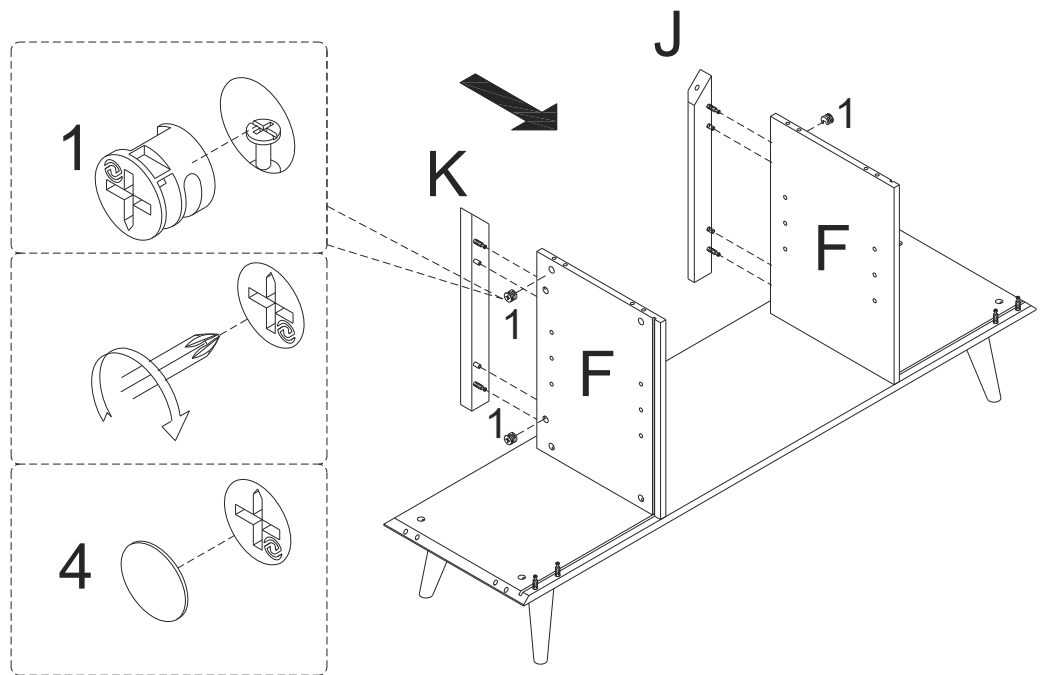
2		X8
3		X4



Attach Cam Bolt(2) to Side Panel(C) ,Attach Cam Bolt(2) and Wood Dowel(3) to Rail(J/K) , tight it with screwdriver.

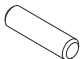
STEP 5

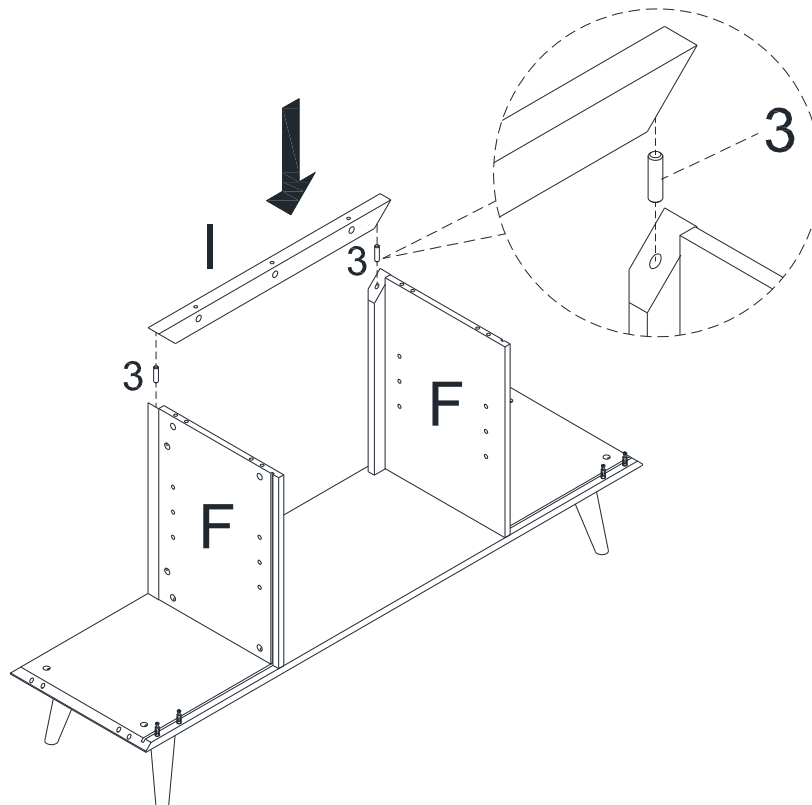
1		X4
4		X4



Attach Rail(J/K) to Middle Vertical Panel(F) with Cam Lock(1) and Cover(4) ,tight it with screwdriver.

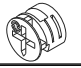
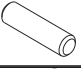
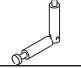
STEP 6

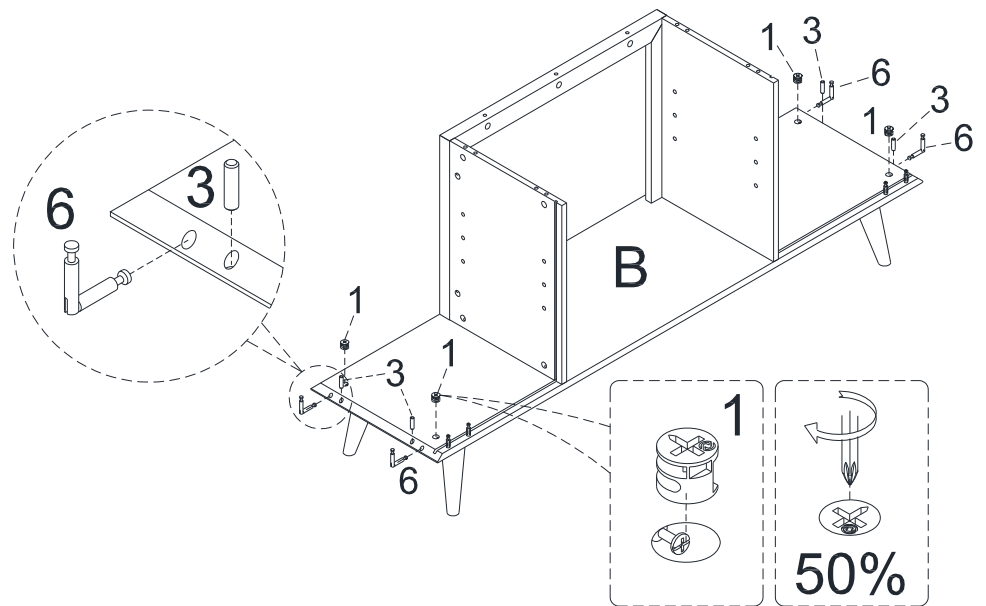
3		X2
---	---	----



Attach Rail(I) to preassembly unit at step 5 with Wood Dowel(3) as shown.


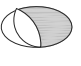
STEP 7

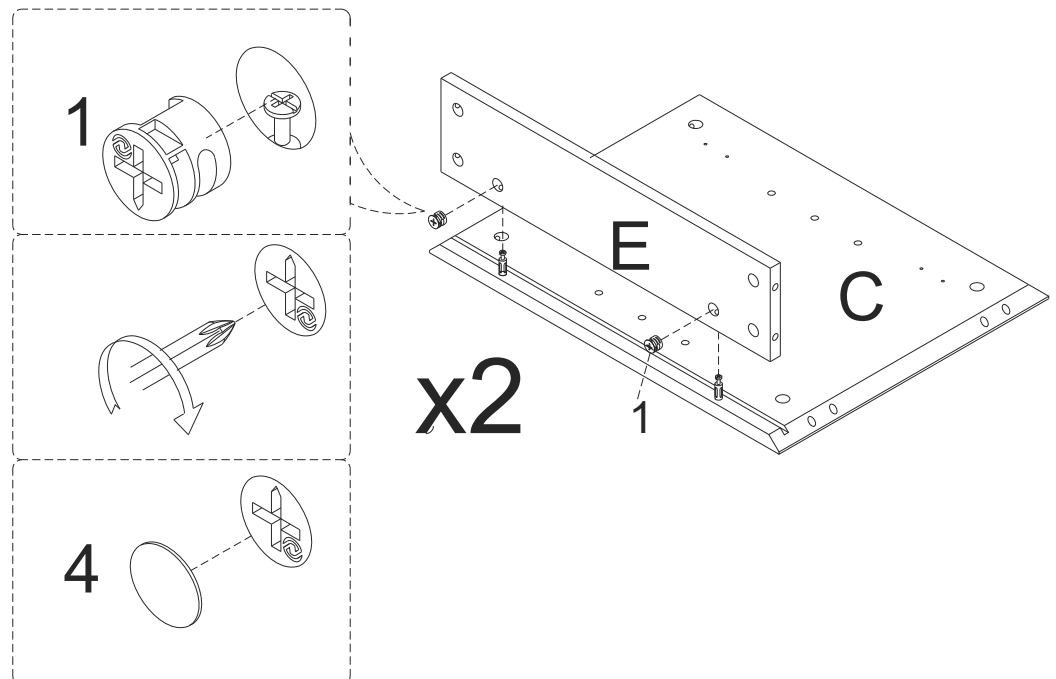
1		X4
3		X4
6		X4



Attach Cam Bolt(6) and Cam Lock(1) and Wood Dowel(3) to Bottom Frame(B) as shown.

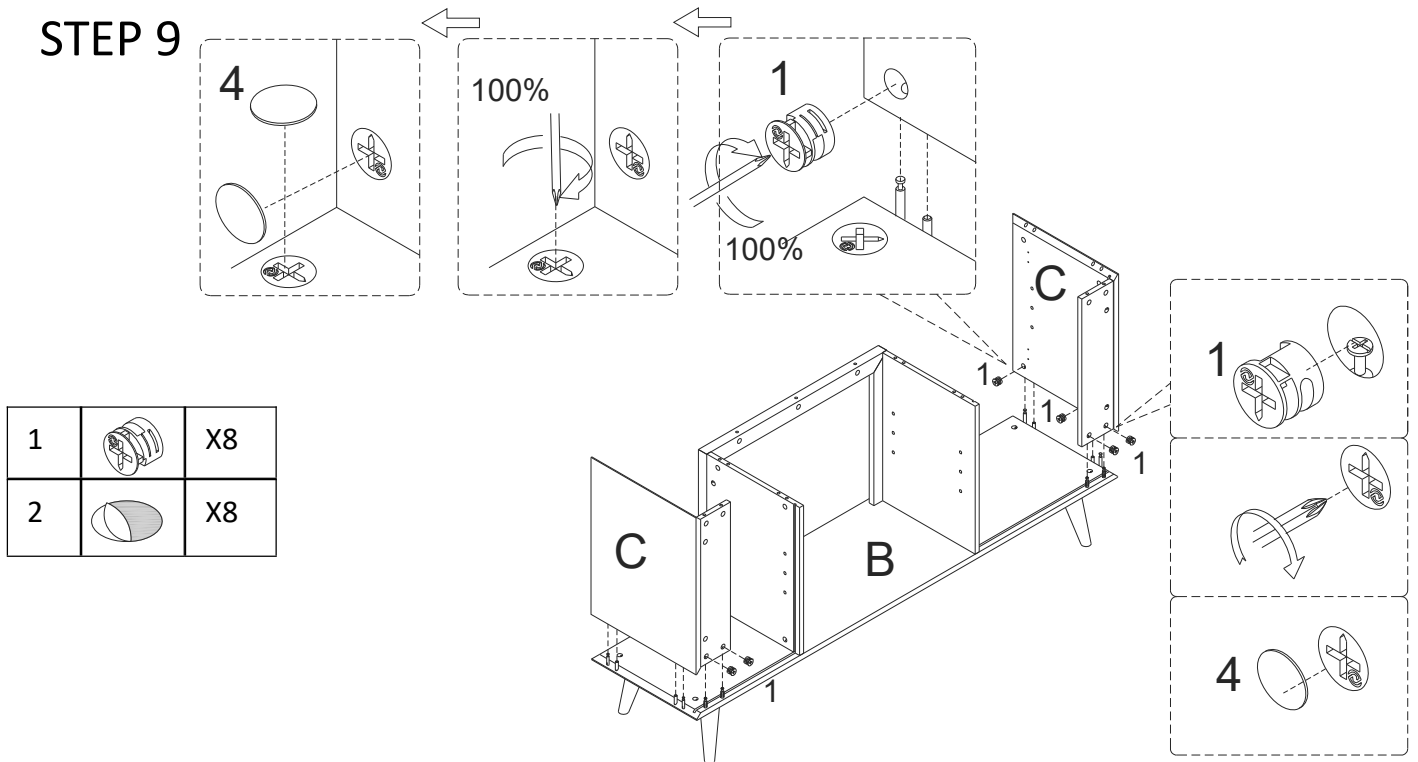
STEP 8

1		X4
4		X4



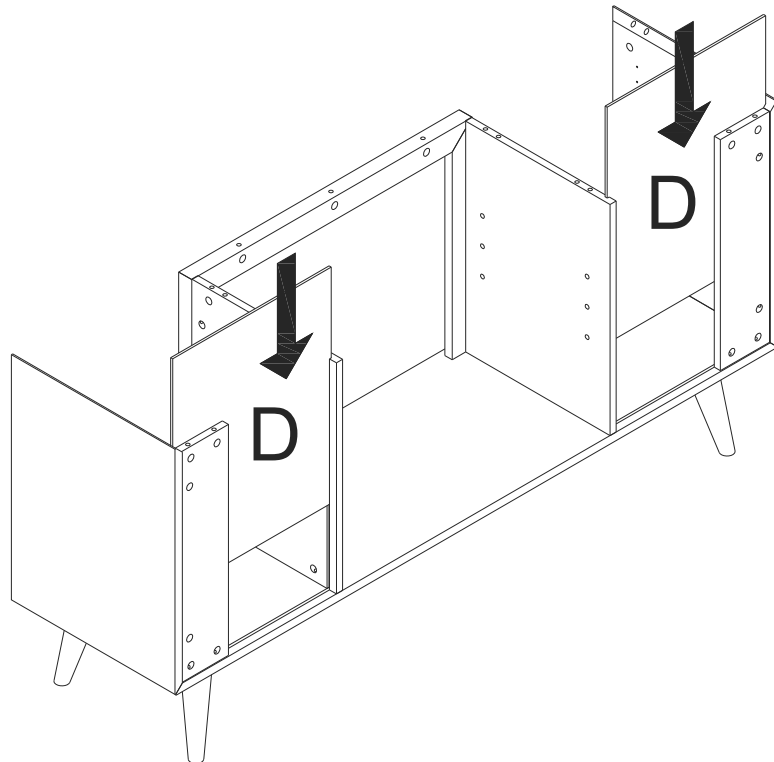
Attach Back Vertical Panel(E) to Side Panel(C) with Cam Lock(1) and Cover(4) ,tight it with screwdriver.

STEP 9




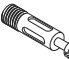
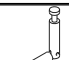
Attach Side Panel(C) to Bottom Frame(B) with Cam Lock(1) and Cover(4) ,tight it with screwdriver.

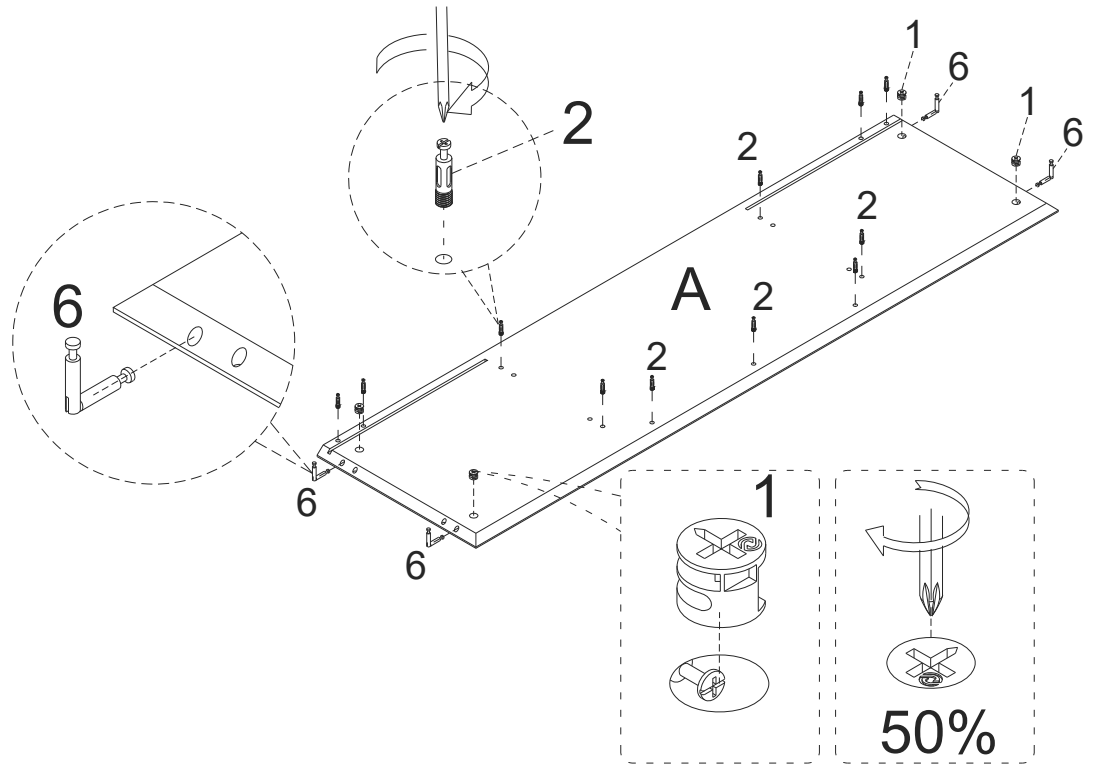
STEP 10



Attach Back Panel(D) to preassemble unit at step 9.

STEP 11




1		X4
2		X11
6		X4

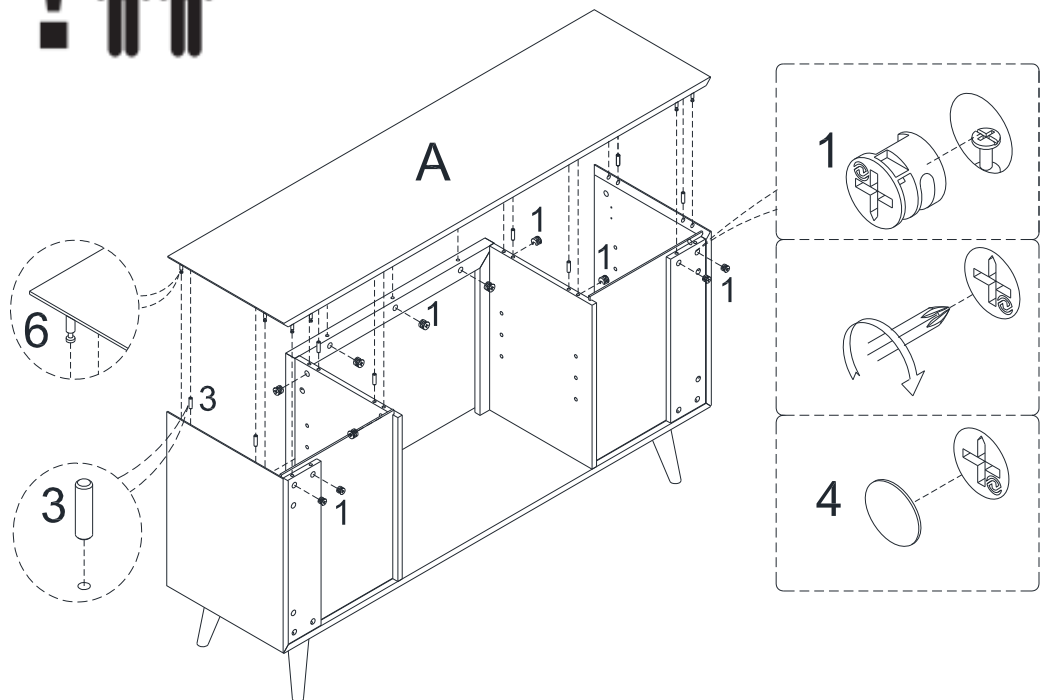


Attach Cam Bolt(2/6) and Cam Lock(1) to Top Panel(A) as shown.

STEP 12


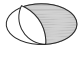


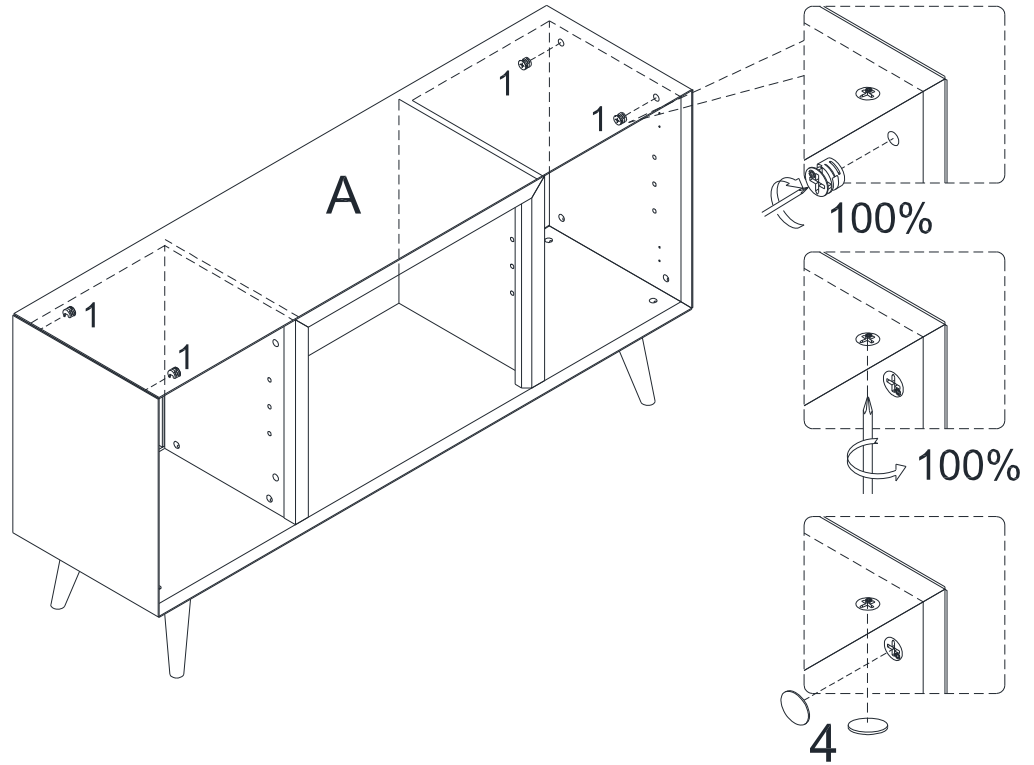
1		X11
3		X8
4		X11



Attach Top Panel(A) to preassemble unit at step 10 with Cam Lock(1) and Cover(4) and Wood Dowel(3) ,tight it with screwdriver.


STEP 13

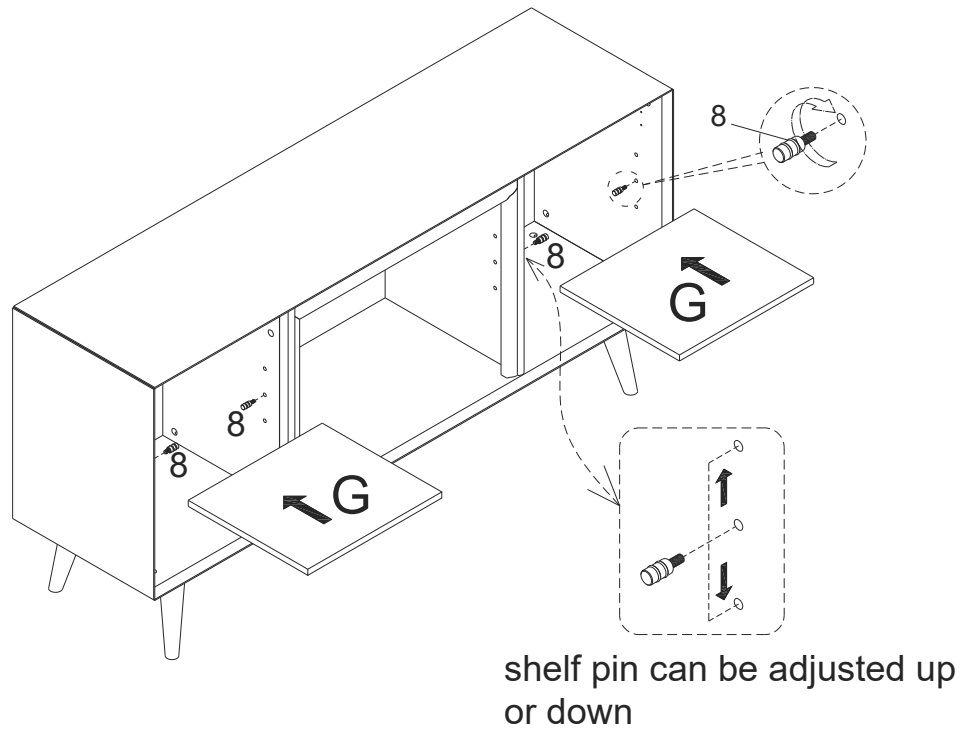
1		X4
4		X4



Attach cam lock (1) and cover (4) to the unit preassembly at step 12, and tight screw with screwdriver



STEP 14

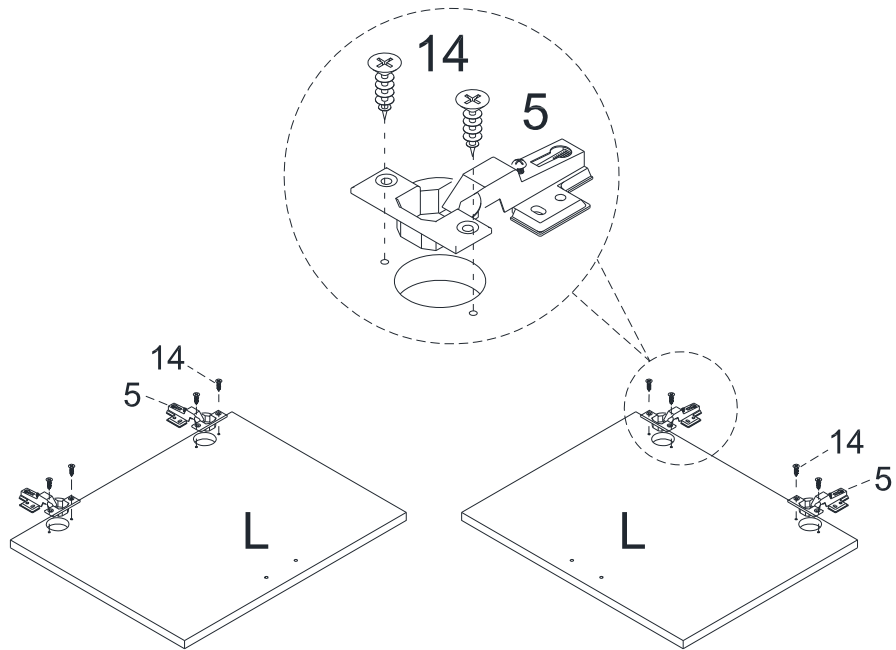
8		X8
---	---	----



Insert Shelf Pin(8) to preassemble unit at step 13, and attach Adjustable Shelf (G) to it.


STEP 15

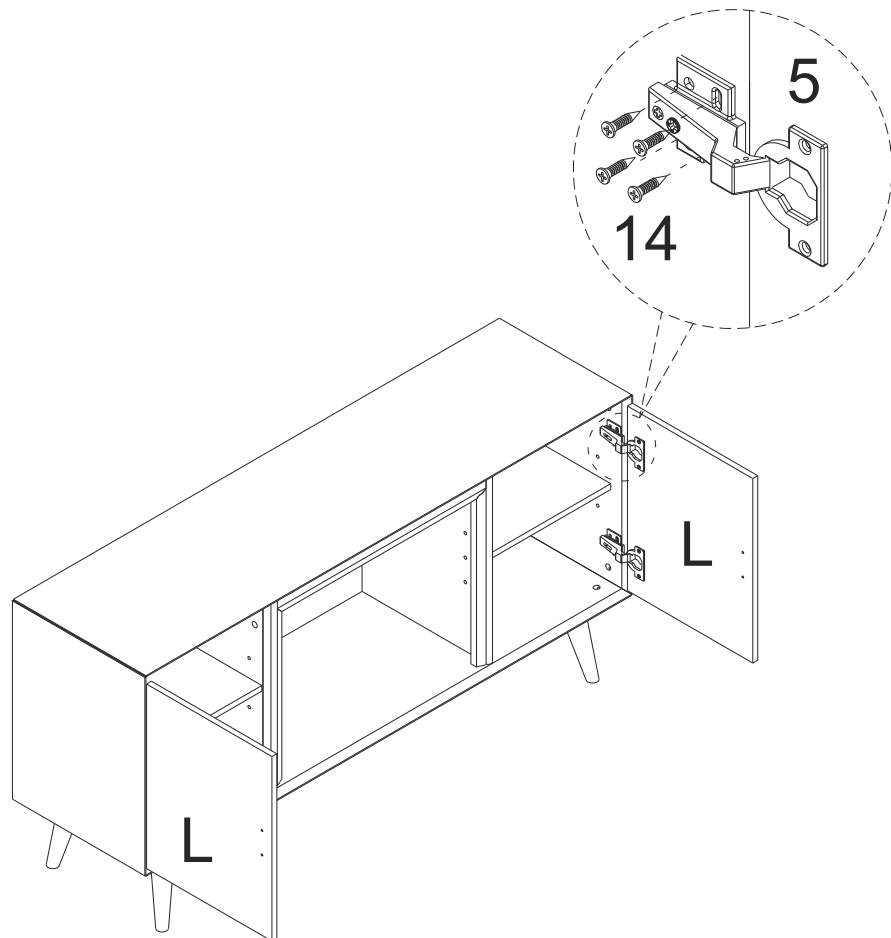
5		X4
14		X8



Attach Hinge(5) to Door(L) with Screw(14), then tight screw with screwdriver.

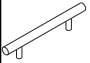

STEP 16

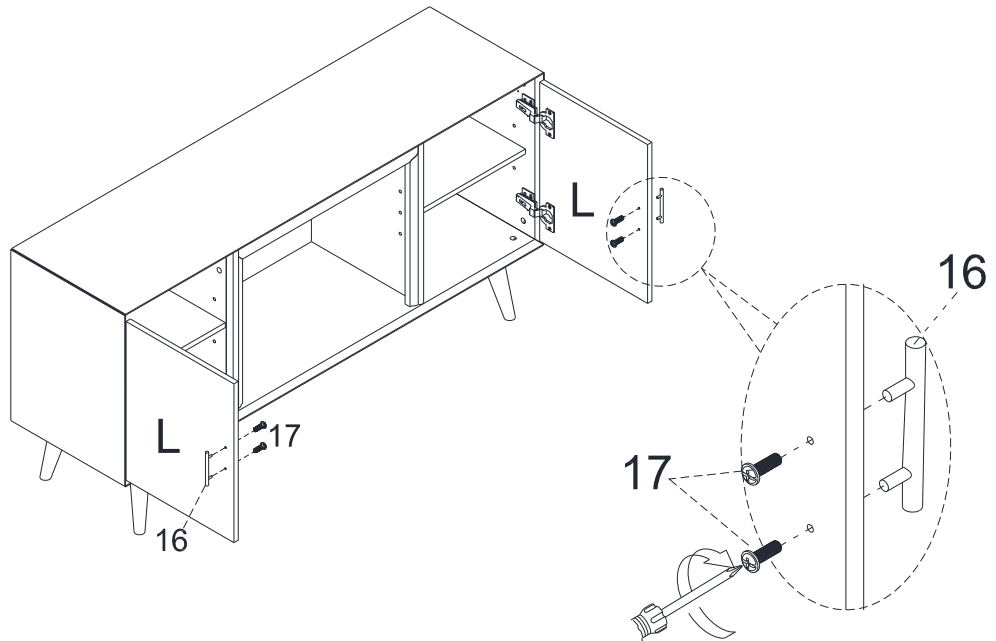
14		x16
----	---	-----



Attach Door(L) to the unit preassembly at step 14 with Screw (14), and tight screw with screwdriver

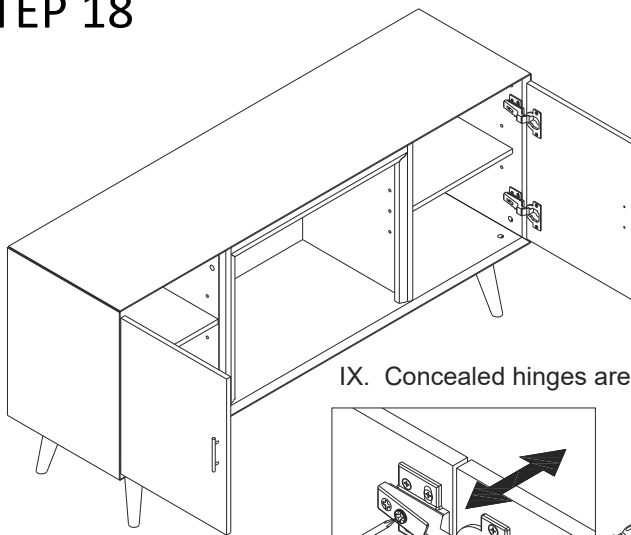
STEP 17

16		X2
17		X4

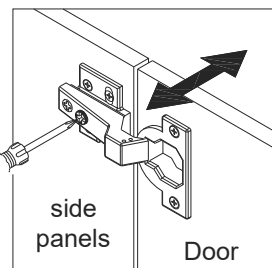


Attach Knob(16) to Door(L) with Blot (17), and tight screw with screwdriver

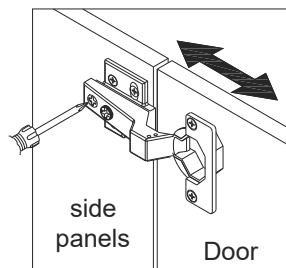
STEP 18



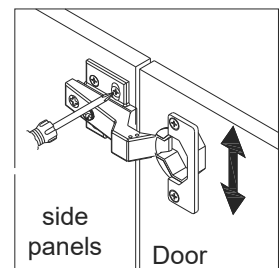
IX. Concealed hinges are three-way adjustable.



Horizontal by
screw adjustment



In-and-Out
by loosening the hinge-arm
mounting screw or via cam
adjustment

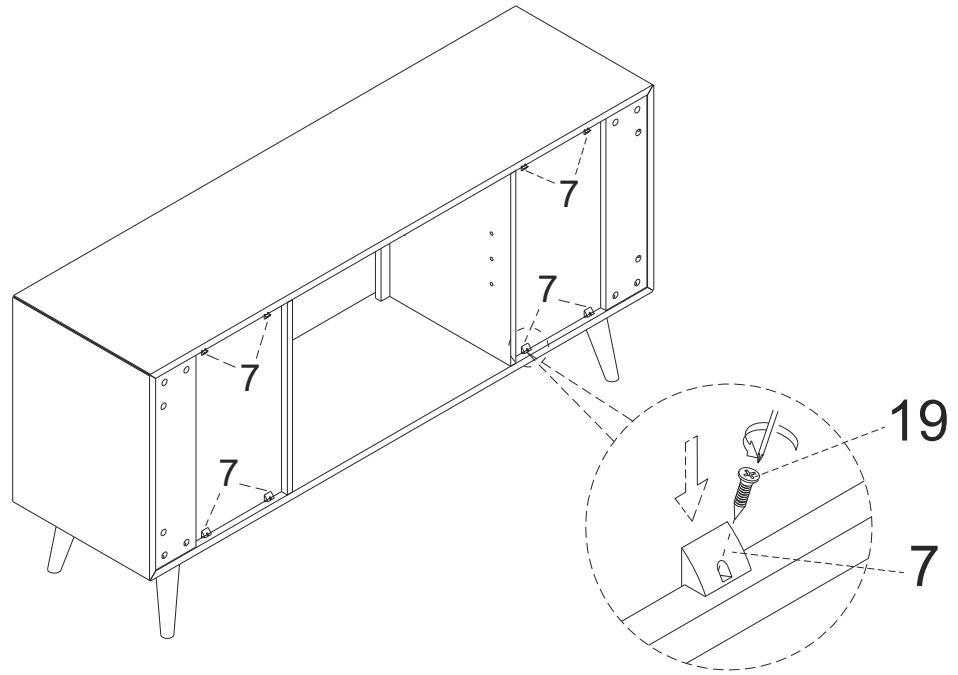


Vertical
Via slots in the mounting
plate or via cam adjustment

Close the door , if the doors are not at the perfect position , please adjust it as shown.

STEP 19

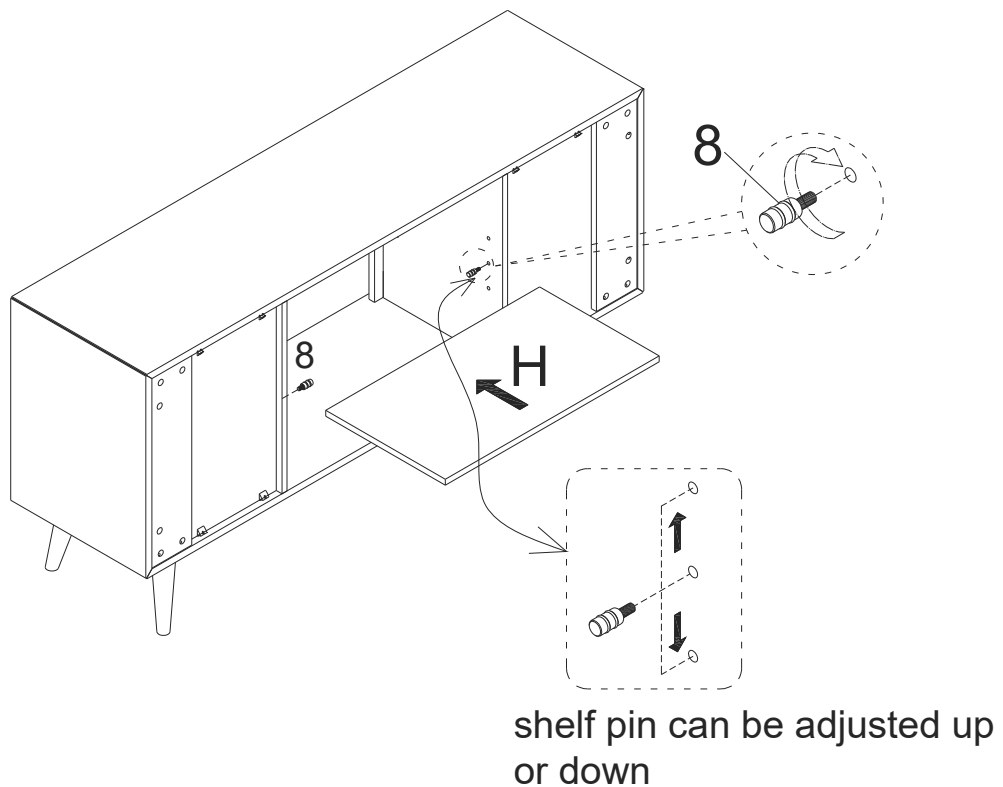
7		X8
19		X8



Attach Button(7) to the unit preassembly at step 17 with screw (19), and tight screw with screwdriver

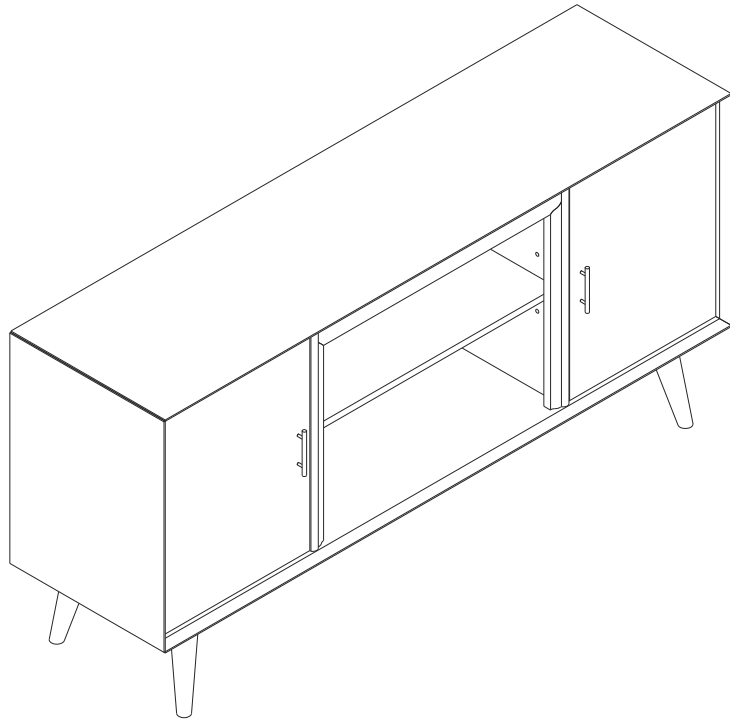
STEP 20

8		X4
---	--	----



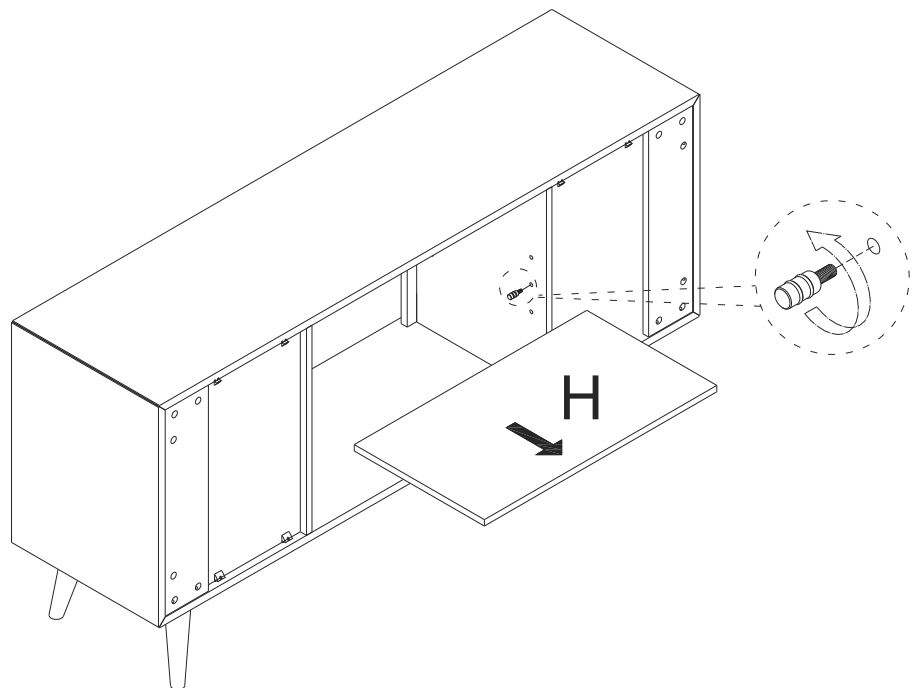
Insert Shelf Pin(8) to preassemble unit at step 19 , and attach Adjustable Shelf (H) to it.

STEP 21






Finish as shown.

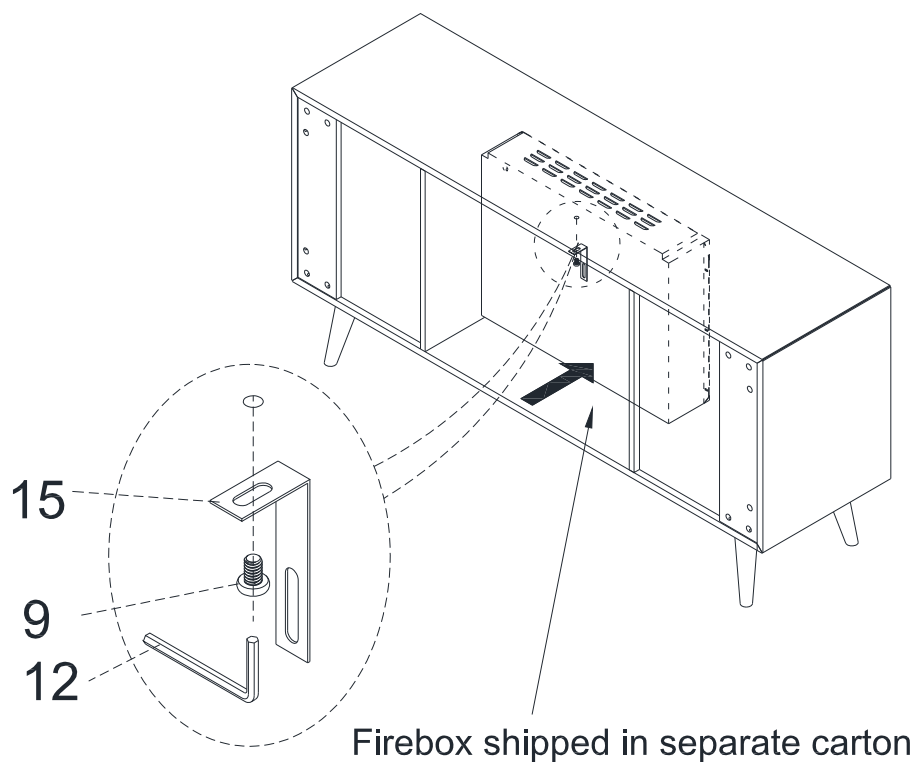
STEP 22



Remove the middle shelf panel and shelf pin as shown.

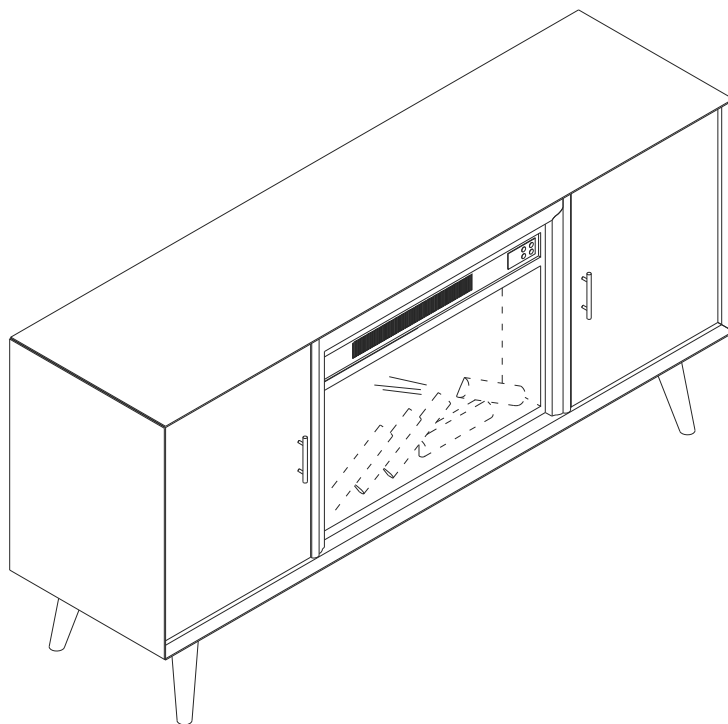
STEP 23

9		X1
12		X1
15		X1




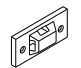
Attach Firebox to the body. with Bracket(15) and Bolt(9), tight it with Allen Wrench(12).

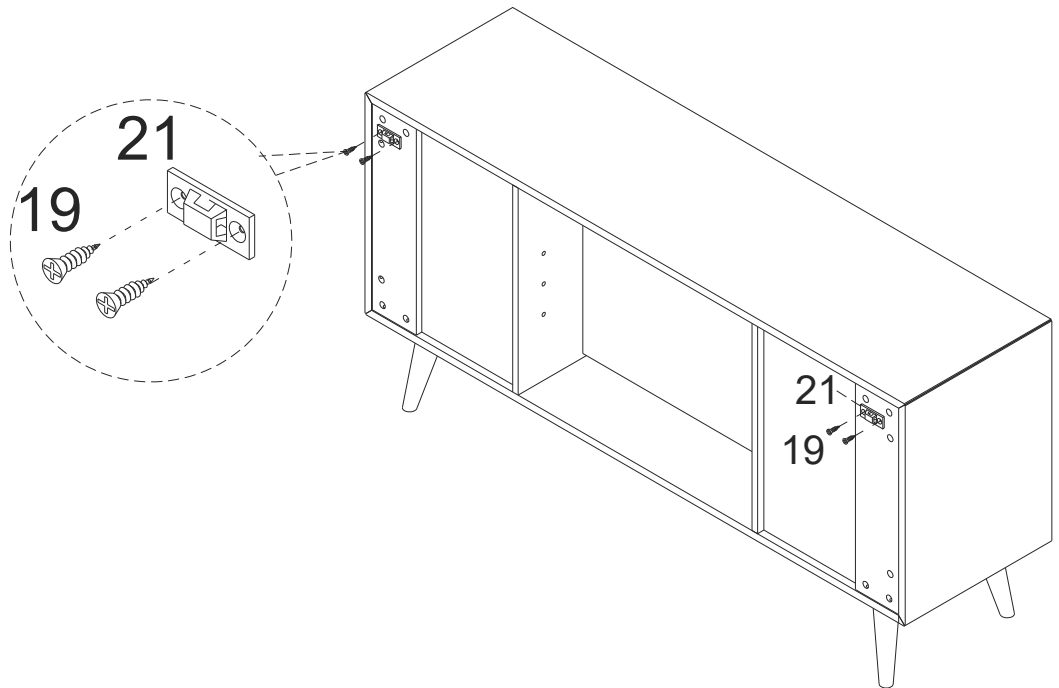
STEP 24



Finish as shown.



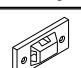
STEP 25

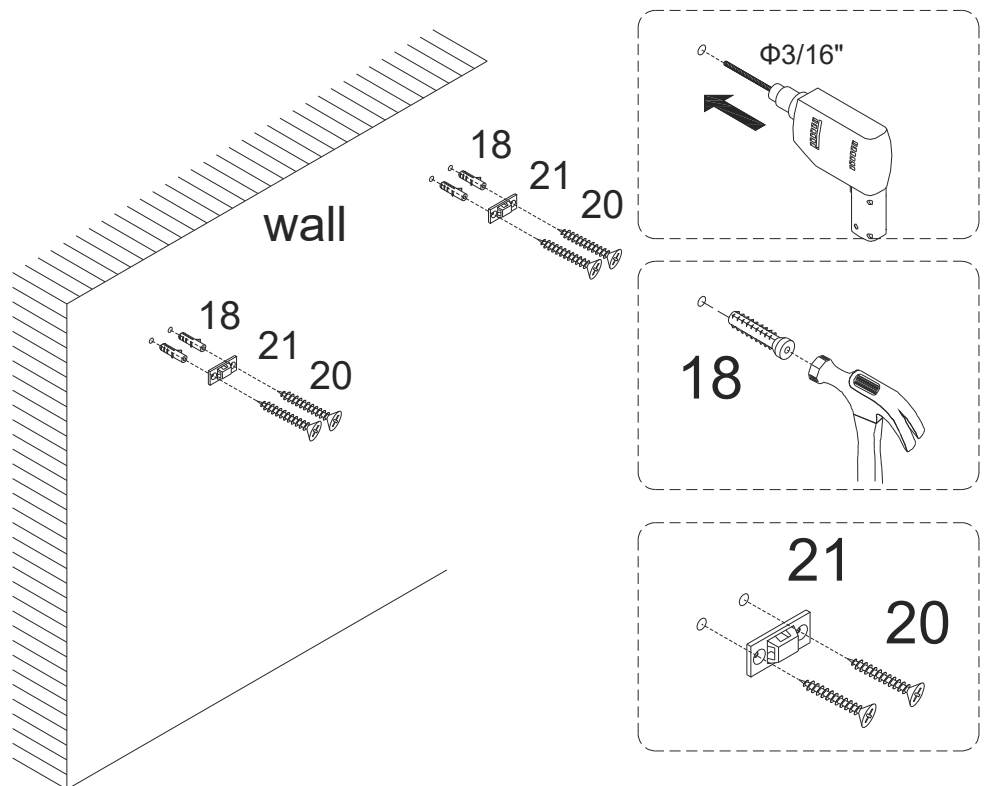
19		X4
21		X2



Attach Bracket(21) to the body with Screw (19), and tight screw with screwdriver

STEP 26

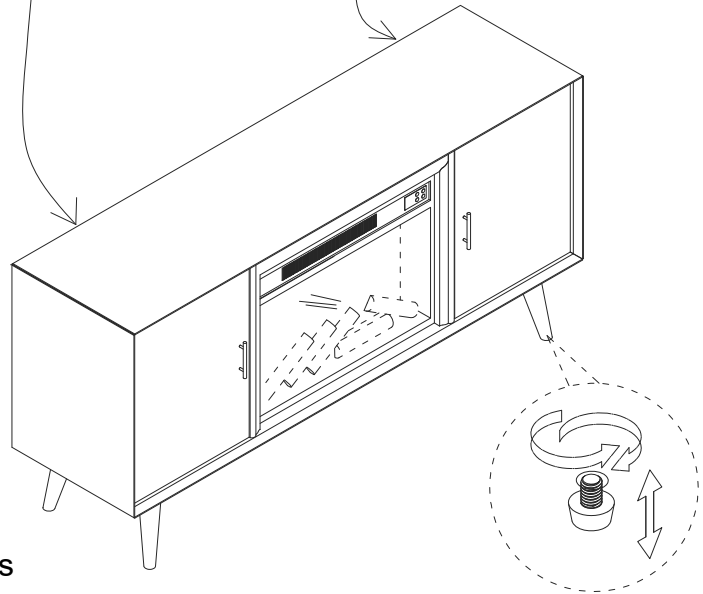
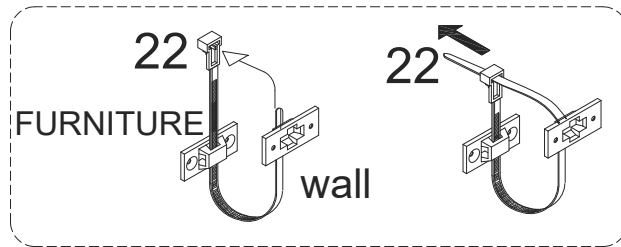
18		X4
20		X4
21		X2



Drill hole on the wall , and insert Anchor(18) , then attach Bracket(21) to it with Screw(20), tight screw with screwdriver.

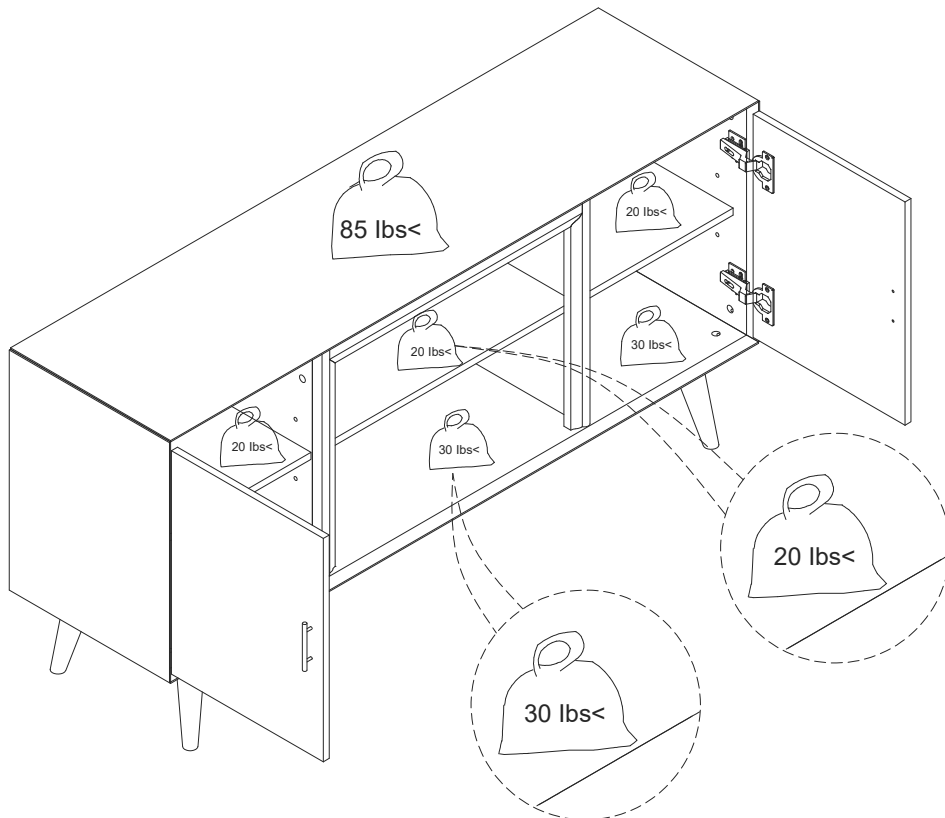
STEP 27

22		X2
----	---	----



Attach the unit to the wall with Tie(22)
Anti-tipping hardware must be used for this
product to avoid tipping and injury.If the unit is
not stable , please adjust the adjustable level.

STEP 28



MAINTAINANCE AND WARNING

- Keep furniture away from heat.
- Do not clean furniture with harsh cleansers or polish. Do not use detergents, Solvents, abrasives, spray packs or leather cleaner. Use non-color mild soap with warm water clean spills(Mix 1:10 soap to water)
- Do not place furniture under direct sunlight, material will possibly fade over time.
- Do not use on site dry Cleaning machine.
- Children should not climb or jump on the furniture.
- Do not write on furniture without a padded barrier to protect the surface.
- Not for commercial use, For residential use only.
- The maximum load is 85 LBS.

WARRANTY

We strive to offer high-quality products, and we also try our best to satisfy each and every customer that orders from us with product or service as needed. We provide 30 days warranty starting from the time you receive the item. Each customer must provide a record of their order such as the order number, or item receipt for any items that are out of the warranty period you may also still receive replacement parts by purchasing them with our company if they are available.

Are you having difficulty with assembly? Missing parts? Please send email with your order No to customerservice@hulalahome.com

For return, please check the return policy with the retailer or market place you bought from. Appreciate your purchasing from us. Pop up your life by our furniture piece!