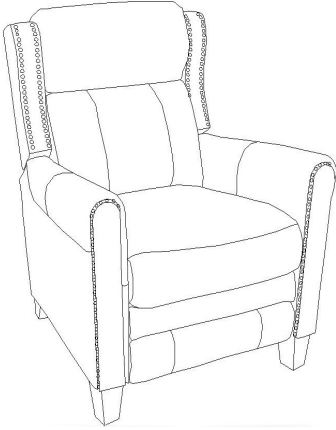


Assembly Instructions

ITEM NO:Z2LRC0002

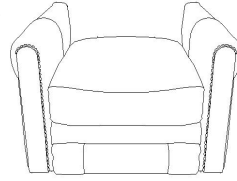
NOTE:

This brochure contains IMPORTANT safety info. Please read and keep for future reference.



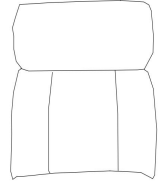
PARTS LIST

A*1



Seat

B*1

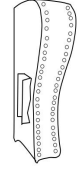


Back

C*2



Left side facing wing



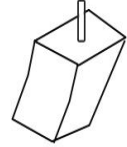
Right side facing wing

D*2



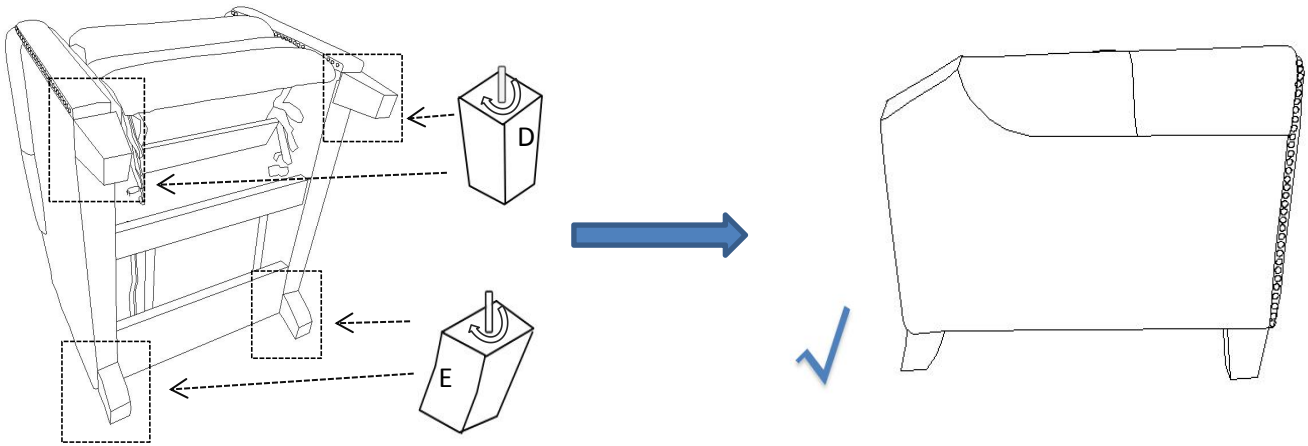
Front side leg

E*2

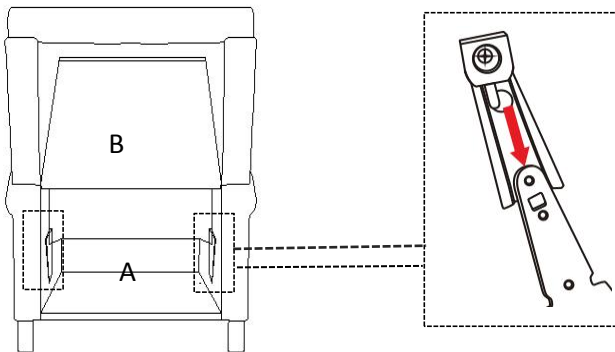


Back side leg

Step1

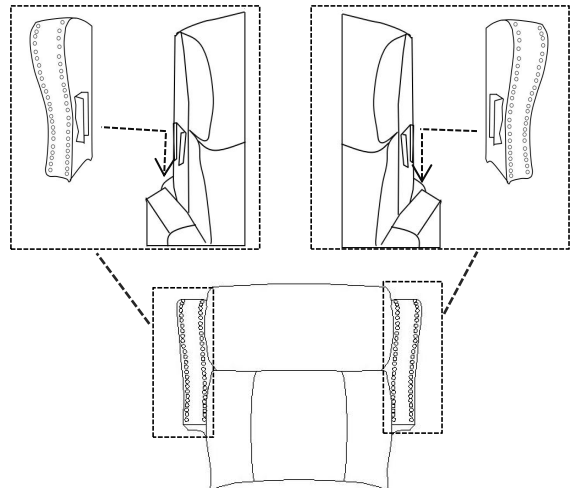


Step2



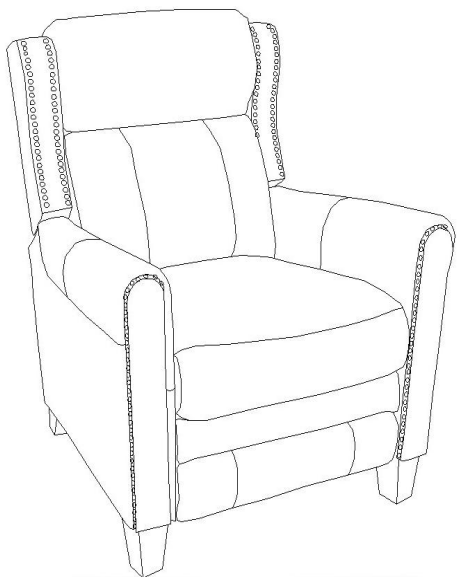
Step3

Left side facing wing Right side facing wing



Step4

Upright position



Reclined position

