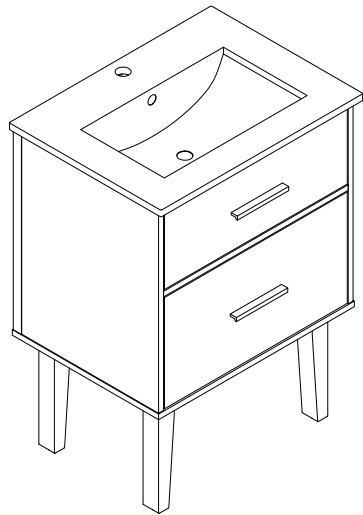
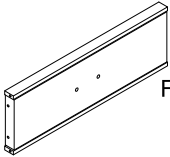
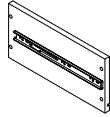
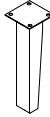
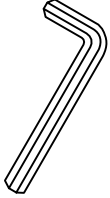

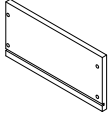
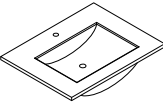


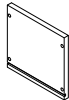
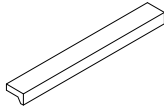
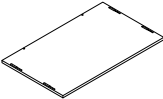
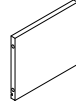
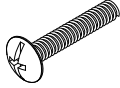
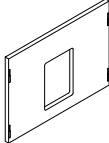
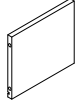
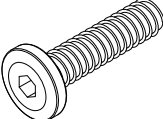
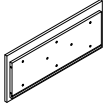
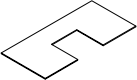
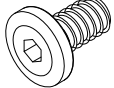


VTSJ0335 Argolis 24" Single Bathroom Vanity Set



	A X1 Front Frame		G X1 Drawer Left Side Panel		M X4 Legs		5 X1 Allen Wrench M4
	B X1 Left Side Panel		H X1 Drawer Right Side Panel		O X1 Sink		6 X2 Tipping Restraint Hardware Kit
	C X1 Right Side Panel		I X2 Drawer side panel		1 X2 Handle		
	D X1 Bottom Panel		J X2 Side drawer back panel		2 X4 Handle Screw Ø5/32" x 7/8"		
	E X1 Back Panel		K X1 Middle drawer back panel		3 X20 Allen Bolt Ø1/4" x 1-1/8"		
	F X1 Drawer Front Panel		L X1 Drawer Bottom Panel		4 X16 Allen Bolt Ø1/4" x 1/2"		

TOOLS EXCLUDED: Phillips Screwdriver



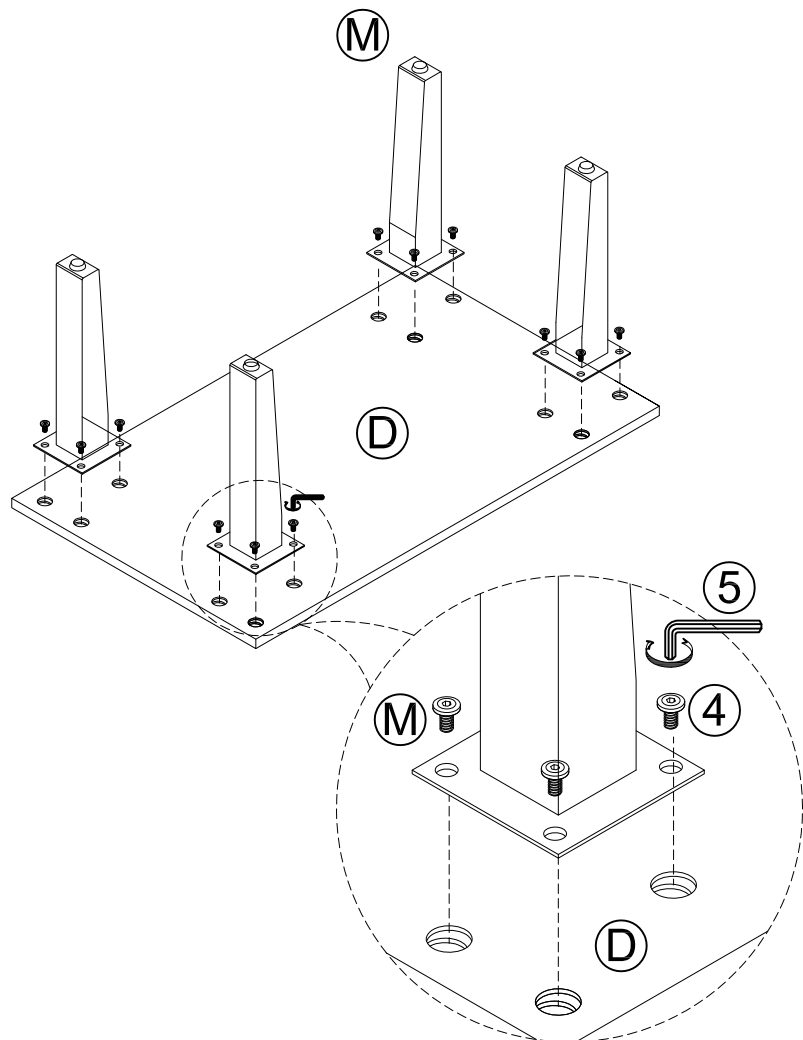
Caulking Gun



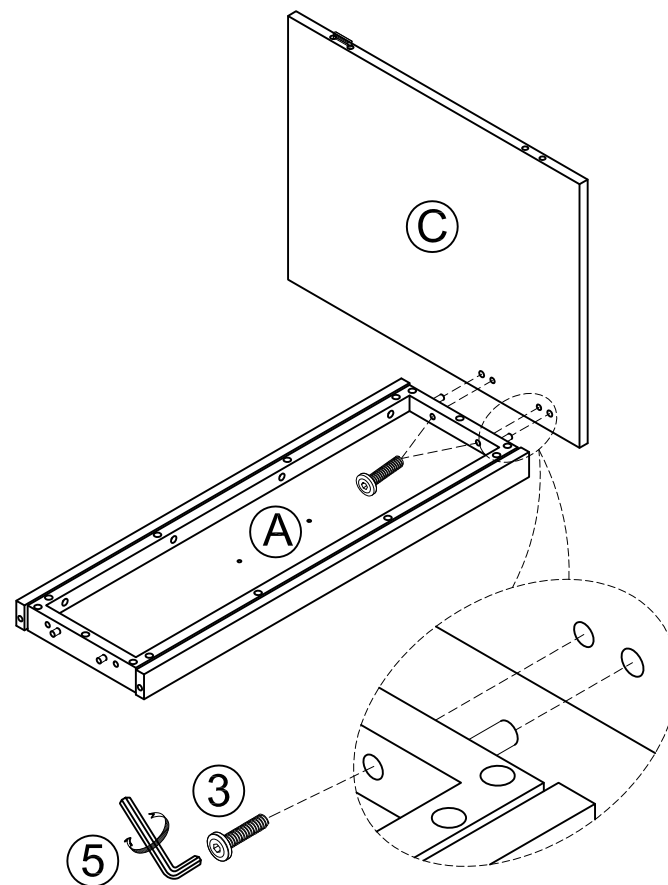
This gun customer need to prepare



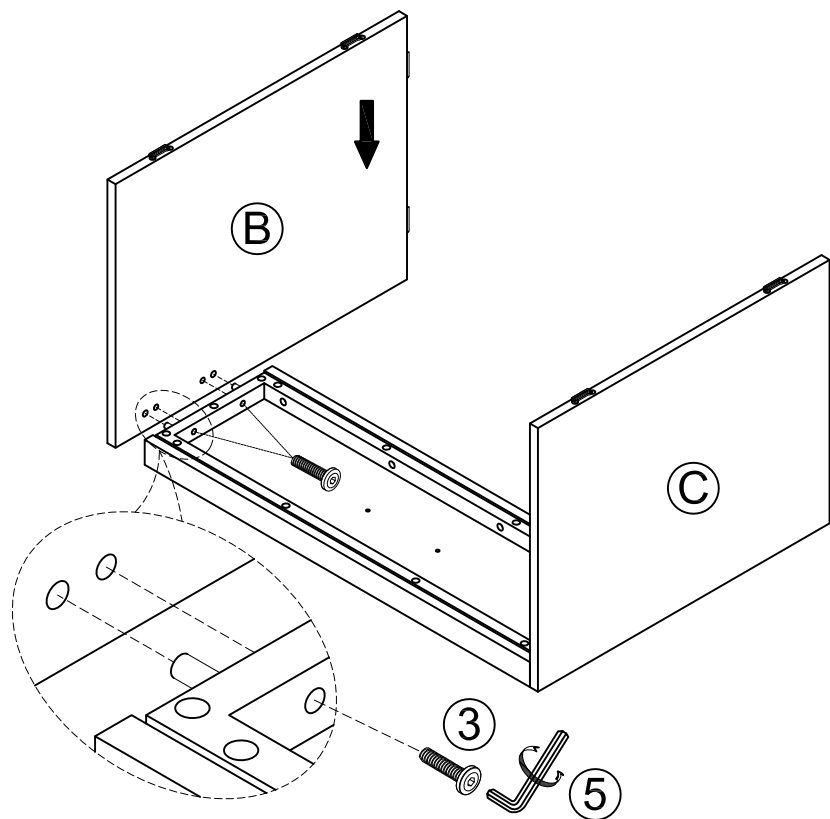
Step 1. Attach the legs (M) to the bottom panel (D) by using the Allen bolts $\text{\O}1/4'' \times 1/2''$ (4) and the Allen wrench (5).



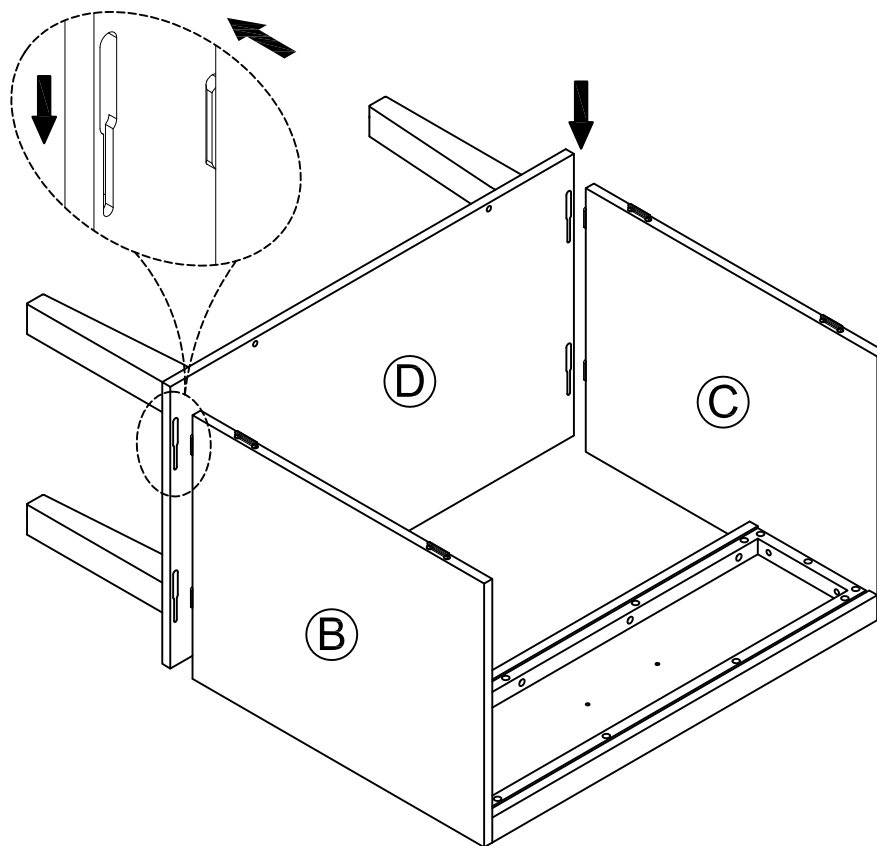
Step 2. Attach the front frame (A) to the side panels (C) by using the Allen bolts (3) and the Allen wrench (5).



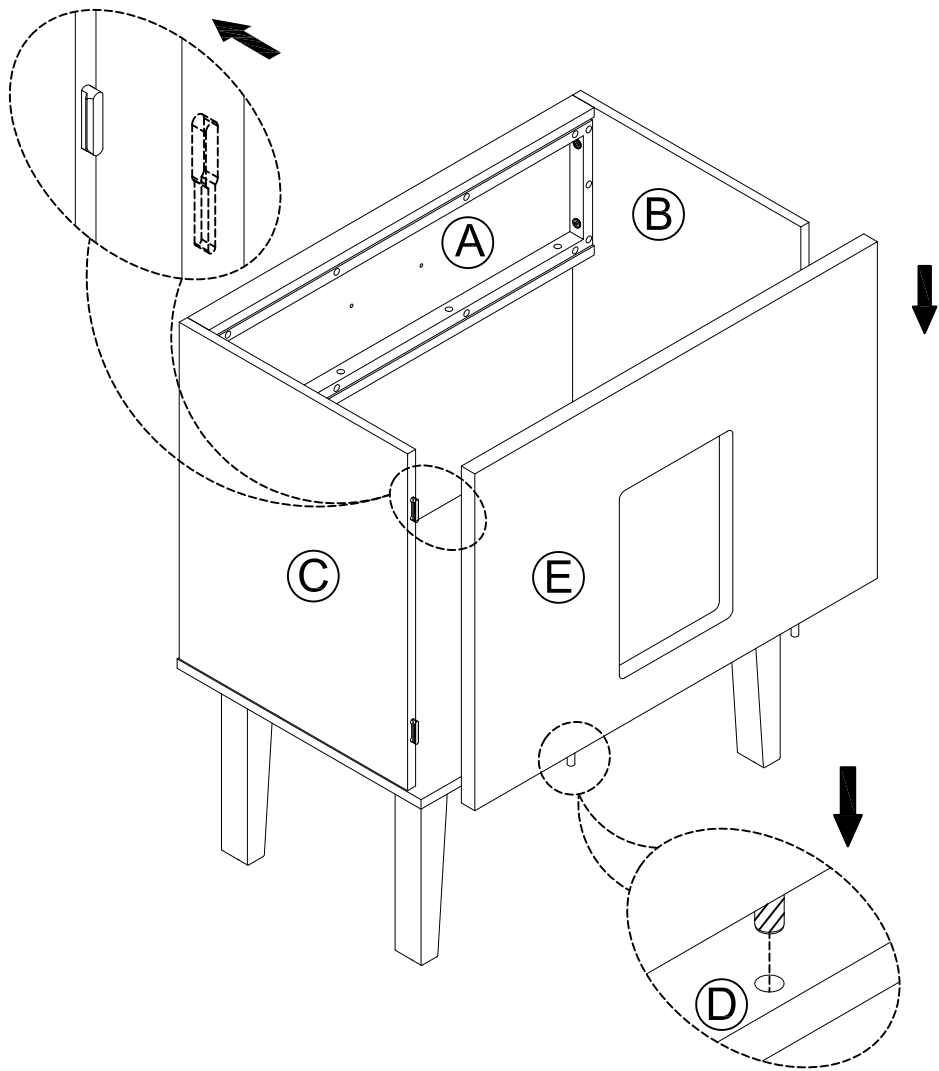
Step 3. Attach the front frame (A) to the side panels (B) by using the Allen bolts (3) and the Allen wrench (5).



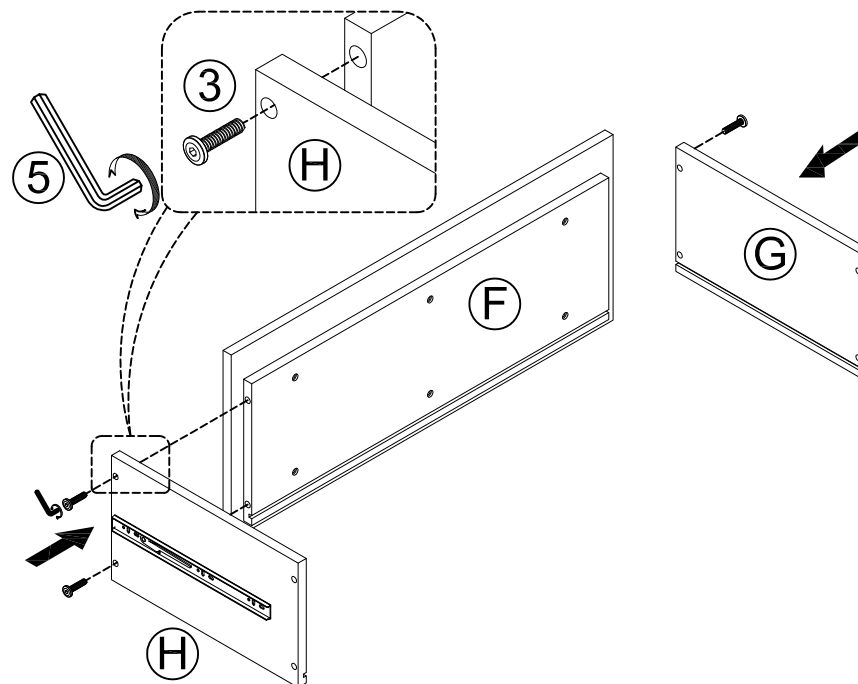
Step 4. Attach the side panels (B/C) to the bottom panel (D) by placing the plastic pieces into the slots and toward down.



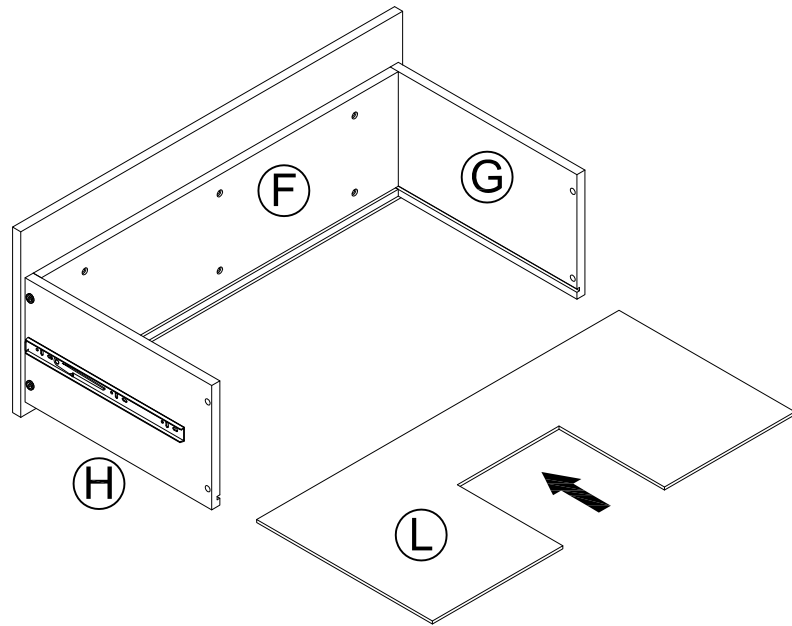
Step 5. Attach the back panel (E) to the side panels (B,C) by placing the plastic pieces into the slots and toward down.



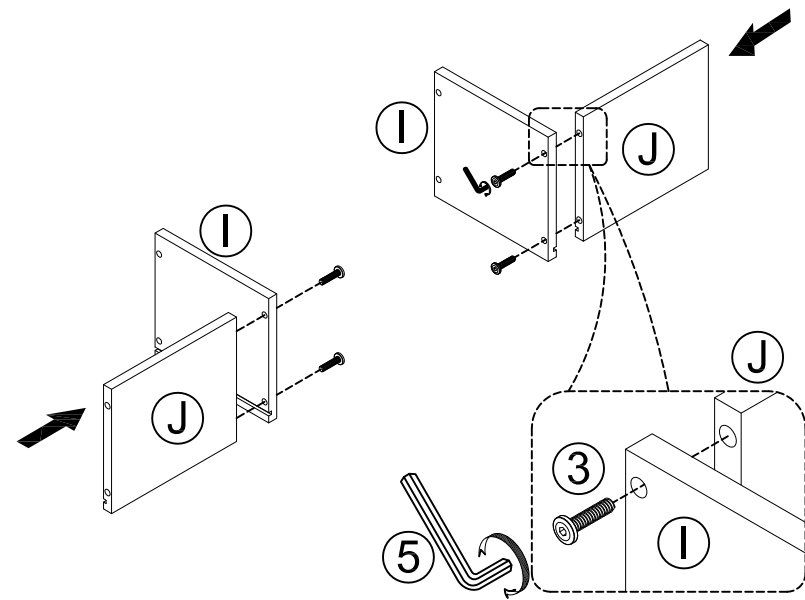
Step 6. Attach the left/right side panel (G,H) to the drawer front panel (F) by using the Allen bolts $\text{\O}1/4'' \times 1-1/8''$ (3) and the Allen wrench (5).



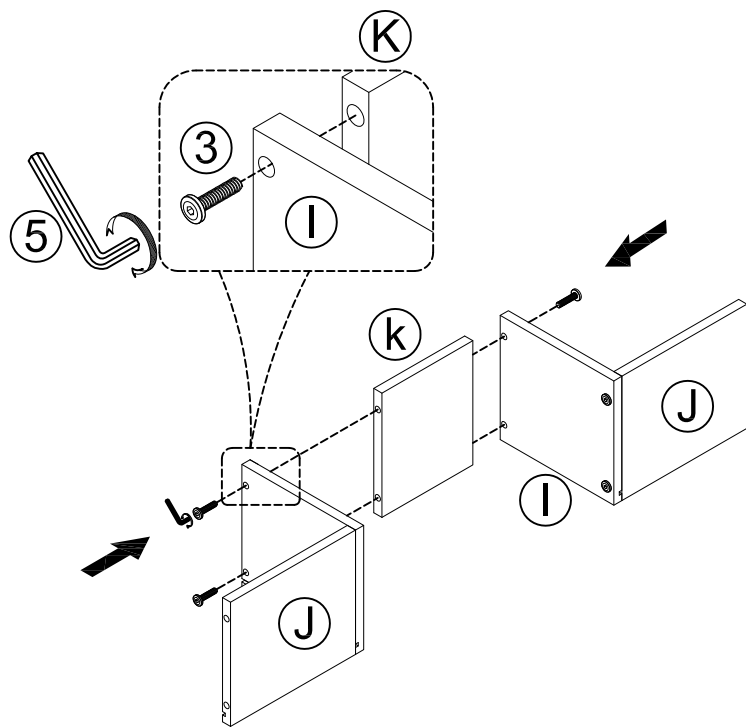
Step 7: Slide the drawer bottom panel (L) into place.



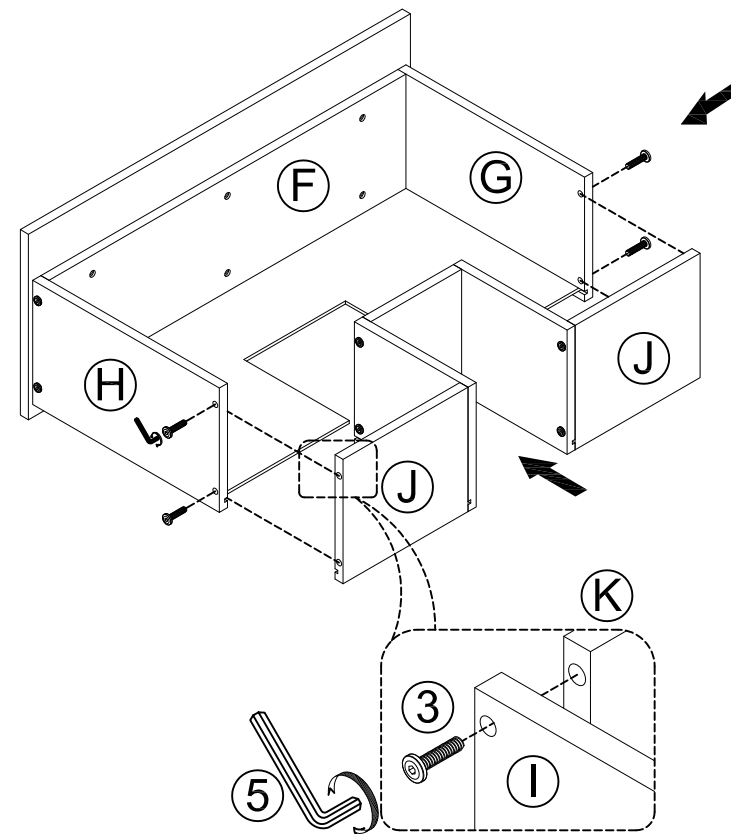
Step 8: Attach the Inner drawer side panel (I) to the Side drawer back panel (J) by using the Allen bolts Ø1/4" * 1-1/8" (3) and the Allen wrench (5).



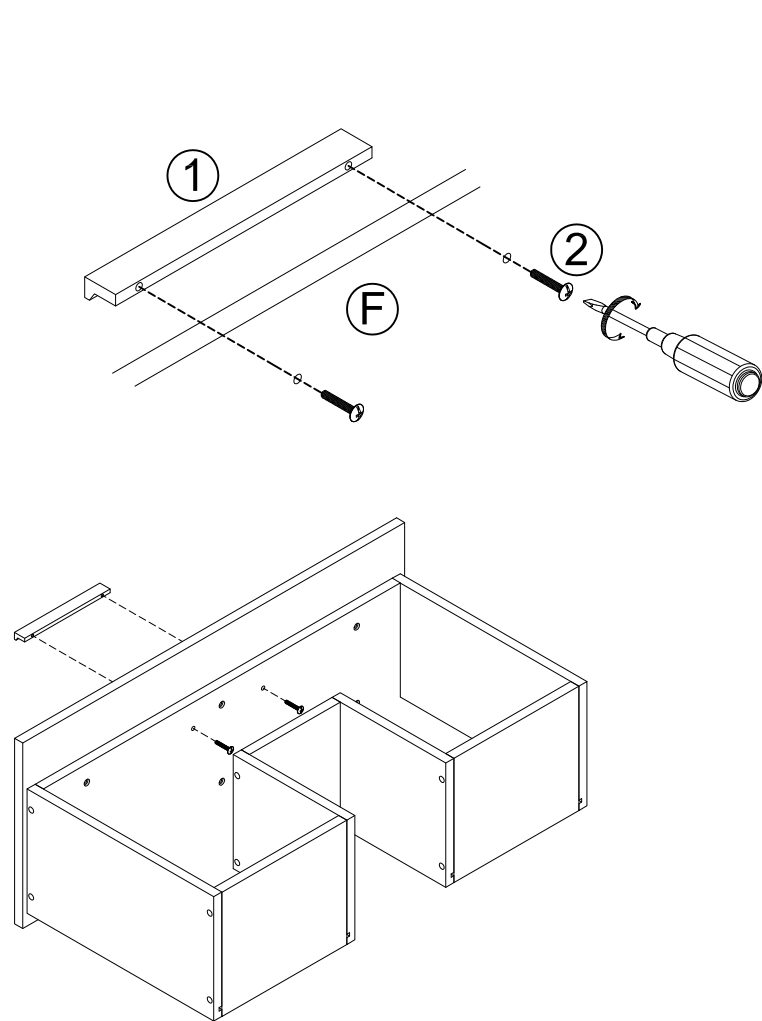
Step 9. Attach the Inner drawer side panel (I) to the Middle drawer back panel (K) by using the Allen bolts Ø1/4"*1-1/8" (3) and the Allen wrench (5).



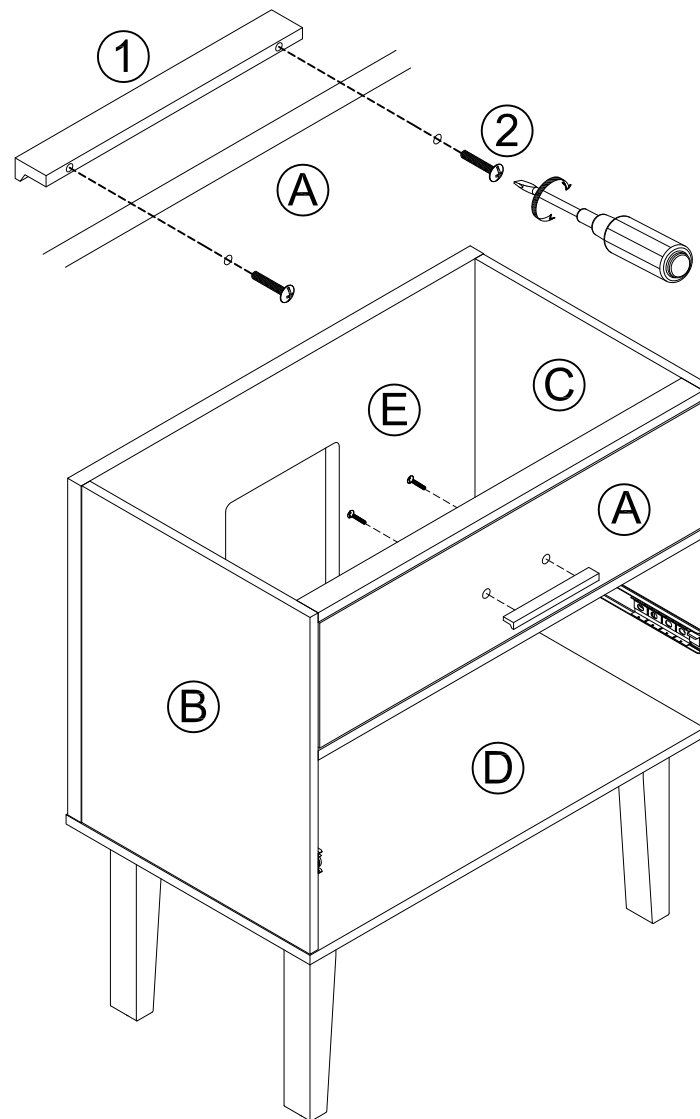
Step 10. Attach the left/right side panel (G,H) to the Side drawer back panel (J) by using the Allen bolts Ø1/4"*1-1/8" (3) and the Allen wrench (5).



Step 11. Attach the handle (1) to the drawer front panel (F) by using the Handle screw (2) and the Phillips screwdriver.

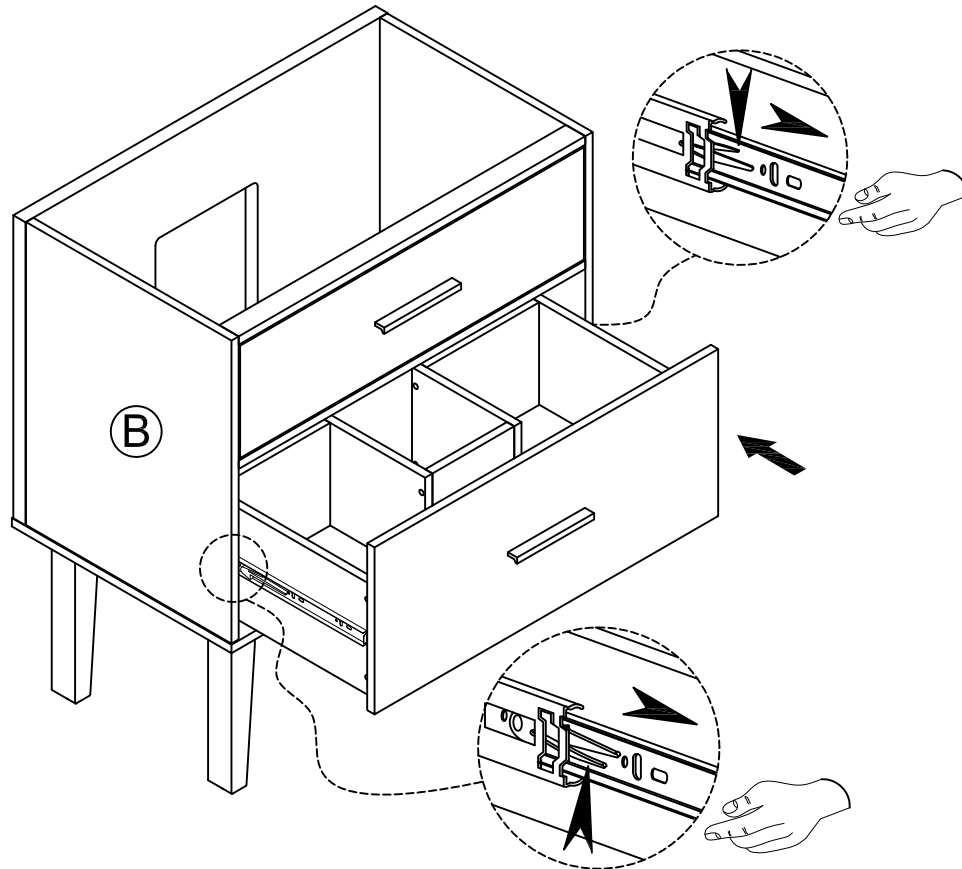


Step 12. Attach the handle (1) to the front frame (A) by using the Handle screw (2) and the Phillips screwdriver.



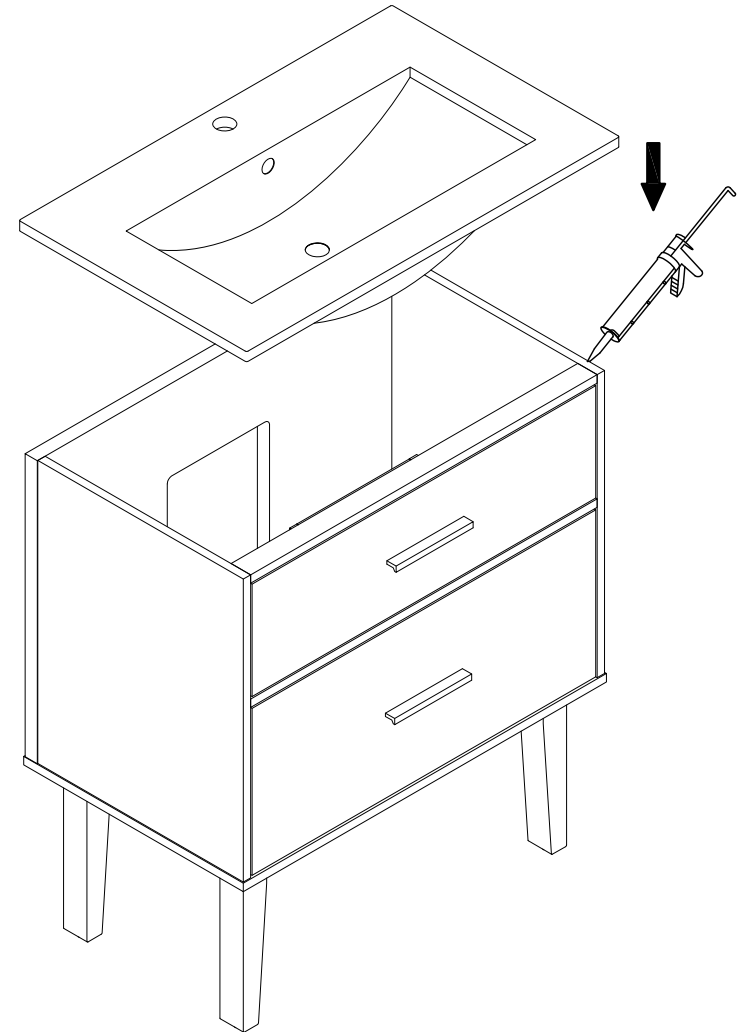
Step 13. Place the drawers into the vanity frame on the metal tracks and slowly work the drawer into place until fully closed.

To remove the drawers, use the lever release. Pull the drawer out as far as possible, and you'll see a plastic lever on each side. Pull one lever up and push the other down to remove the drawer.



Step 14. Secure the sink (O) to the mounting blocks by using the caulking gun.

Note: make sure the sink is securely mounted.



Step 15. Attach a bracket securely to the back top rail of the Single Bathroom Vanity Set using the 3/4" screw provided, through the smaller hole.

Locate the other bracket on the wall over a wall stud and 2 inches below the mounting bracket secured to the back of your unit.

Place the Single Bathroom Vanity Set into position so both mounting brackets are vertically inline.

Lace the end of the restraint strap through the larger hole in each mounting bracket. Bring both ends together and slice the flat end through the locking end and draw it through until all slack is removed.

Confirm that the strap is securely laced and locked.

