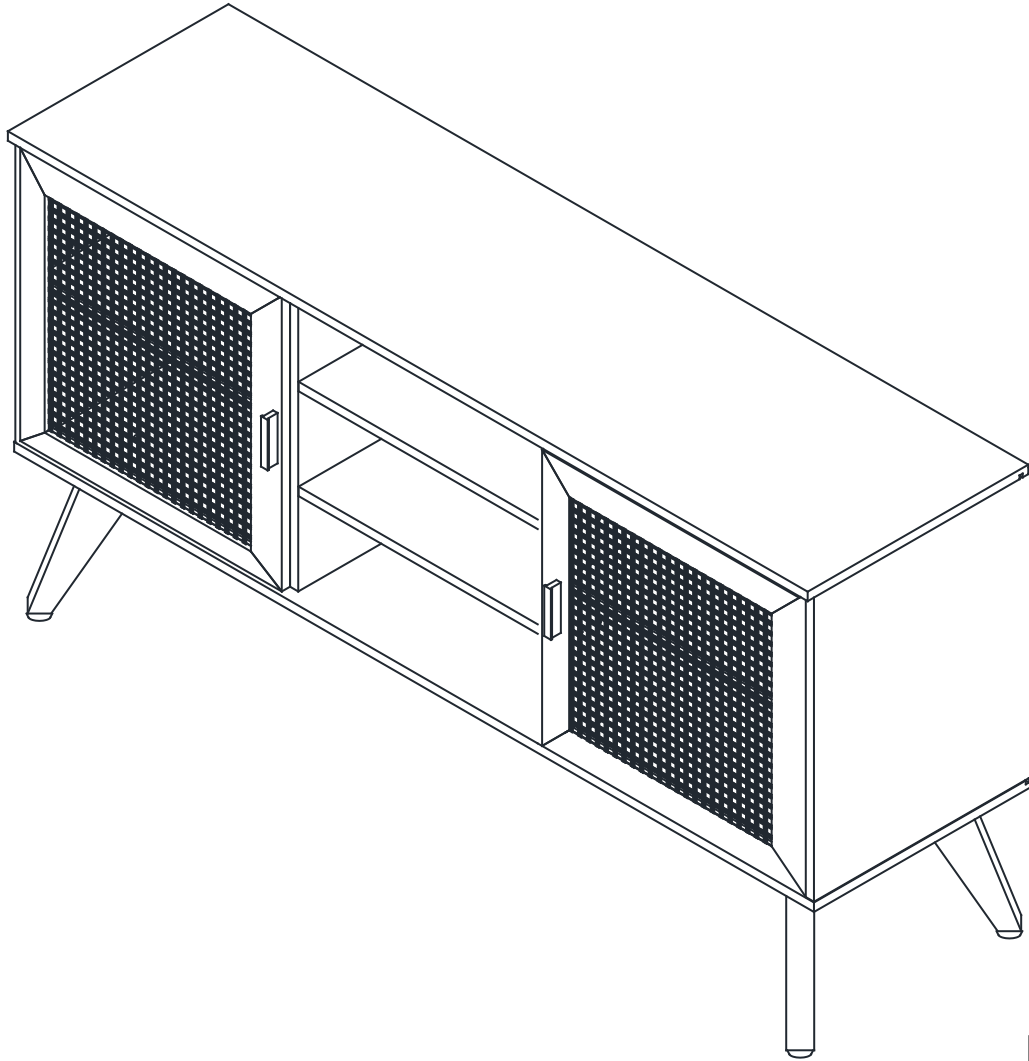
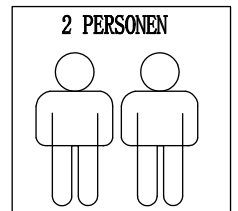


**HULALA**  
H O M E



**ITEM NO. TVSBSD0454**



NOTE:

This brochure contains IMPORTANT safty info. Please read and keep for future reference.

# MAINTAINANCE

## AND WARNING

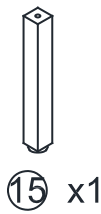
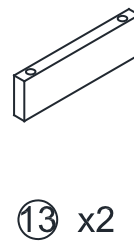
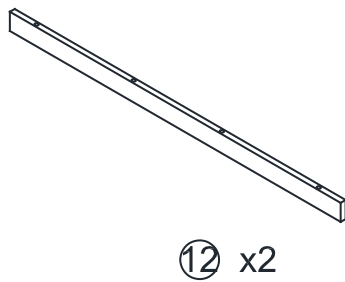
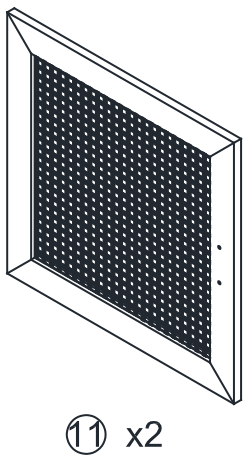
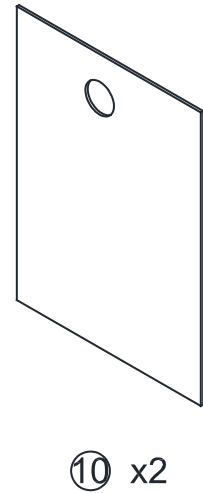
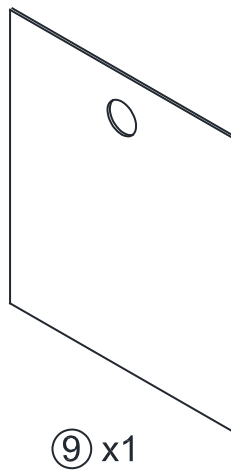
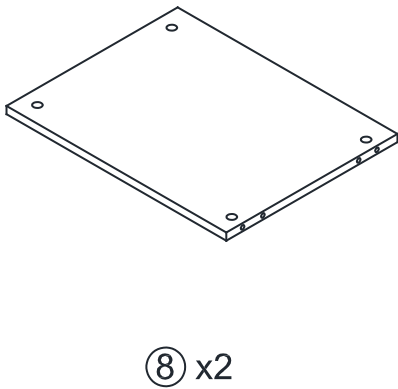
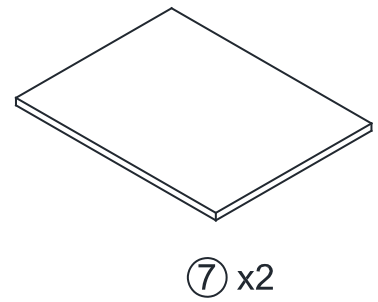
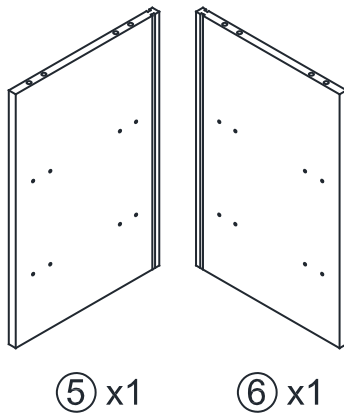
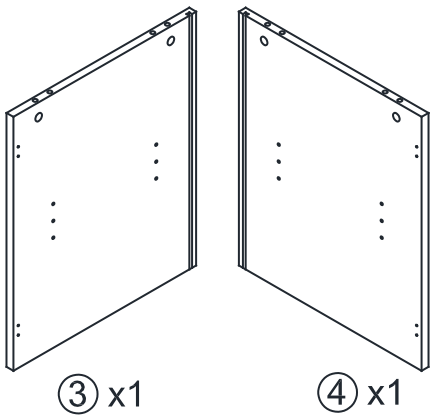
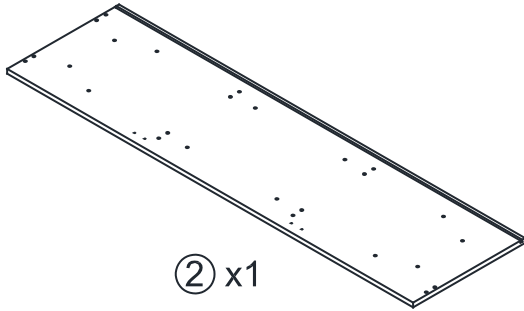
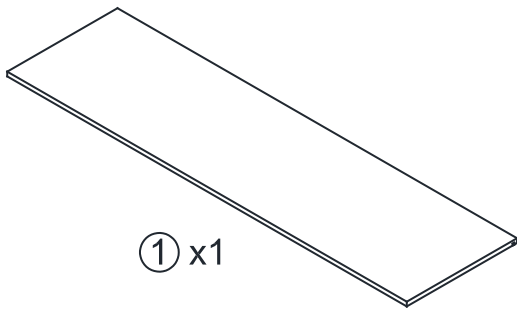
- Keep furniture away from heat.
- Do not clean furniture with harsh cleansers or polish. Do not use detergents, Solvents, abrasives, spray packs or leather cleaner. Use non-color mild soap with warm water clean spills(Mix 1:10 soap to water)
- Do not place furniture under direct sunlight, material will possibly fade over time.
- Do not use on site dry Cleaning machine.
- Children should not climb or jump on the furniture.
- Do not write on furniture without a padded barrier to protect the surface.
- Not for commercial use, For residential use only.

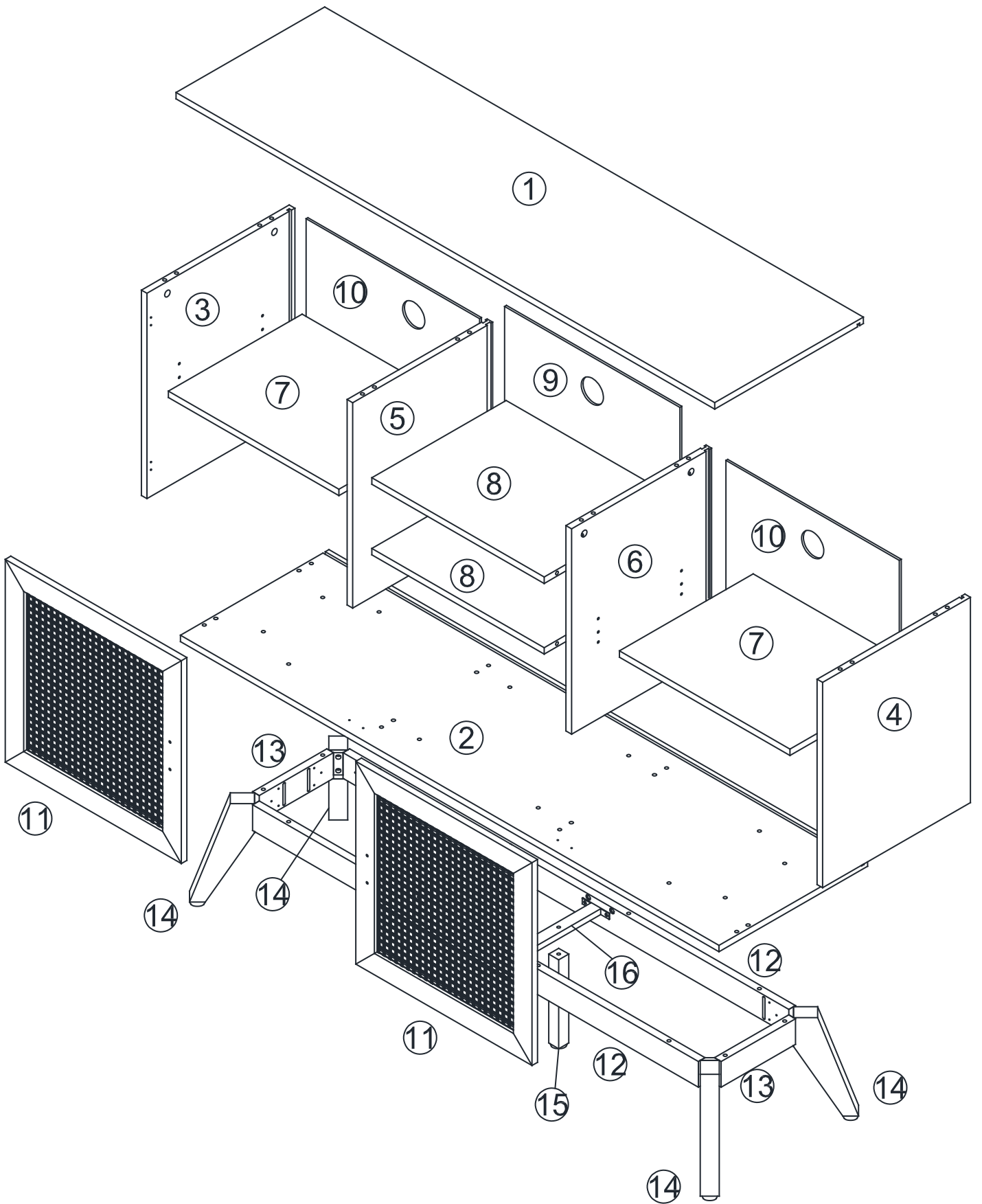


Weight Limitation

**80LBS**













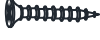












# PARTS LIST














Explosive View

# HARDWARE LIST

A	x16	B	x16	C	x8	D	x24	E	x 78	F	x18	G	x2	H	x4
															
M6*35mm		Ø15mm		M7*50mm		Ø8*30mm		Ø3.5*14mm						M4*25mm	
I	x4	J	x12	K	x1	L	x8	M	x4	N	x4	O	x16	P	x1
															
M6*12mm		M6*60mm		M6*30mm		M6*40mm		Ø4*35mm		M6*50mm				M4	
Q	x8	R	x4	S	x2	T	x4	U	x4	V	x4	W	x3		
															
X	x1														
															

## SPARE

A	x1	C	x1	E	x1	H	x1	I	x1	J	x1	K	x1	L	x1
															
M6*35mm		M7*50mm		Ø3.5*14mm		M4*22mm		M6*12mm		M6*60mm		M6*30mm		M8*40mm	
M	x1														
															
Ø4*35mm															

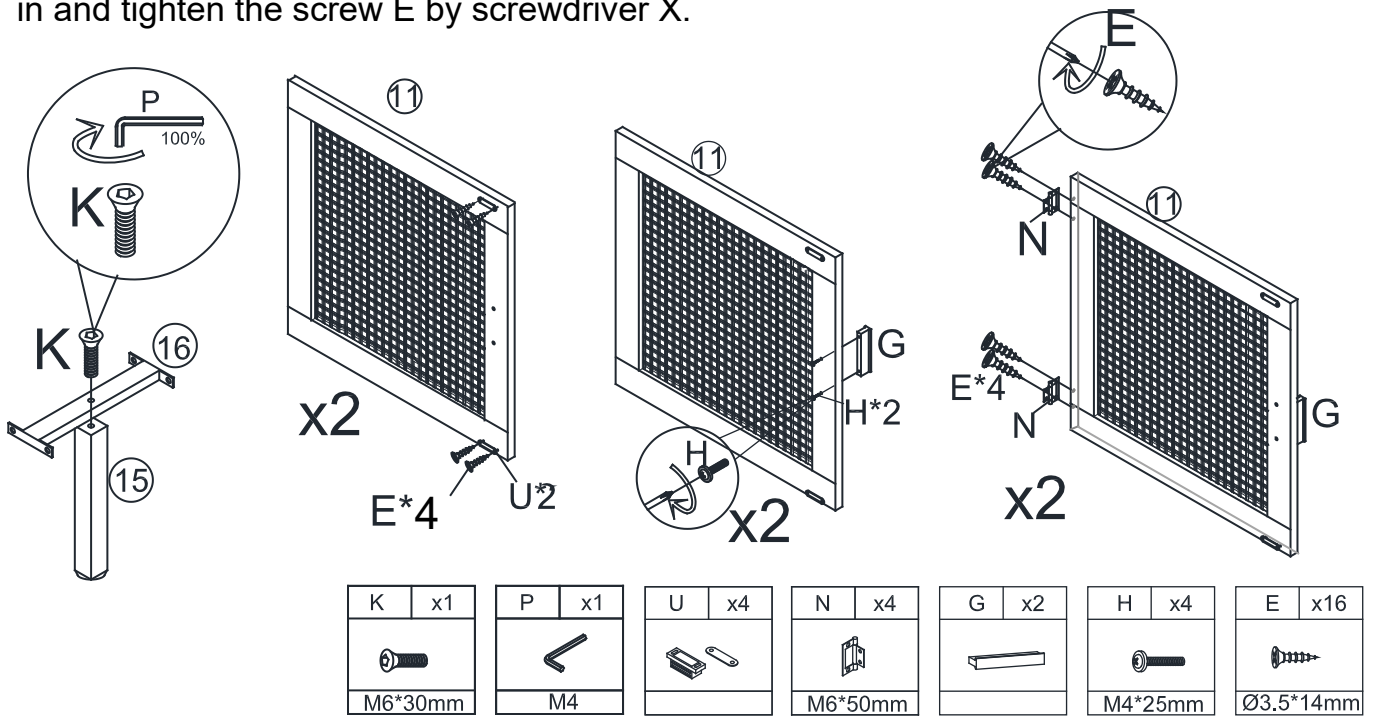
Be sure to check all packing material carefully for small parts, which may have come loose inside the carton during shipment.

# ASSEMBLY INSTRUCTIONS

## STEP 1

Preparation for middle leg and doors

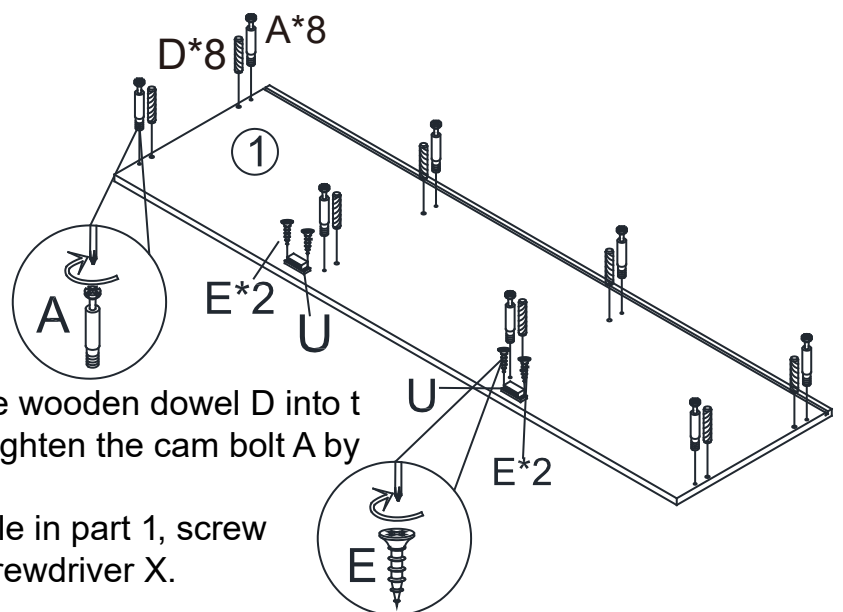
- 1) Assemble the middle leg. Align the hole in part 16 and the screw hole in part 15, screw in and tighten the screw K by allenkey P.
- 2) Attach the part U to the part 11. Align the hole in part U to the part 11, then screw in and tighten the screw E by screwdriver X.
- 3) Attach the part G to the part 11. Align the hole in part G to the part 11, then screw in and tighten the screw H by screwdriver X.
- 4) Attach the part N to the part 11. Align the hole in part N to the part 11, then screw in and tighten the screw E by screwdriver X.



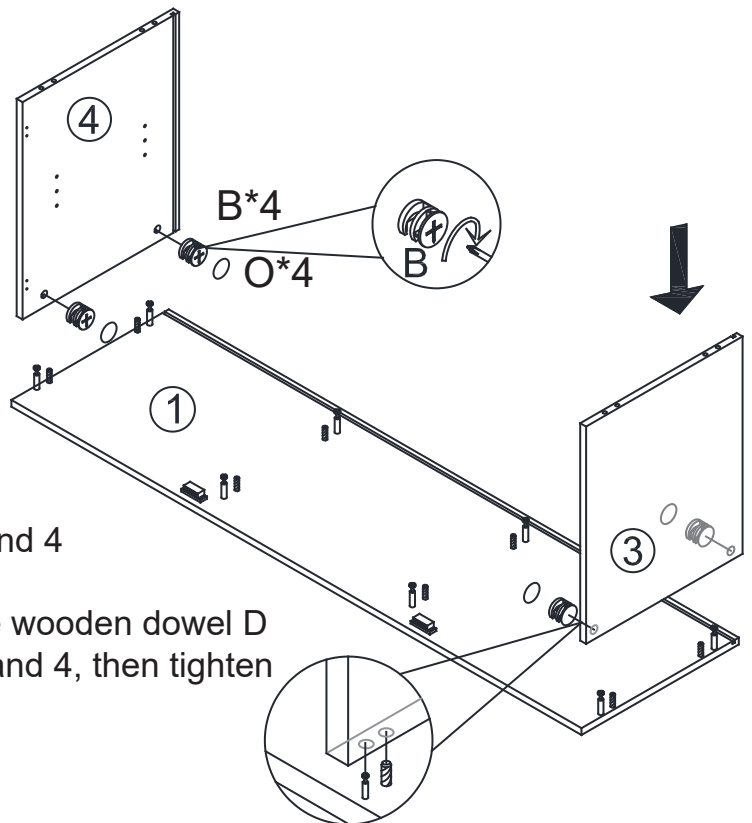
## STEP 2

PREPARE THE PART 1.

- 1) Align the hole in part 1, insert the wooden dowel D into the hole by hand; screw in and tighten the cam bolt A by screwdriver X.
- 2) Align the hole in part U to the hole in part 1, screw in and tighten the screw E by screwdriver X.



## STEP 3

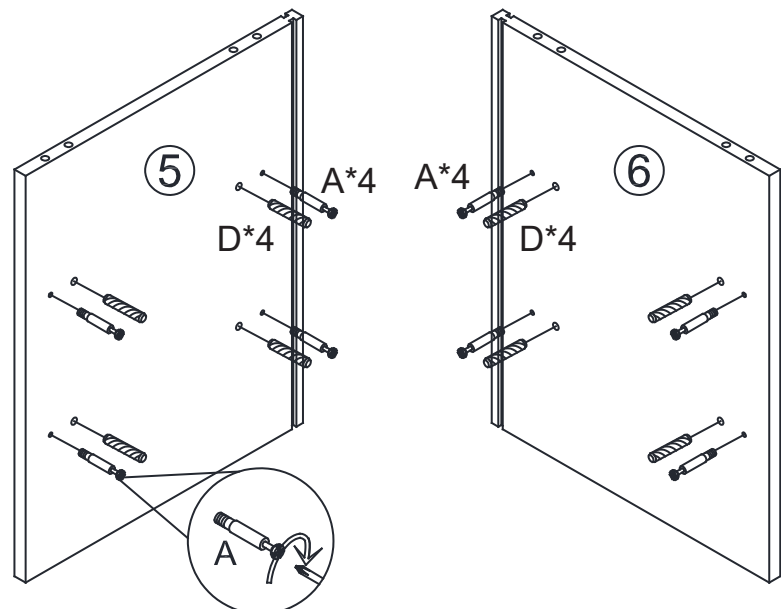


Attach the part 3 and 4 to the part 1.

- 1) Insert the nut B into the hole in part 3 and 4 as the picture show.
- 2) Align the hole in part 3 and 4, insert the wooden dowel D and cam bolt A in part 1 into the part 3 and 4, then tighten the nut B by screwdriver X.
- 3) Cover the nut by part O.

O	x4	B	x4
		Ø15mm	

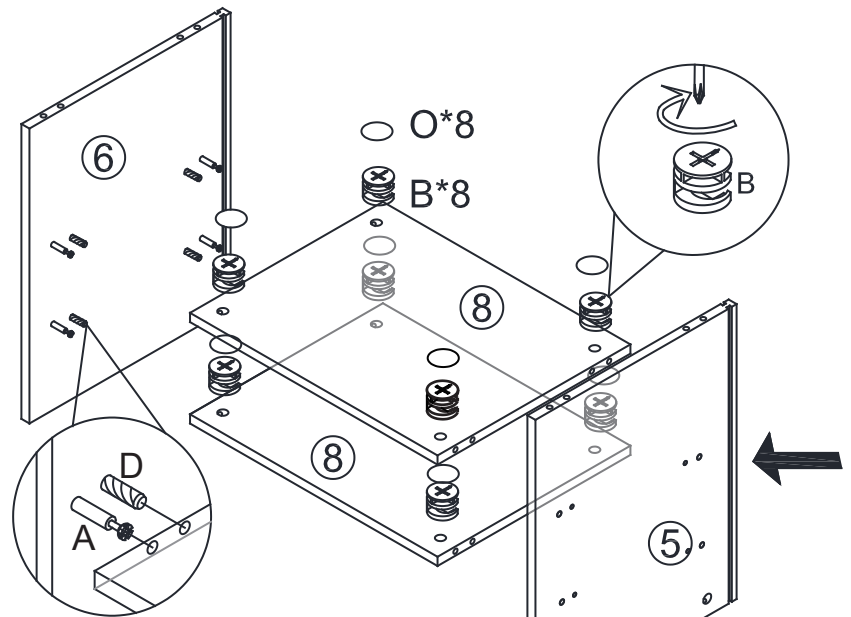
## STEP 4



Prepare the part 5 and 6. Align the hole in part 5 and 6, insert the wooden dowel D by hand, screw in and tighten the cam bolt A into part 5 and 6 by screwdriver X.

A	x8	D	x8
M6*35mm		Ø8*30mm	

## STEP 5



Connect the part 5 and 6 to the part 8.

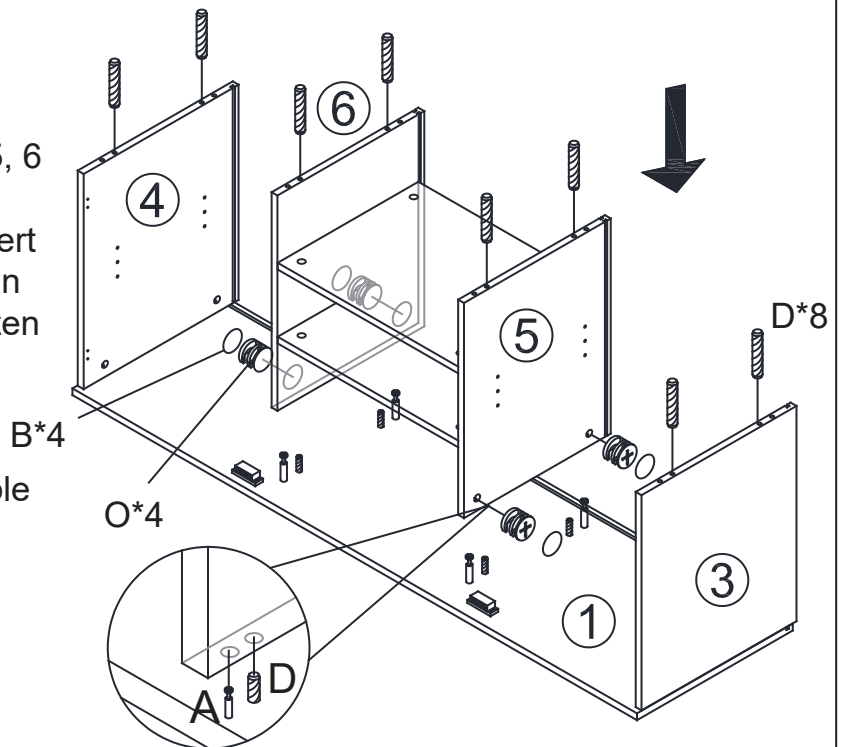
- 1) Insert the nut B into the hole in part 8 as the picture show.
- 2) Align the hole in the part 8, insert the wooden dowel D and cam bolt A in part 5 and 6 into the part 8, then tighten the nut B by screwdriver X.
- 3) Cover the nut B by part O.




O	x8	B	x8
			
		Ø15mm	

## STEP 6

Connect the part 5 and 6 to the part 1.

- 1) Insert the nut B into the hole in part 5, 6 as the picture show.
- 2) Align the hole in the part 5 and 6, insert the wooden dowel D and cam bolt A in part 1 into the part 5 and 6, then tighten the nut B by screwdriver X.
- 3) Cover the nut B by part O.
- 4) Align the hole in part 3,4,5 and 6, insert the wooden dowel D into the hole in part 3,4,5 and 6 by hand.



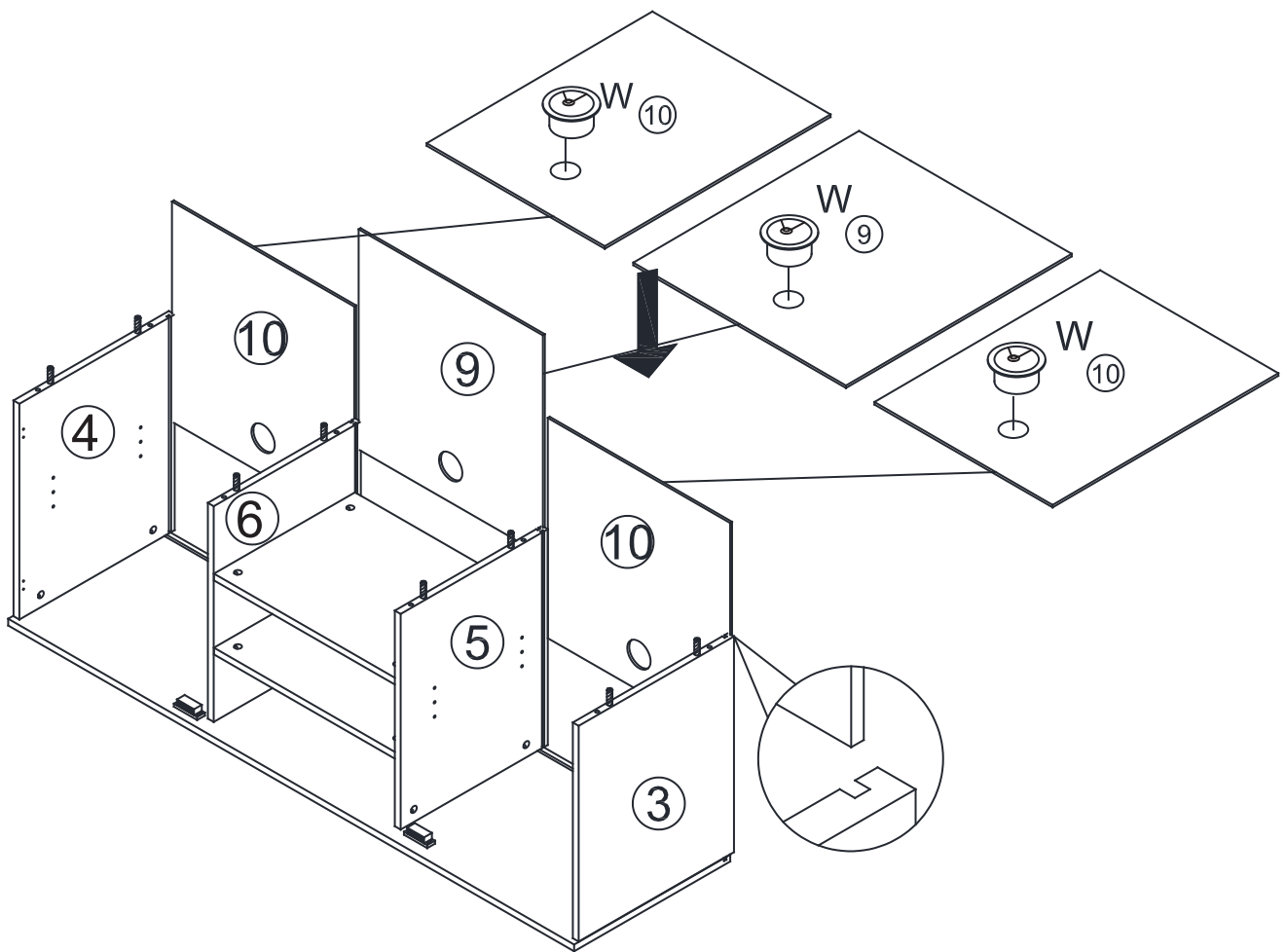
O	x4	B	x4	D	x8
					
		Ø15mm		Ø8*30mm	




# STEP 7

Attach part 9 and 10 to finished part in step 6.

- 1) Insert the part W into the part 9 and 10 by hand.
- 2) Slide the part 9 and 10 into the groove in part 1, 3, 4, 5 and 6.

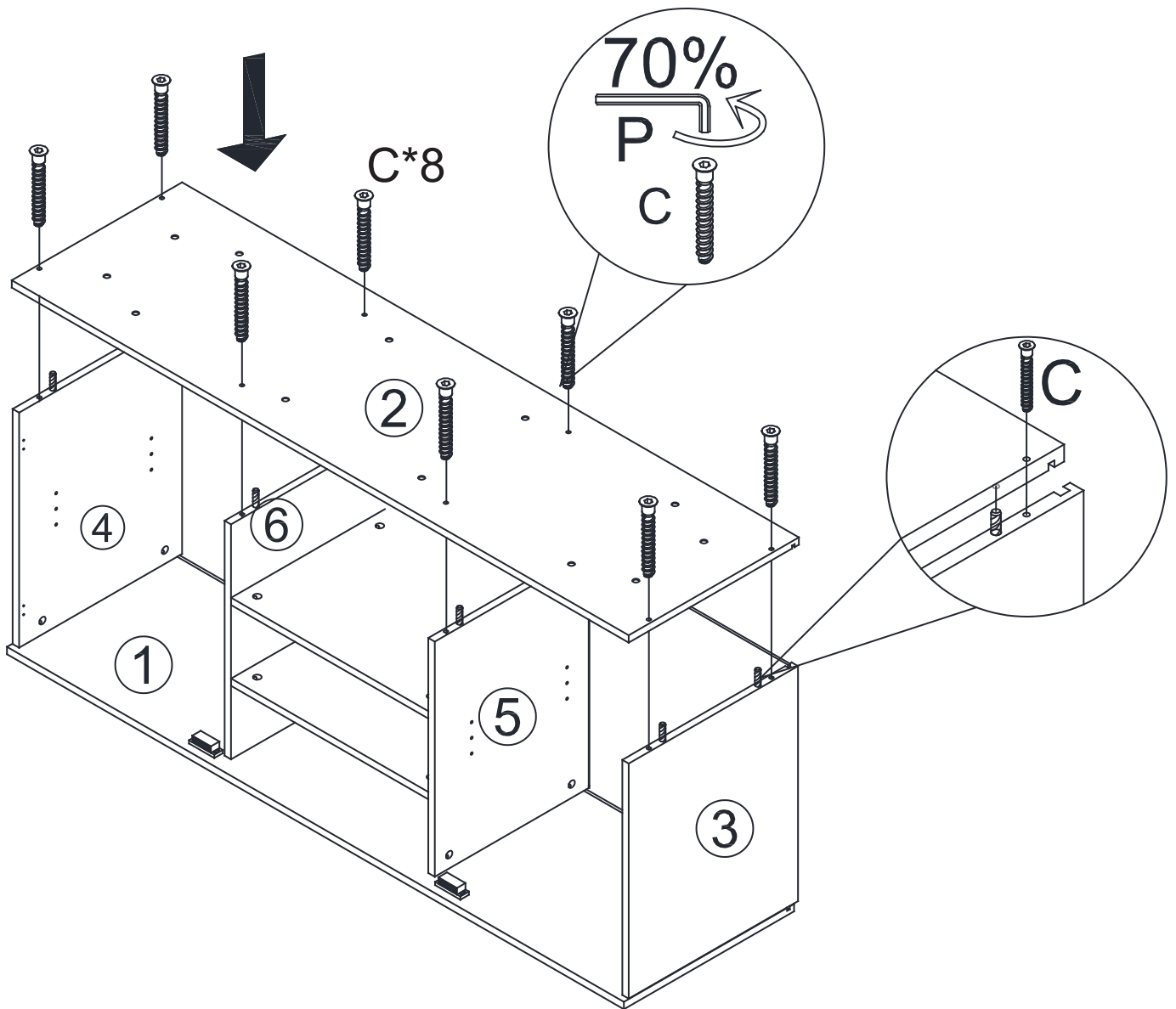



W	x3
	


# STEP 8

Attach the part 2 to the finished part in step 7.

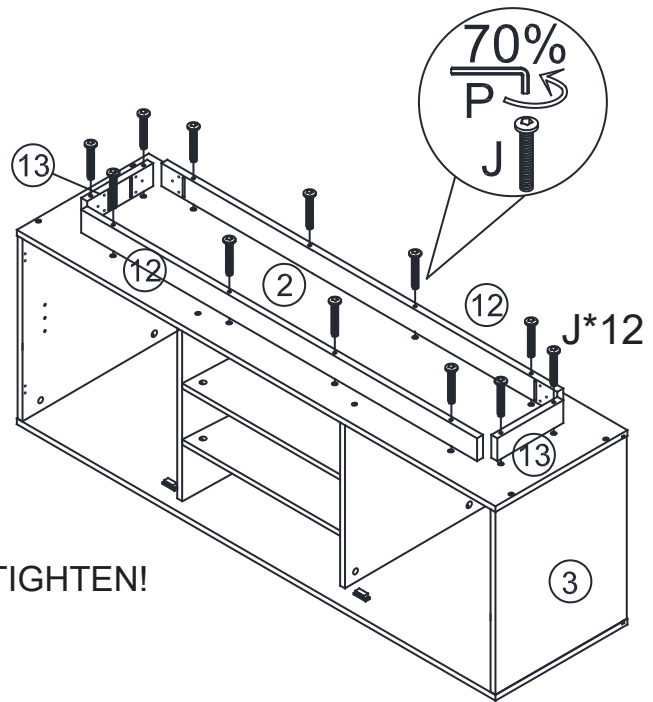
- 1) Align the hole in part 2, insert the wooden dowel B in the part 3,4,5 and 6 into the part 2
- 2) Align the hole in part 2 to the hole in part 3,4,5 and 6, Screw in and tighten the screw C by Allenkey P as the picture show.





P	x1
	
M4	

C	x8
	
M7*50mm	

# STEP 9

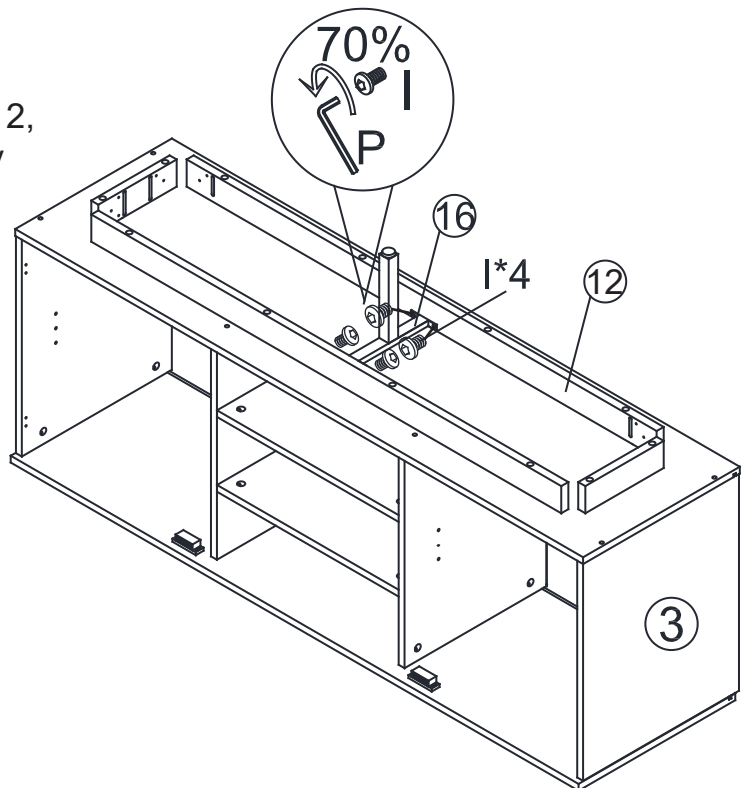




Attach the leg frame.  
Align the hole in part 12 and 13 to the hole in part 2, screw in and tighten the screw J by allenkey P. DO NOT FULLY TIGHTEN!

P	x1	J	x12
			
M4		M6*60mm	

# STEP 10

Attach the middle leg to the leg frame.  
Align the hole in part 16 to the hole in part 12, screw in and tighten the screw I by allenkey P. DO NOT FULLY TIGHTEN!

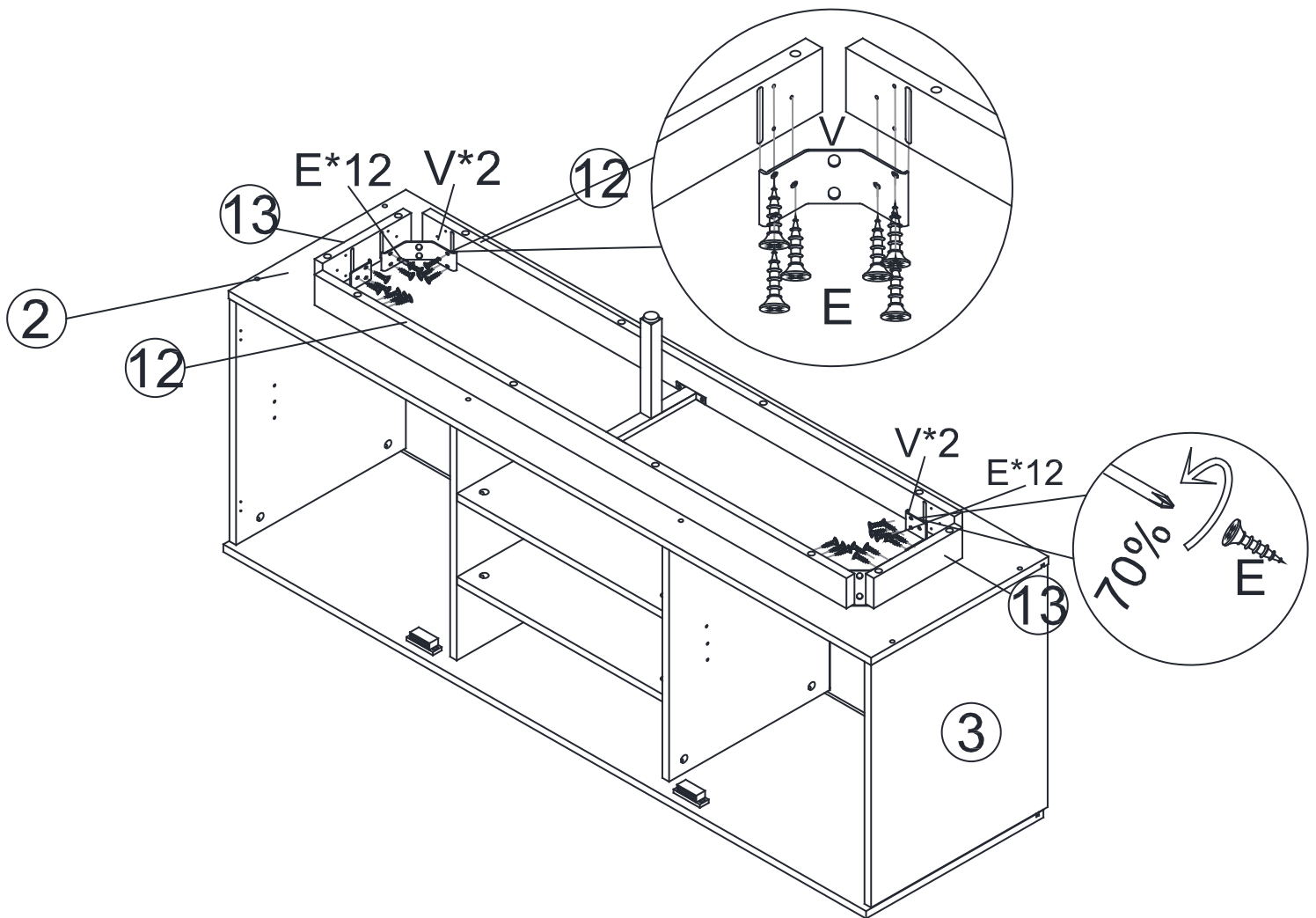



P	x1	I	x4
			
M4		M6*12mm	

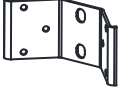
# STEP 11

Assemble the part V to the leg frame.

- 1) Insert the edge of part V into the space in part 12 and 13
- 2) Align the hole in part V to the hole in part 12 and 13, screw in and tighten the screw E by screwdriver X. DO NOT FULLY TIGHTEN!



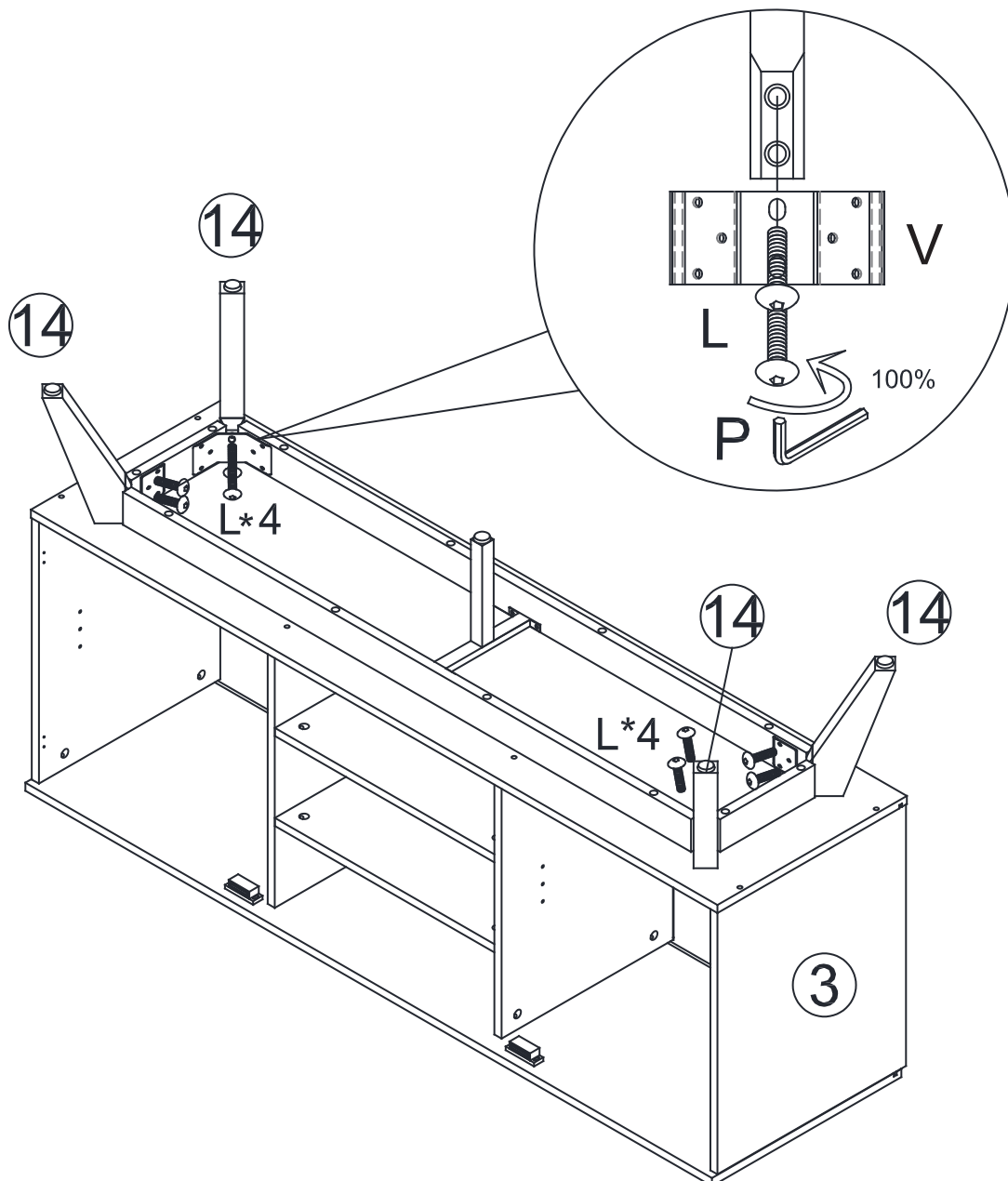
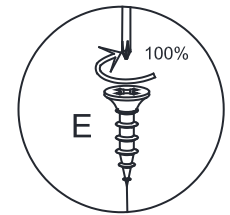
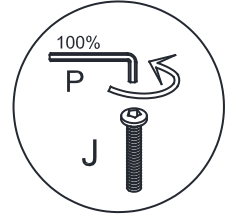
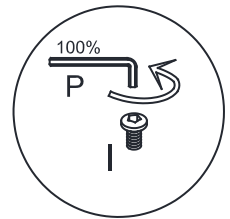
E	x24
	
Ø3.5*14mm	


V	x4
	


# STEP 12

Assemble the legs.

- 1) Align the hole in part 14 to the hole in part V, screw in and tighten the screw L by allenkey P.
- 2) After check the all screw in right position, fully tighten the screws I, J E in sequence.



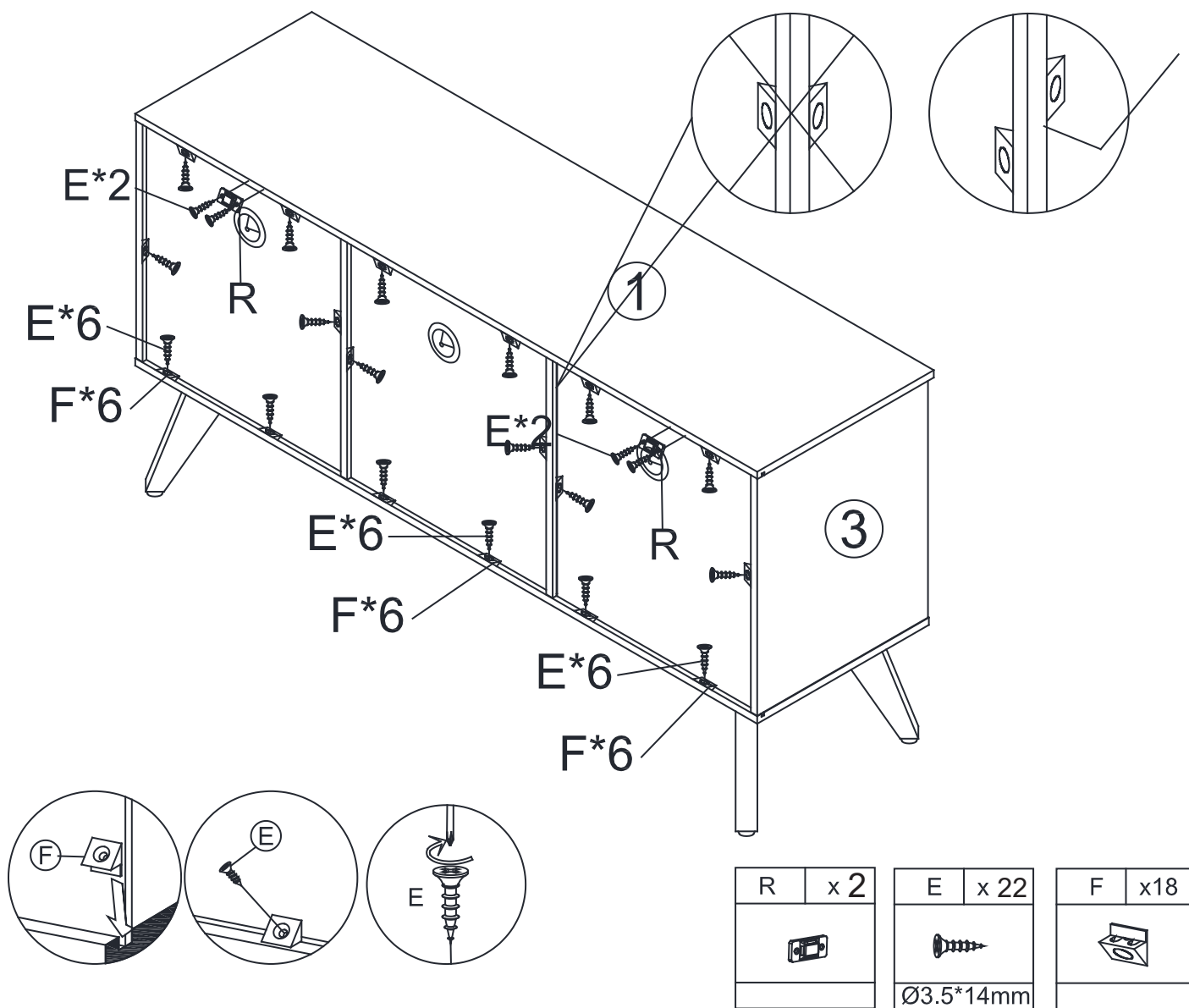
P	x1
	
M4	

L	x8
	
M6*40mm	

# STEP 13

Assemble the part F and part hook of anti-collapse R as the picture show.

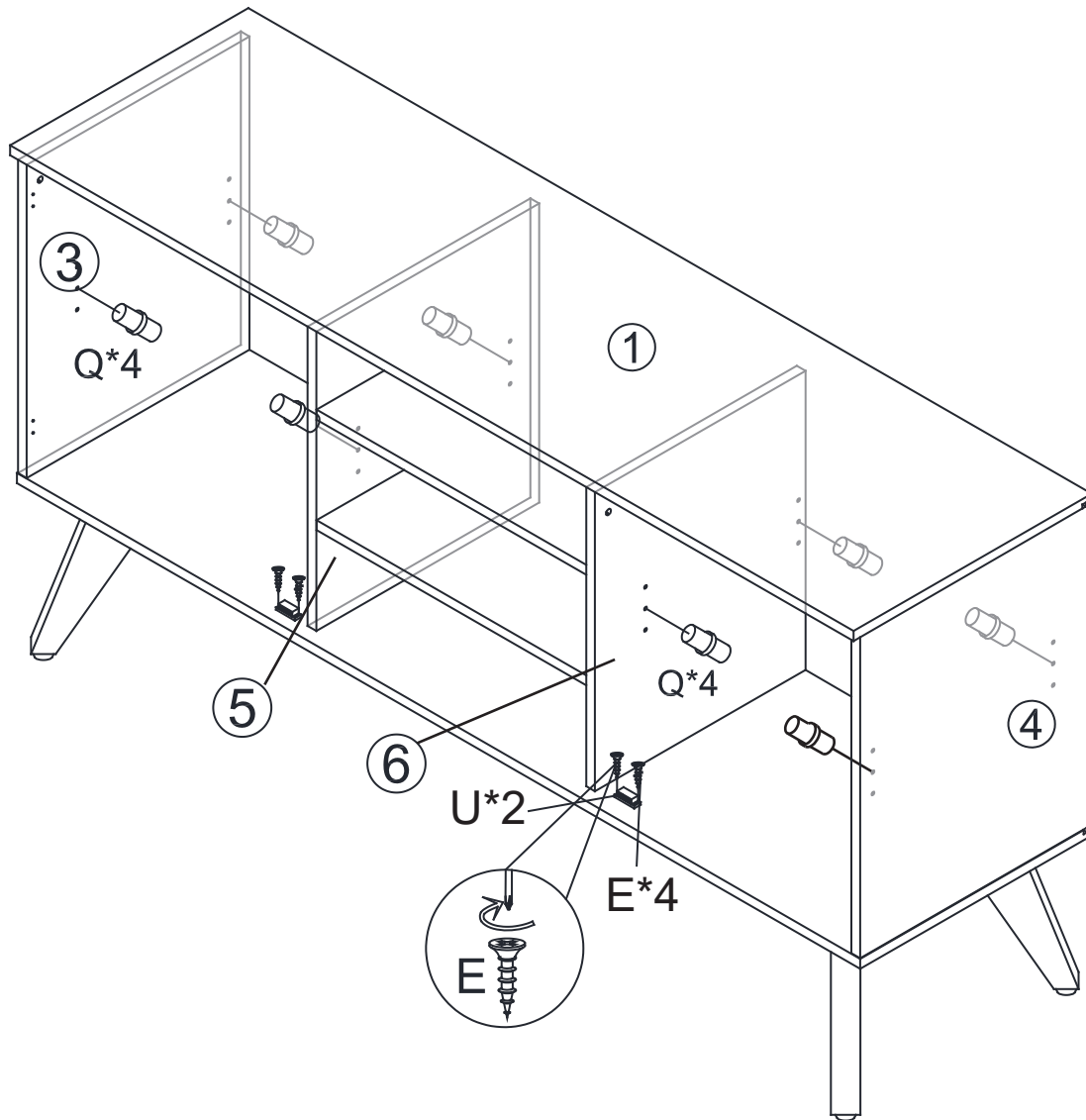
- 1) Insert the part F into the space between the part 1,2, 3, 4,5,6, screw in screw E and tighten by screwdriver X.
- 2) Align the hole in part R to the part 1, screw in and tighten the screw E by screwdriver X.



# STEP 14

Insert the part Q into the hole in part 3, 4,5,6 by hand as the picture show.

Align the hole in part U ,screw in and tighten the screw E by screwdriver X



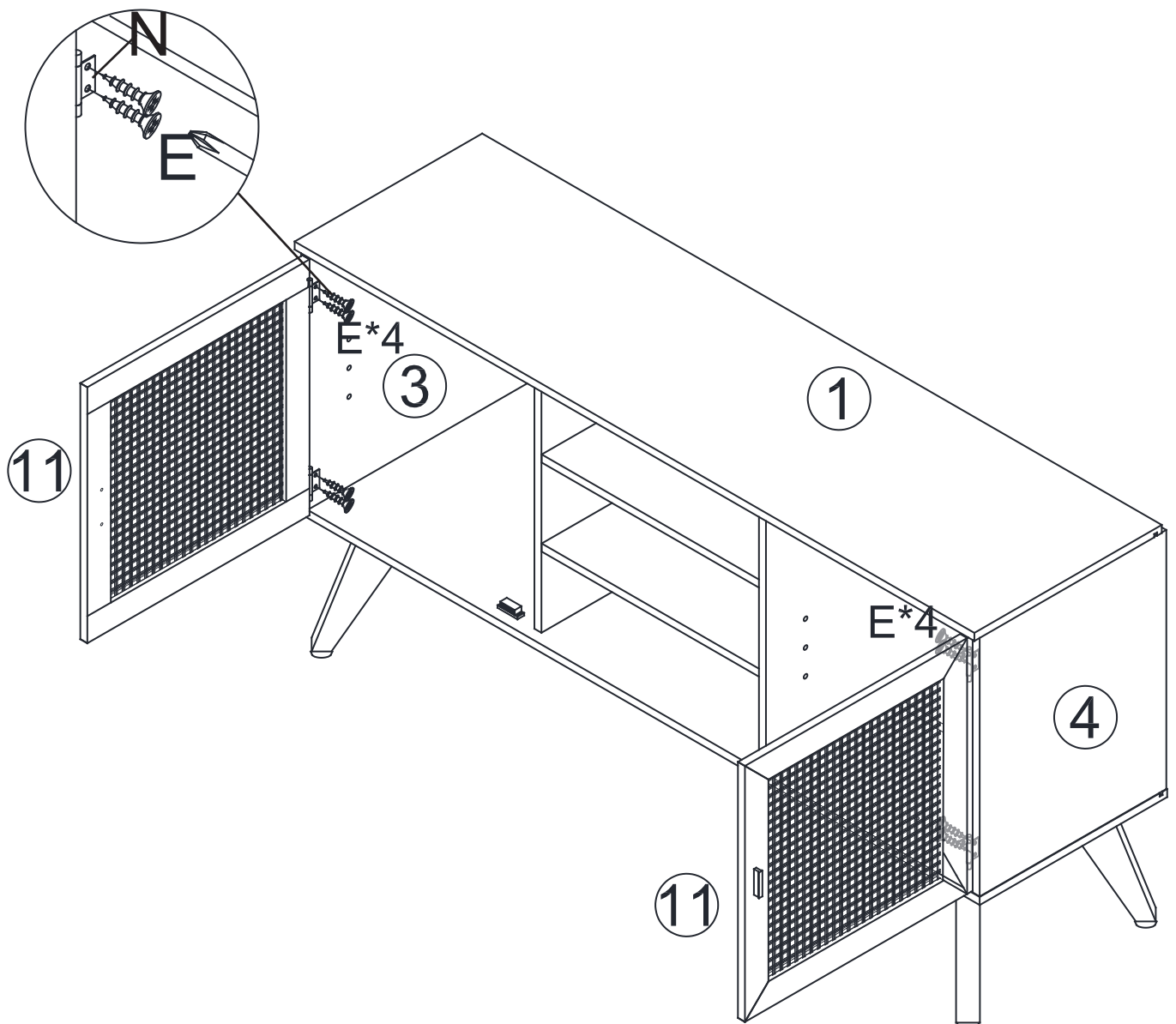
U	x2


E	x4
Ø3.5*14mm	

Q	x8

# STEP 15

Install the part N on the part 3 and 4 as the picture show.  
Align the hole in part N to the hole in part 3 and 4, screw in and tighten the screw E  
by screwdriver X.

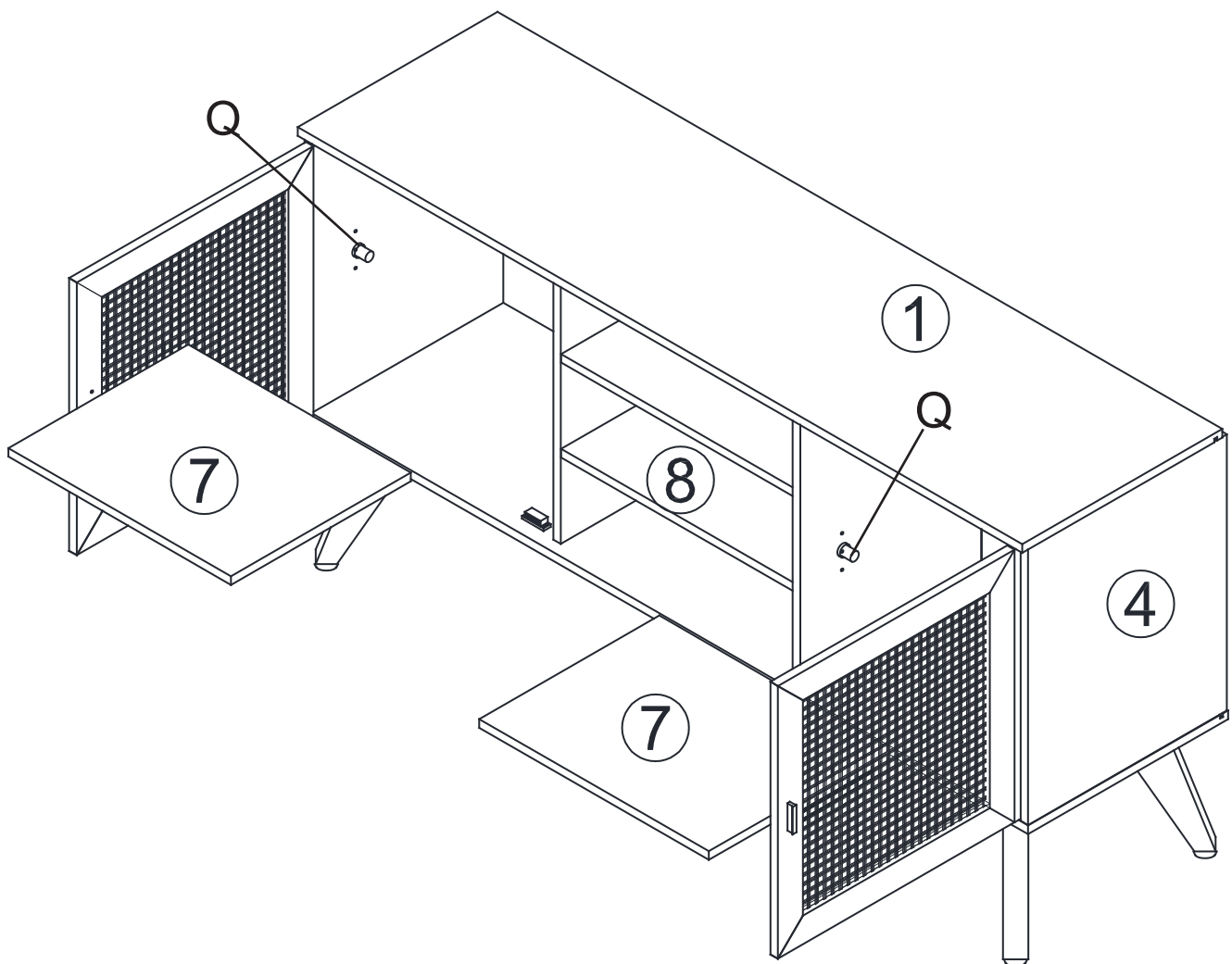


E	x8
	
Ø3.5*14mm	

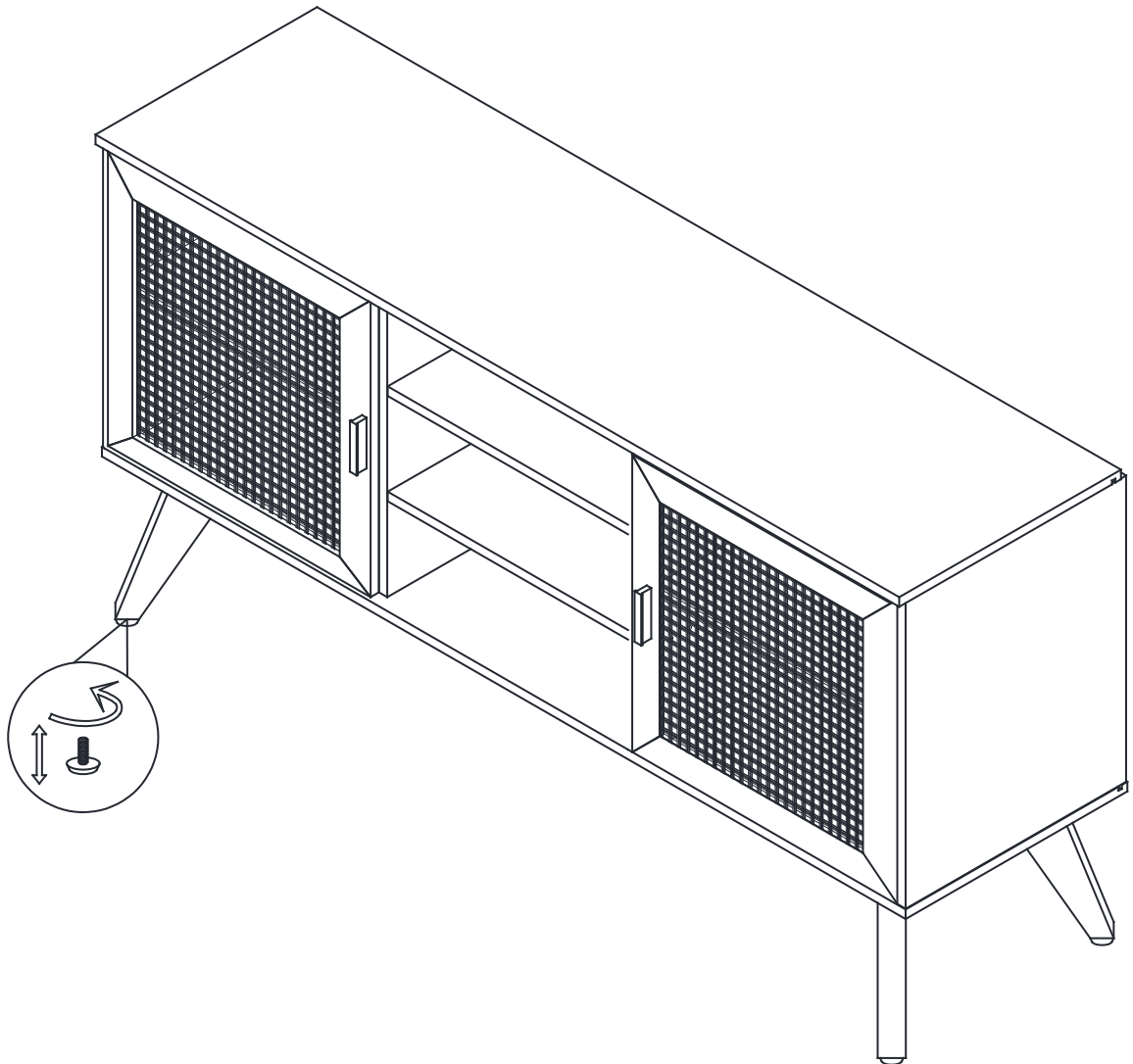


# STEP 16

Insert the part 7 into the position above the part Q.



## STEP 17



Use the adjustable nail to keep the cabinet level in case the cabinet is wobbling.  
Now your cabinet is ready to use.

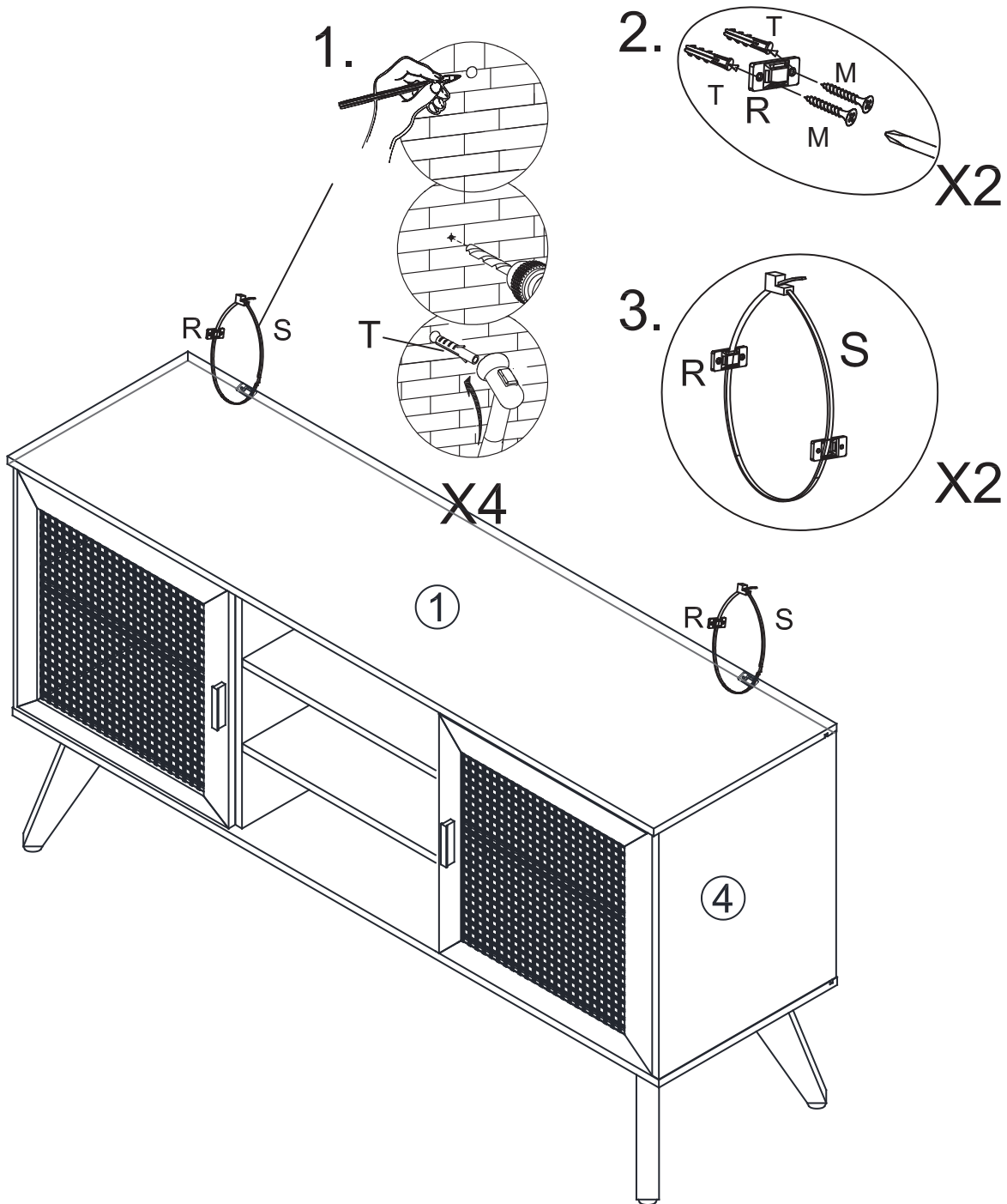
# STEP 18

Install the anti-collapse device.





1. Mark the position on the wall, this should be same as the position of R where are on the back of panel 1; Drilled and insert the expandable screw T by hammer;

2. Assemble the part R on the wall. Align the hole in the part R to the expandable screw T, screw in and tighten by screwdriver;

3. let the plastic belt S go through the both R and pull to tighten.



Assembly completed

M	x4	R	x2	S	x2	T	x4
							
ø4*35mm							

# WARRANTY

We strive to offer high-quality products, and we also try our best to satisfy each and every customer that orders from us with product or service as needed. We provide 30 days warranty starting from the time you receive the item. Each customer must provide a record of their order such as the order number, or item receipt for any items that are out of the warranty period you may also still receive replacement parts by purchasing them with our company if they are available.

**Are you having difficulty  
with assembly? Missing parts?**

**Please send email with your order No**

**[customerservice@hulalahome.com](mailto:customerservice@hulalahome.com)**

**For return, Please check the return policy with  
the retailer or MarketPlace you bought from.**

**Appreciated your purchasing from us.  
Pop up your life by our furniture piece!**