

## WARRANTY

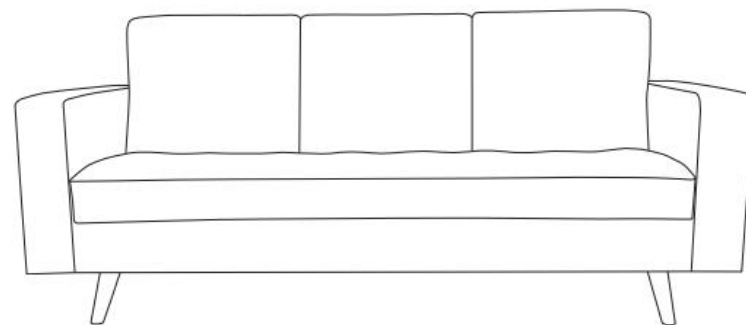
We strive to offer high-quality products, and we also try our best to satisfy each and every customer that orders from us with product or service as needed. We provide 30 days warranty starting from the time you receive the item. Each customer must provide a record of their order such as the order number, or item receipt for any items that are out of the warranty period you may also still receive replacement parts by purchasing them with our company if they are available.

**Are you having difficulty  
with assembly? Missing parts?**

**Please send email with your order No  
[customerservice@hulalahome.com](mailto:customerservice@hulalahome.com)**

**For return, Please check the return policy with  
the retailer or MarketPlace you bought from.**

**Appreciated your purchasing from us.  
Pop up your life by our furniture piece!**



**ITEM NO. SFXA0392**

---

### NOTE:

This brochure contains IMPORTANT safety info. Please read and keep for future reference.

---

# MAINTAINANCE AND WARNING

- Keep furniture away from heat.
- Do not clean furniture with harsh cleansers or polish. Do not use detergents, Solvents, abrasives, spray packs or leather cleaner. Use non-color mild soap with warm water clean spills(Mix 1:10 soap to water)
- Do not place furniture under direct sunlight, material will possibly fade over time.
- Do not use on site dry Cleaning machine.
- Children should not climb or jump on the furniture.
- Do not write on furniture without a padded barrier to protect the surface.
- Not for commercial use, For residential use only.



Weight Limitation

**750LBS**

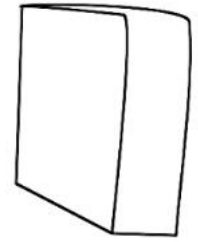
# PARTS LIST

A\*1



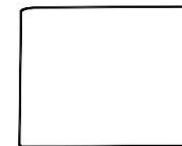
Right Armrest

B\*1



Left Armrest

C\*3



Backrest Cushion

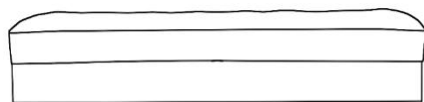
# PARTS LIST

D\*1



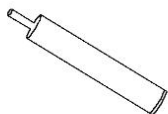
Backrest

E\*1



Seat

F\*2



Adjustable leg

G\*4



Leg

# HARDWARE LIST

①\*4



M8\*60mm

②\*2



M8\*100mm

# HARDWARE LIST

③\*1



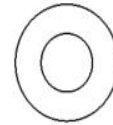
M8

④\*2



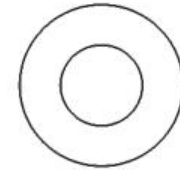
# HARDWARE LIST

⑤\*6



15 mm

⑥\*2



50 mm

## SPARE

①\*1



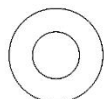
M8\*60mm

②\*1



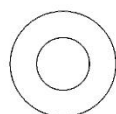
M8\*100mm

⑤\*2



15 mm

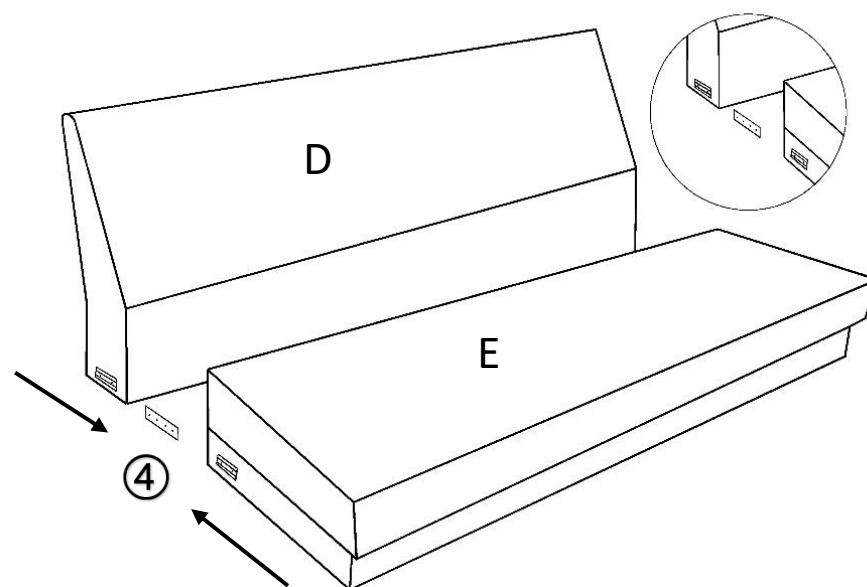
⑥\*1



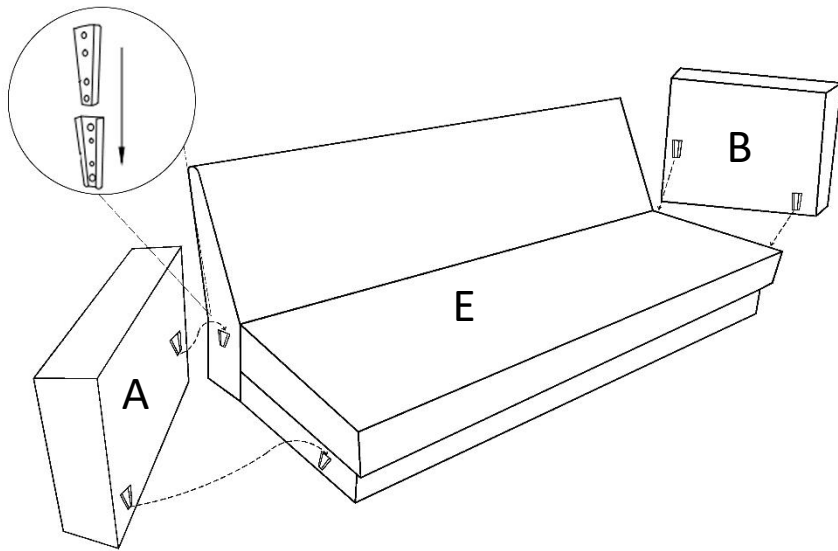
50 mm

Be sure to check all packing material carefully for small parts , which may have come loose inside the carton during shipment.

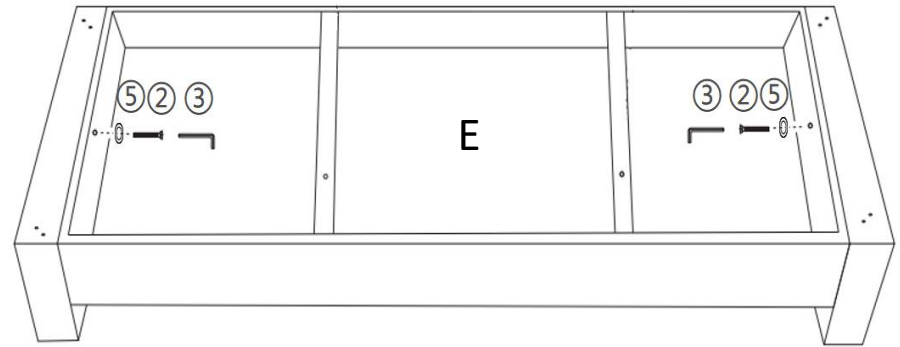
## ASSEMBLY INSTRUCTIONS



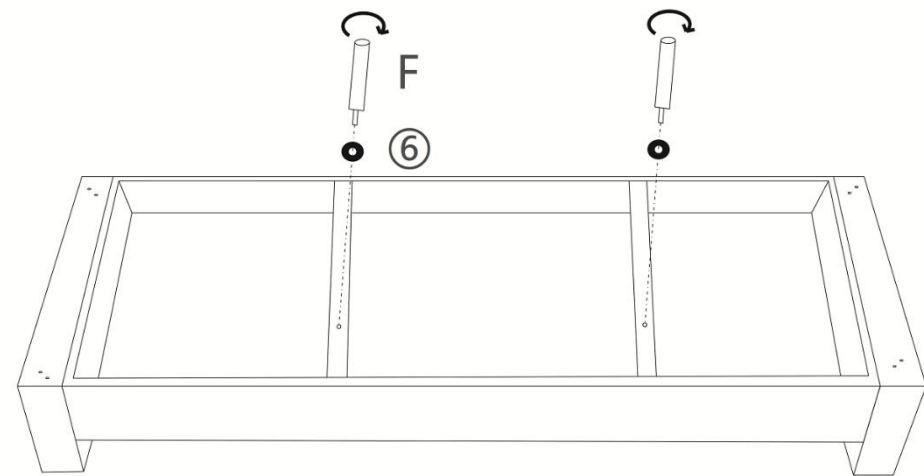
**STEP 1:** Under help of adult partner, place seat cushion E on clean padded surface. Insert male metal bracket ④ to female bracket on seat E then carefully align female metal bracket on backrest D with rear end of male bracket ④. Make sure both left and right side brackets aligned properly then push the backrest to secure.



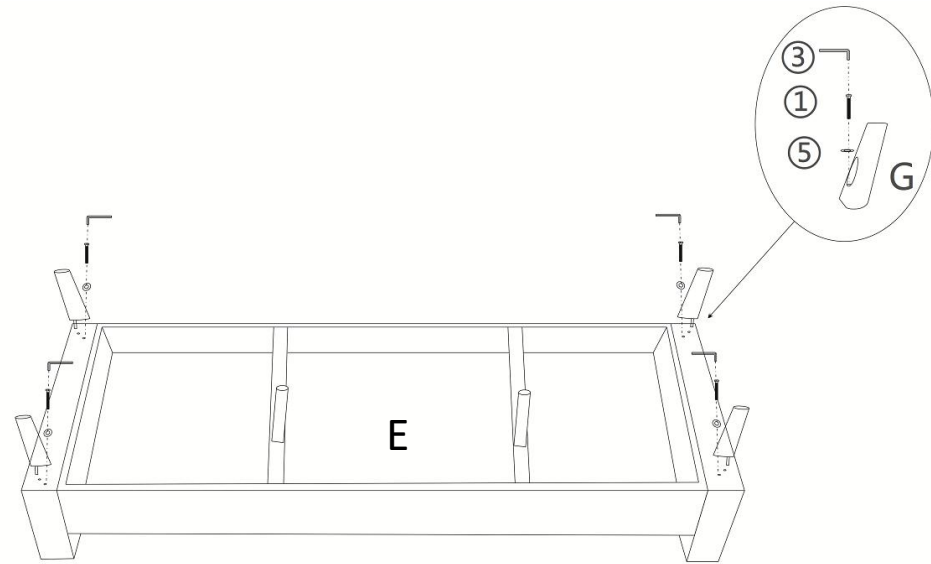
**STEP 2:** Place Seat E and Armrest A and B on clean padded surface. Align and insert the metal bracket of Armrest A and B downwards into the metal bracket of Seat E. Make sure they are connected tightly and secure.



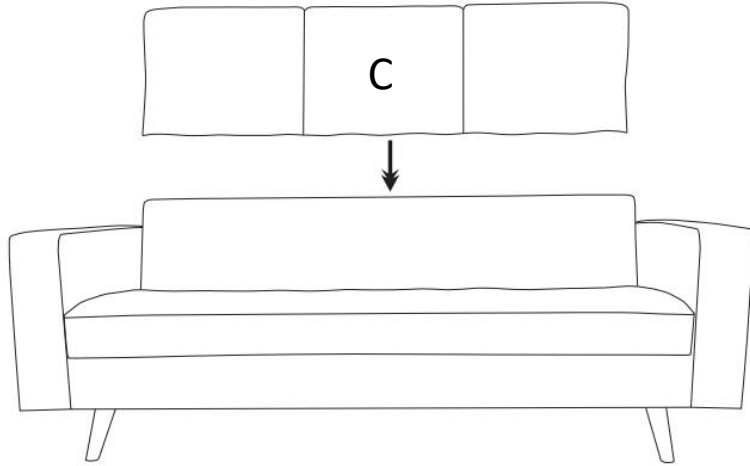
**STEP 3:** Flip over the sofa, use allen key ③ to attach bolt ② flat washer ⑤ to connect armrest A/B with seat E, fasten all bolts to secure.



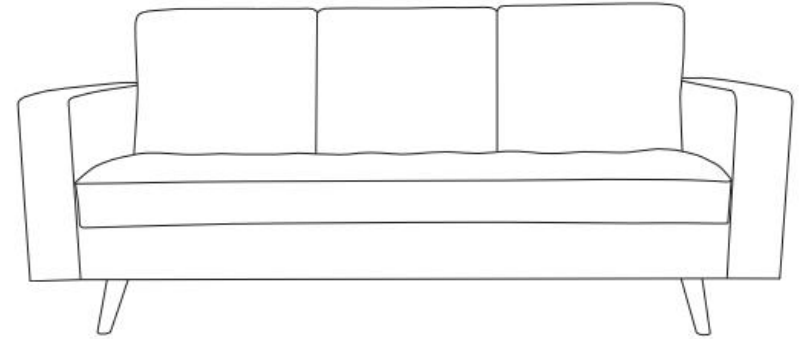
**STEP 4:** Attach legs F with rubber washers ⑥ to bottom of the sofa base ,turn to fasten all legs.



**STEP 5:** Use allen key ③, flat washer ⑤ bolt ① to attach legs G to bottom of the sofa base E, turn to fasten all legs.



**STEP 6:** Place backrest cushions C on the sofa.



Assembly completed.