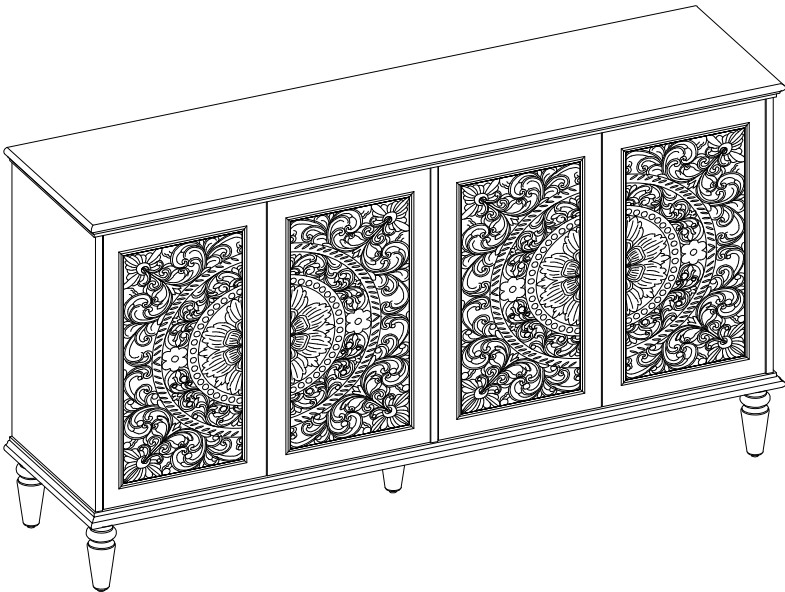


HULALA

H O M E



ITEM NO.SP-14KSBLS0845

NOTE:

This brochure contains IMPORTANT safety info. Please read and keep for future reference.

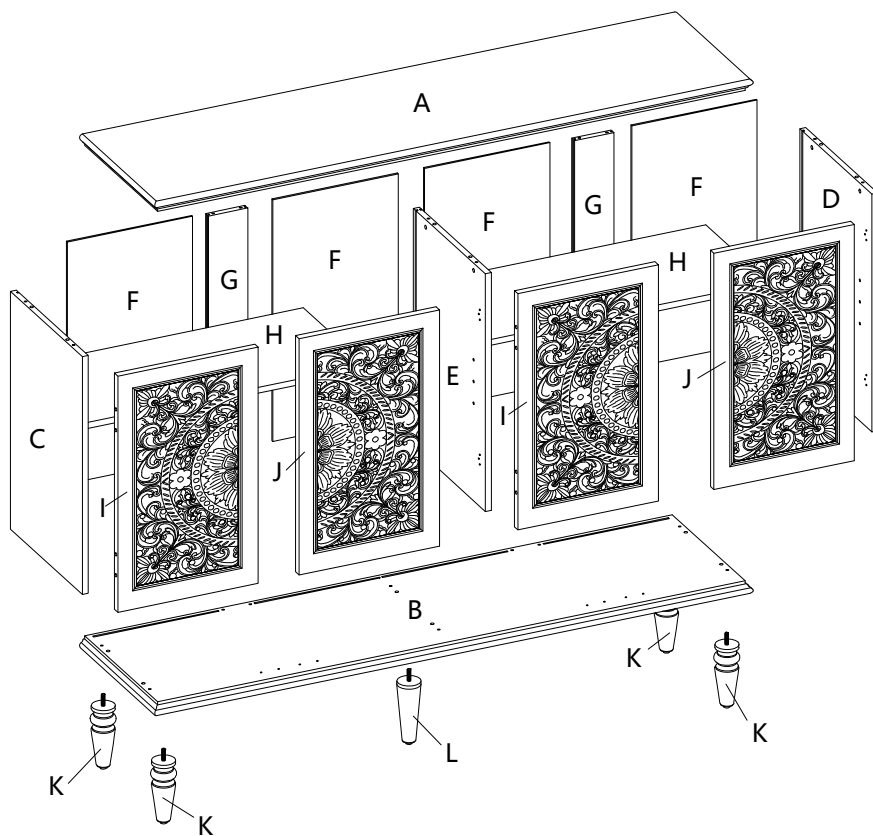
MAINTAINANCE AND WARNING

- 1.Keep furniture away from heat sources.
- 2.Do not clean furniture with harsh cleaner or polishes.Do not use detergents,solvents,abrasives,spray packs or leather cleaner. Use non-color mild soa with warm water to clean spills(Mix 1:10 soap to water).
- 3.Do not place furniture under direct sunlight,material will possibly fade over time.
- 4.Do not use on site dry cleaning machine.Children should not climb or jump on the furniture.
- 5.Do not write on furniture that is not protectedby a padded barrier.
- 6.Not for commercial use,only for residential use.

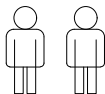


Weight Limitation
110 LBS

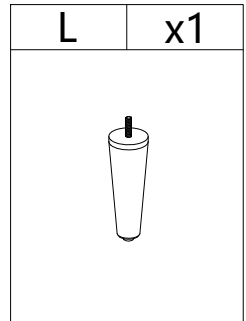
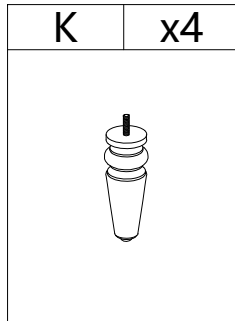
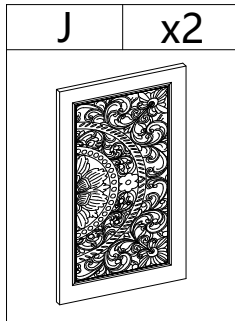
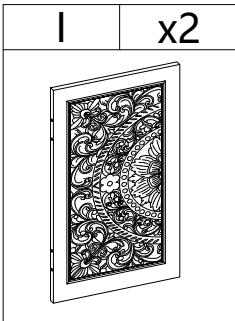
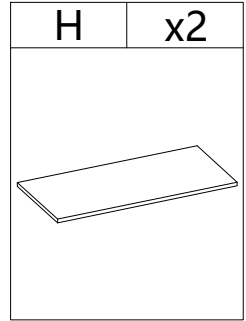
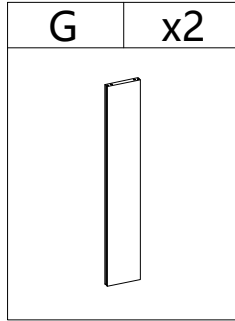
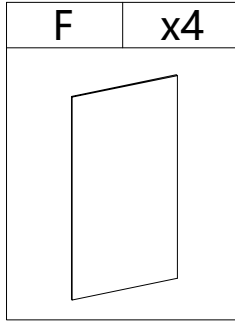
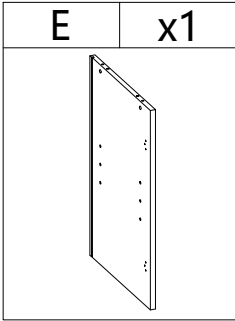
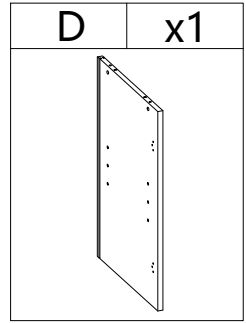
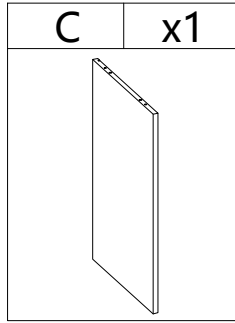
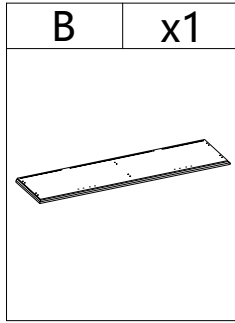
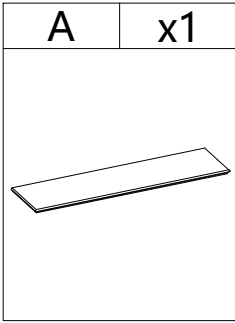
EXPLOSIVE VIEW




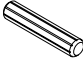



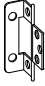





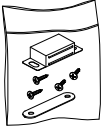
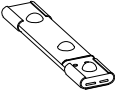

2 PERSONEN





PARTS LIST




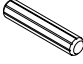





HARDWARE LIST

#1	x10	#2	x12	#3	x10	#4	x68	#5	x10	#6	x8
											
Ø6*35mm		Ø8*30mm		M6*50mm		M3.5*14mm		Ø15*11mm			
#7	x8	#8	x10	#9	x3	#10	x2	#11	x4	#12	x4
											
#13	x2	#14	x2								
											

TOOL LIST

#15	x1	#16	x1
			
		M6	

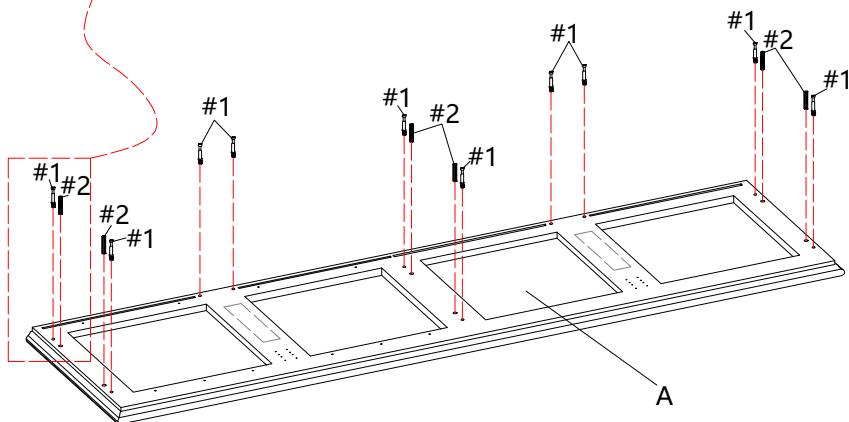
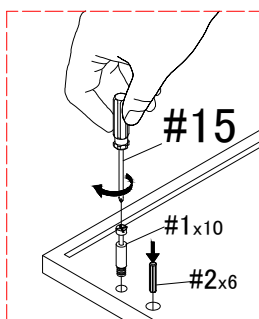
HARDWARE SPARE LIST




#1	x1	#2	x1	#3	x1	#4	x6	#6	x1	#8	x1
											
Ø6*35mm		Ø8*30mm		M6*50mm		M3.5*14mm		Ø15*11mm			
#9	x1										
											

ASSEMBLY INSTRUCTIONS

STEP-1

Insert wooden dowel #2 into the corresponding hole of panel (A) and then screw bolt #1 into the corresponding hole of panel (A), tighten bolt #1 with screwdriver #15.

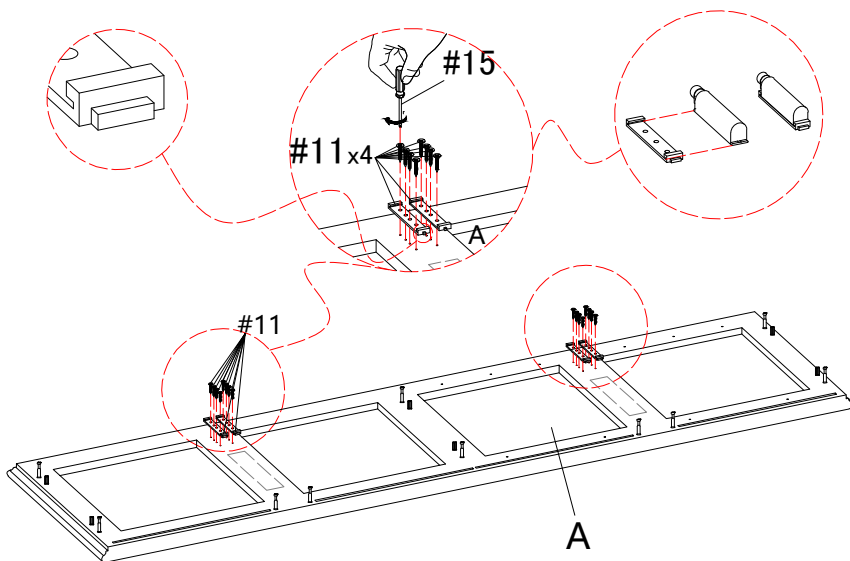


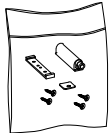

#1	x10	#2	x6	#15	x1
					
Ø6*35mm		Ø8*30mm			

ASSEMBLY INSTRUCTIONS

STEP-2

Use screw#11 to attach part#11 to the corresponding hole of top panel(A),tighten screw#11 with screwdriver#15.And then slide therebounder#11 into the rebounder base as picture show.

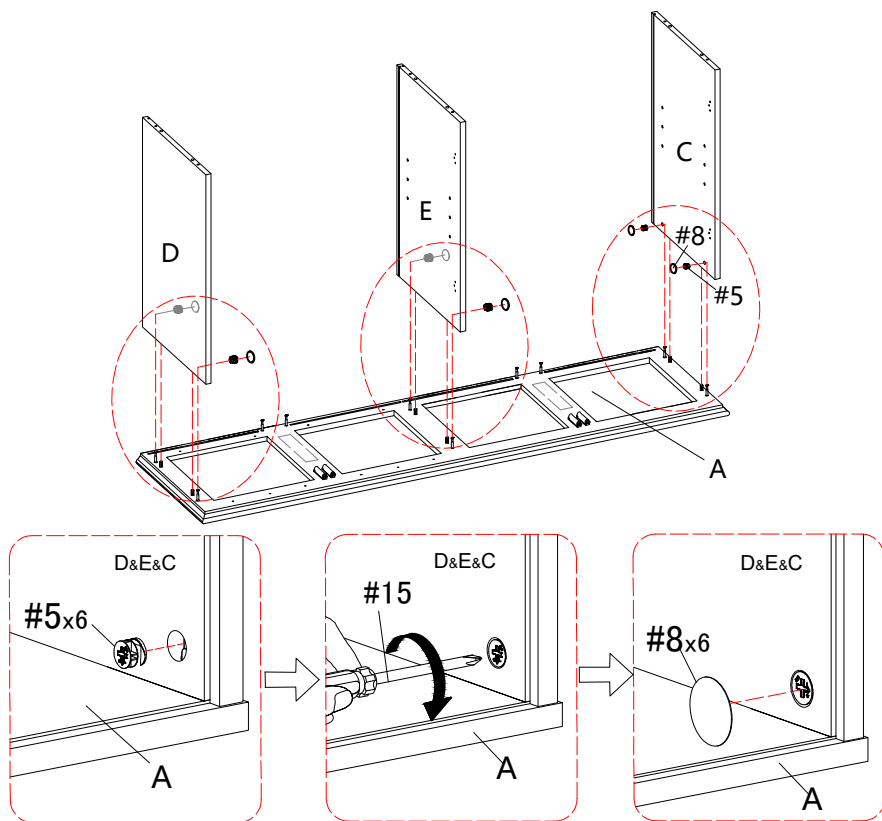





#11	x4	#15	x1
			

ASSEMBLY INSTRUCTIONS

STEP-3

Insert side panel (D)&(C)、 middle vertical panel(E) into the preassemble top panel (A),and then insert cam bolt #5 into the corresponding hole of side panel (D)&(C)&middle vertical panel(E),tighten cam bolt #5 with screwdriver #15,finally stick paster #8 to it for look nice.

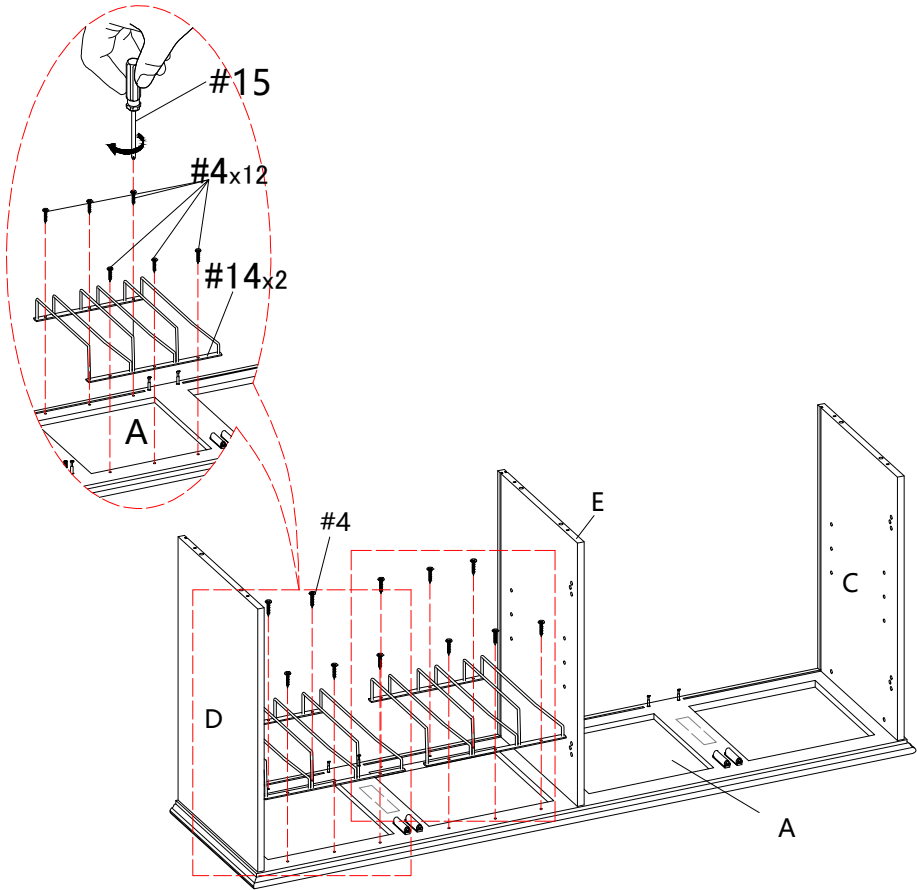





#5	x6	#8	x6	#15	x1
					
Ø15*11mm					

ASSEMBLY INSTRUCTIONS

STEP-4

Use screw #4 to attach wine glass holder #14 to panel (A), tighten screw #4 with screwdriver #15.

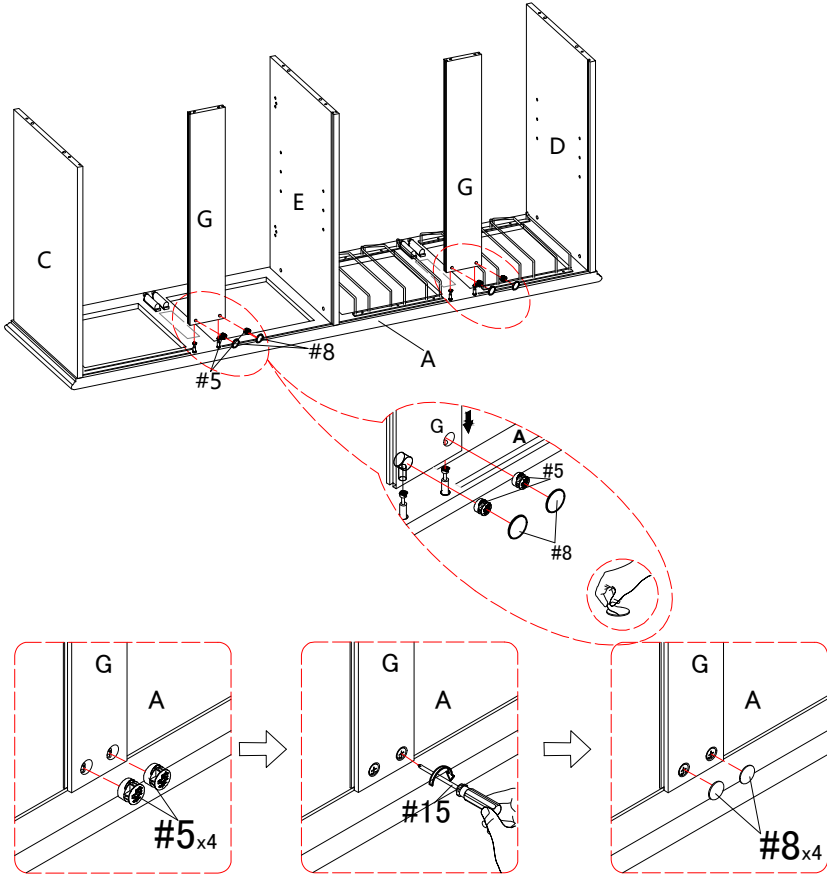





#14	x2	#4	x12	#15	x1
					
		M3.5*14mm			

ASSEMBLY INSTRUCTIONS

STEP-5

Insert panel(G) into preassembly top panel(A) as picture show , and then insert cam bolt #5 into the corresponding hole of panel (G),tighten cam bolt #5 with screwdriver #15, finally stick paster #8 to it for look nice.

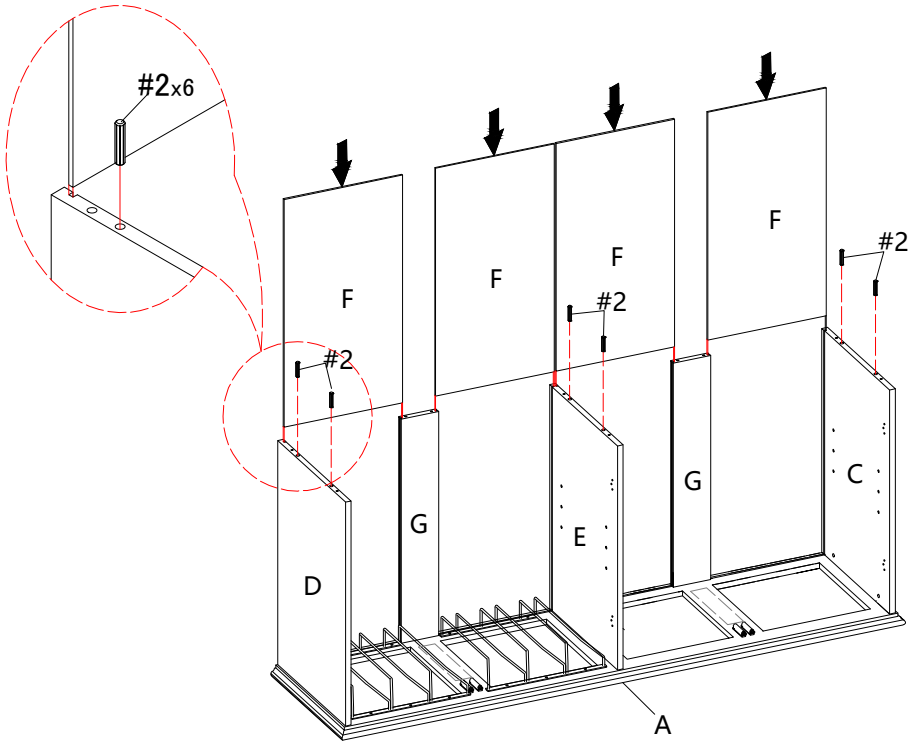



#5	x4	#8	x4	#15	x1
					
Ø15*11mm					

ASSEMBLY INSTRUCTIONS

STEP-6

Carefully align and slide panel (F) into the groove along rear edge of pre-assemble step 5, and then insert wooden dowel #2 into the corresponding hole of panel(D)&&(E)&(C).

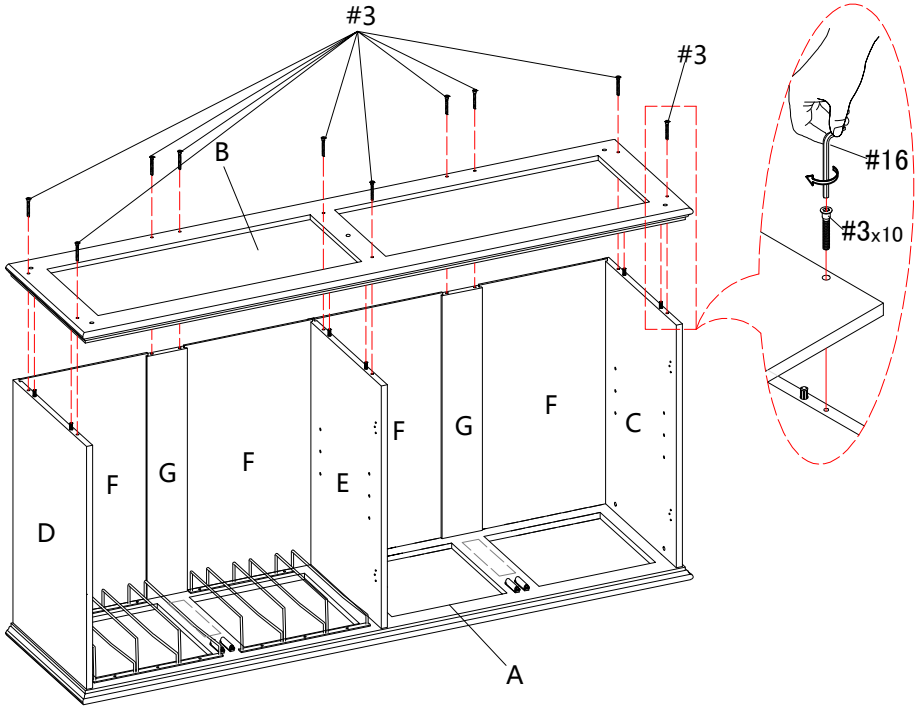




#2	x6
	
Ø8*30mm	

ASSEMBLY INSTRUCTIONS

STEP-7

Insert bottom panel (B) into preassemble step 6, make sure all holes aligned and then use bolt #3 to attach them, tighten bolt #3 with allen key #16.

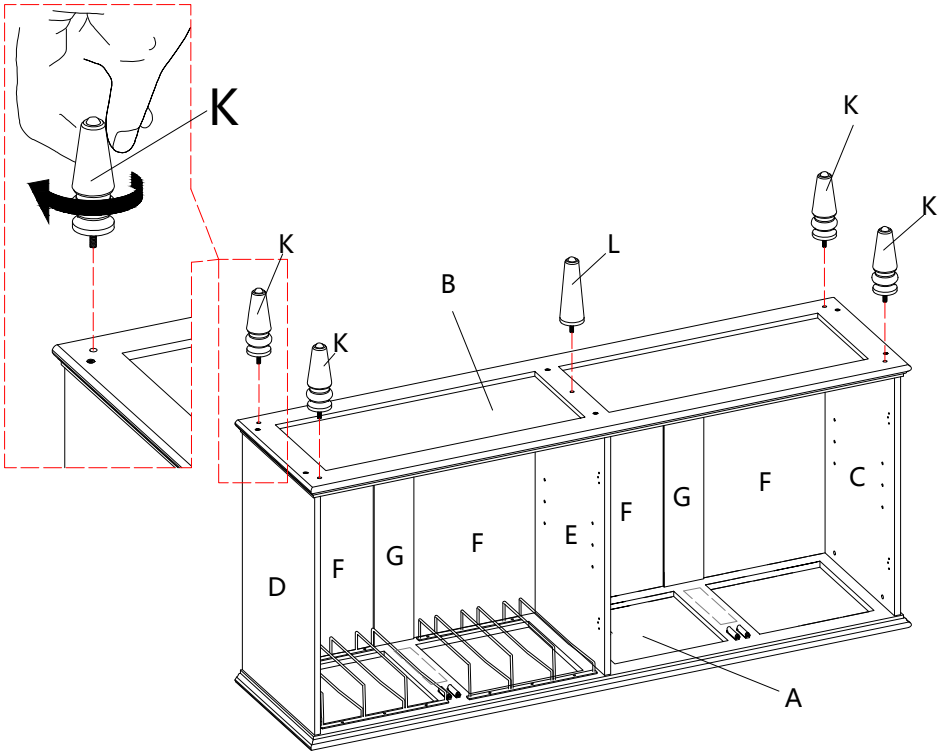


#3	x10	#16	x1
			
M7*50mm		M4	

ASSEMBLY INSTRUCTIONS

STEP-8

Screw the four leg(K) onto the base plate(B),and screw the middle leg(L) onto the bottom plate(B).

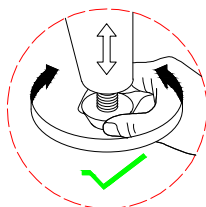
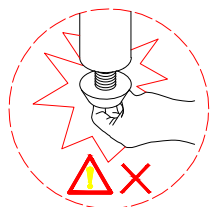
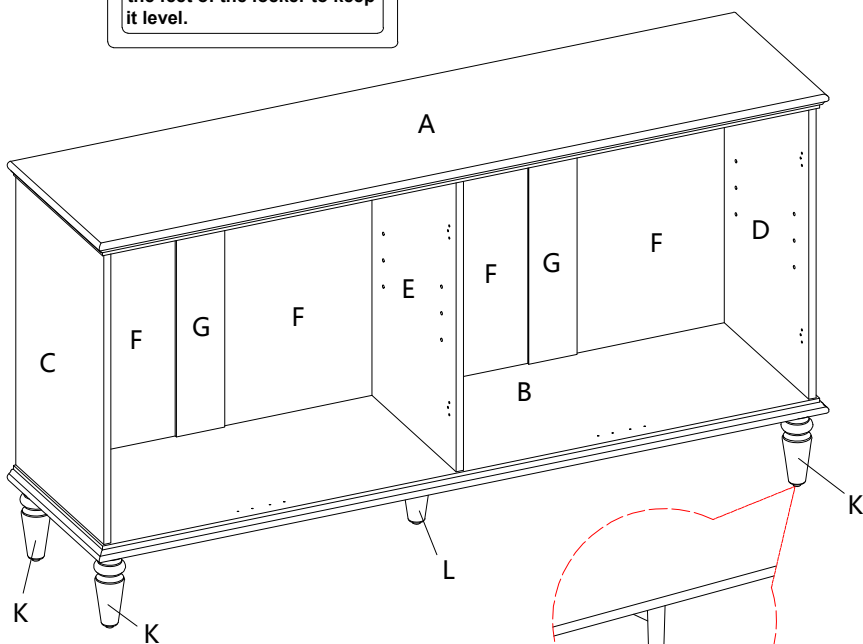
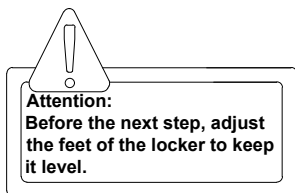


ASSEMBLY INSTRUCTIONS

STEP-9

Attention:

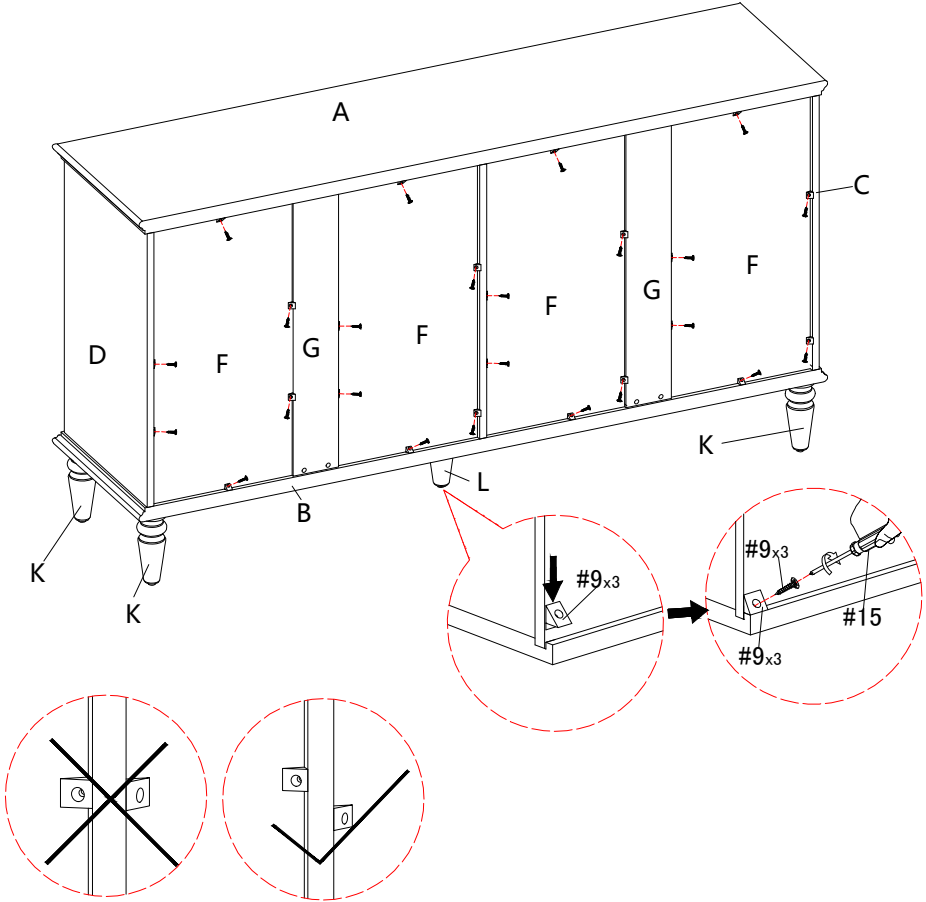
Before the next step, adjust the feet of the locker to keep it level.



ASSEMBLY INSTRUCTIONS

STEP-10

Use screw #9 to attach plastic shelf #9 to the corresponding hole of panel (A)&(D)&(G)&(E)&(C)&(B) as picture show, make sure all holes aligned and tighten screw #9 with screwdriver #15.



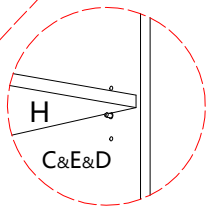
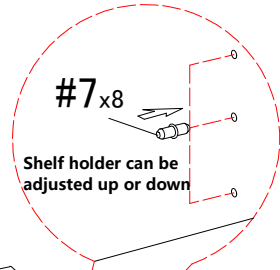
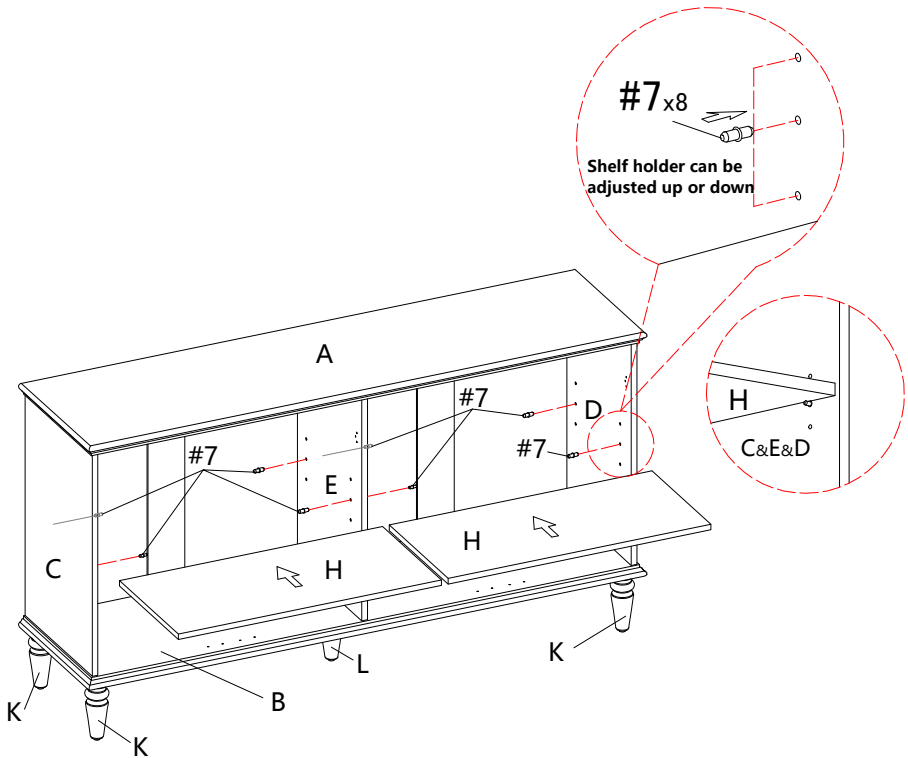
#9	x3


#15	x1

ASSEMBLY INSTRUCTIONS

STEP-11

Insert shelf holder #8 into the corresponding hole of panel (C)&(E)&(D), make all shelf holder #7 same level and then attach adjustable shelf(H) to it.

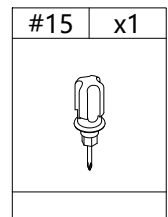
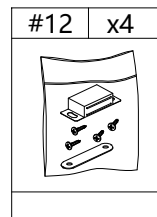
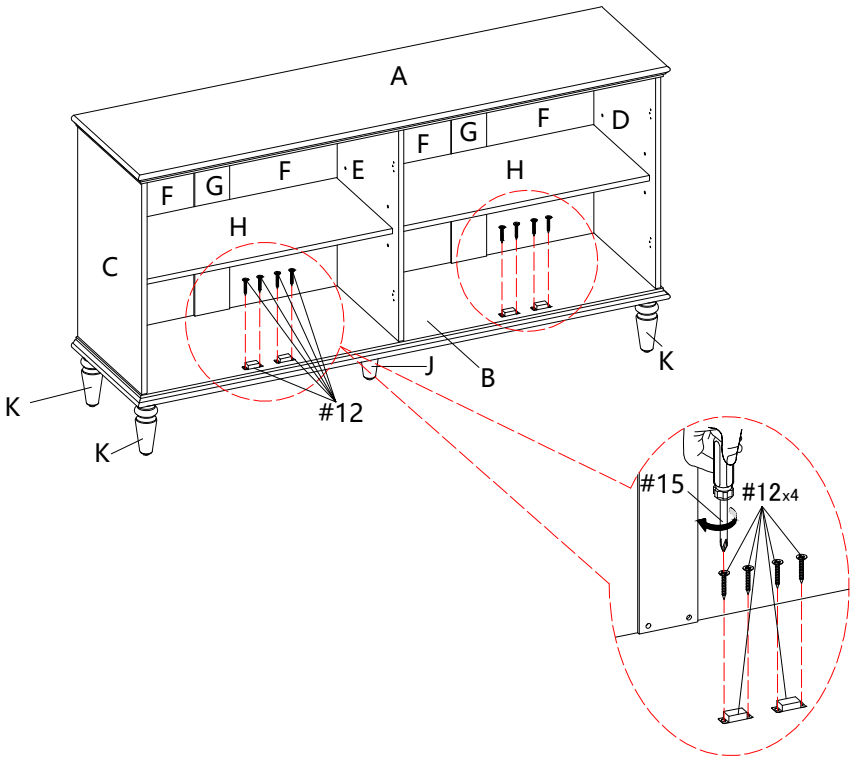


#7	x8
	

ASSEMBLY INSTRUCTIONS

STEP-12

Use screw #12 to attach top plate#12 to bottom plate (B) ,tighten screw #12 with screwdriver #15.

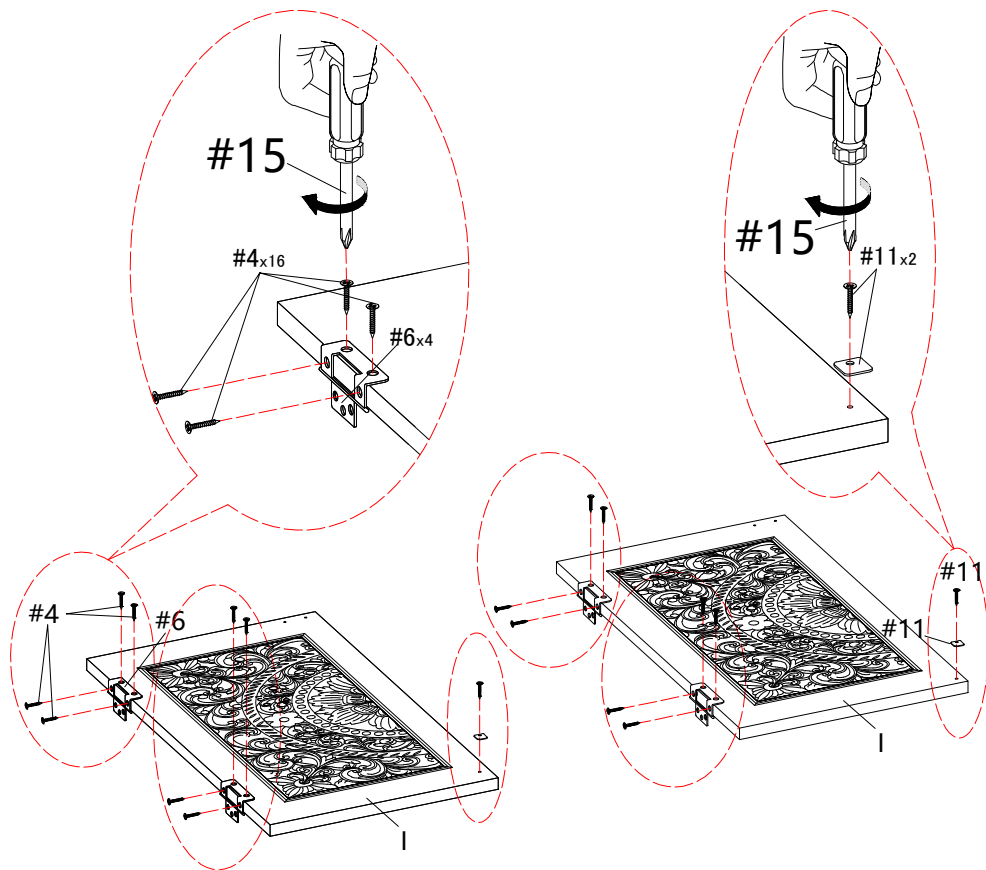



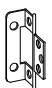


ASSEMBLY INSTRUCTIONS

STEP-13

Use screw #4 to attach metal plate #11 to door (I) ,tighten screw #11 with screwdriver #15.

Use screw #4 to attach hinge #6 to door (I) ,tighten screw #4 with screwdriver #15.

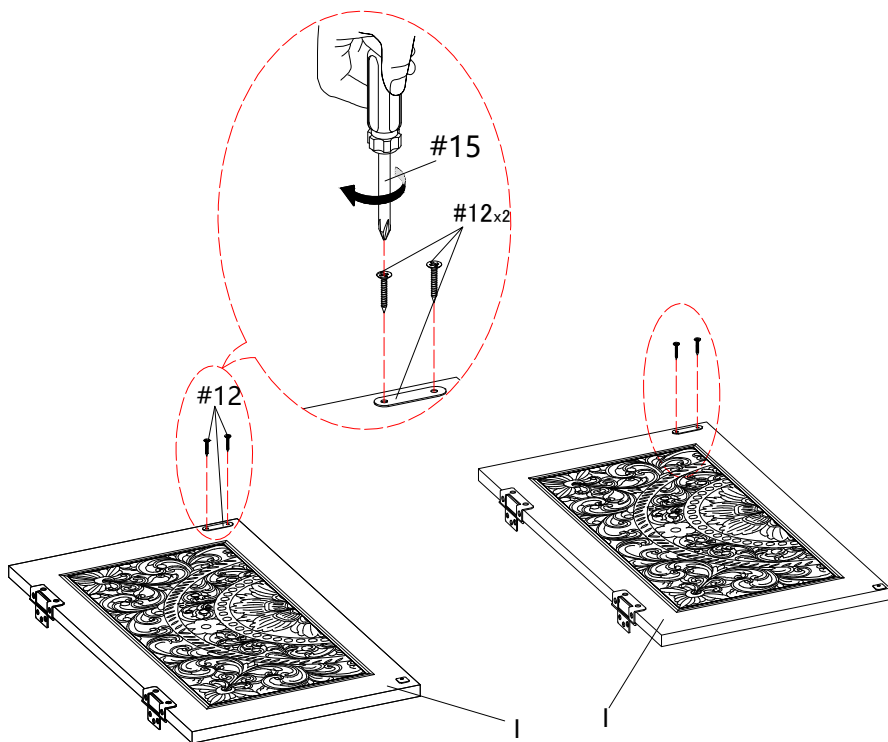


#4	x16	#6	x4	#11	x2	#15	x1
							
M3.5*14mm							

ASSEMBLY INSTRUCTIONS

STEP-14

Use screw #12 to attach metal plate#12 to door (I) ,tighten screw #12 with screwdriver #15.

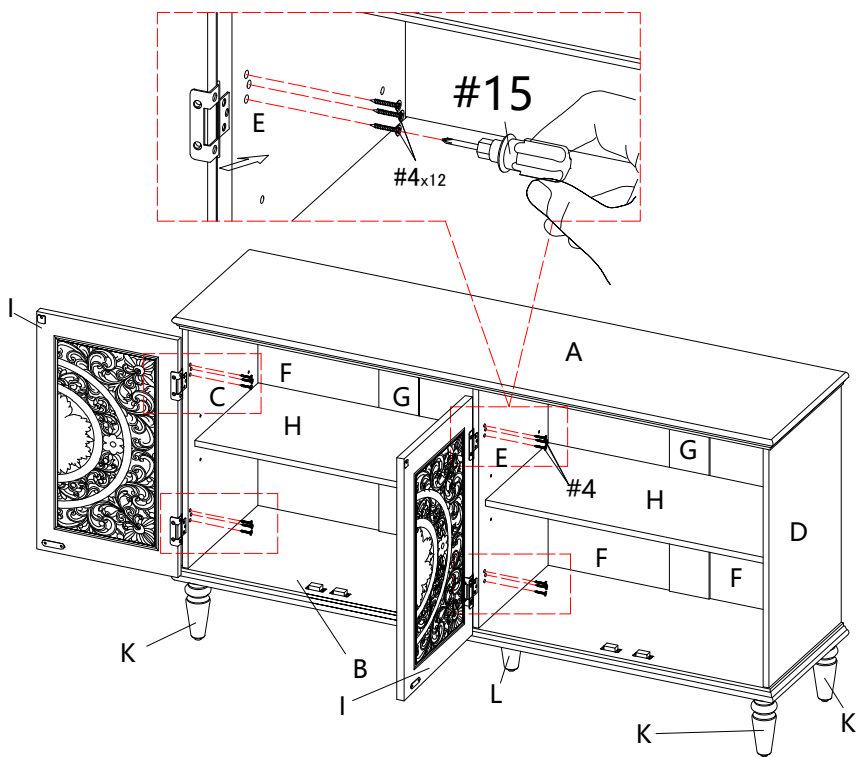




#12	x2	#15	x1

ASSEMBLY INSTRUCTIONS

STEP-15

Use screw #4 to attach door (I) to the corresponding hole of side panel (C)&(E), tighten screw with screwdriver #15.



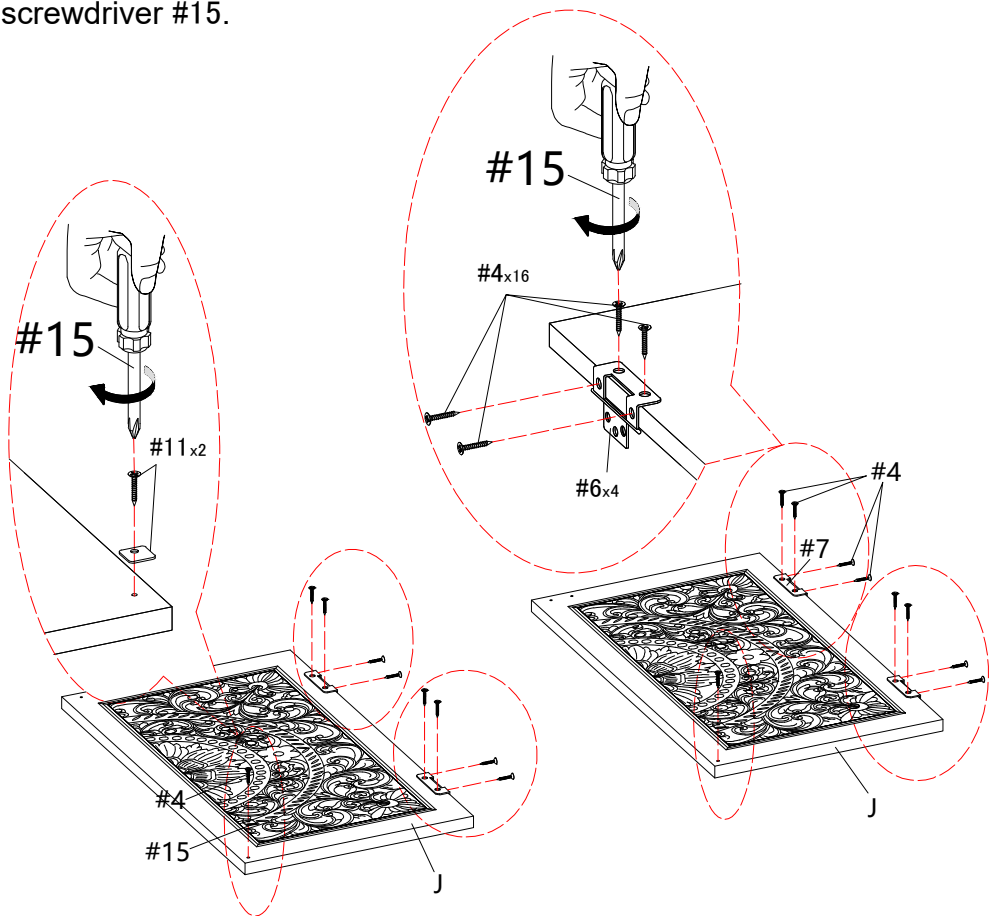
#4	x12	#15	x6
			
M3.5*14mm			


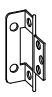


ASSEMBLY INSTRUCTIONS

STEP-16

Use screw #4 to attach metal plate #11 to door (J), tighten screw #11 with screwdriver #15.

Use screw #4 to attach hinge #6 to door (J), tighten screw #4 with screwdriver #15.

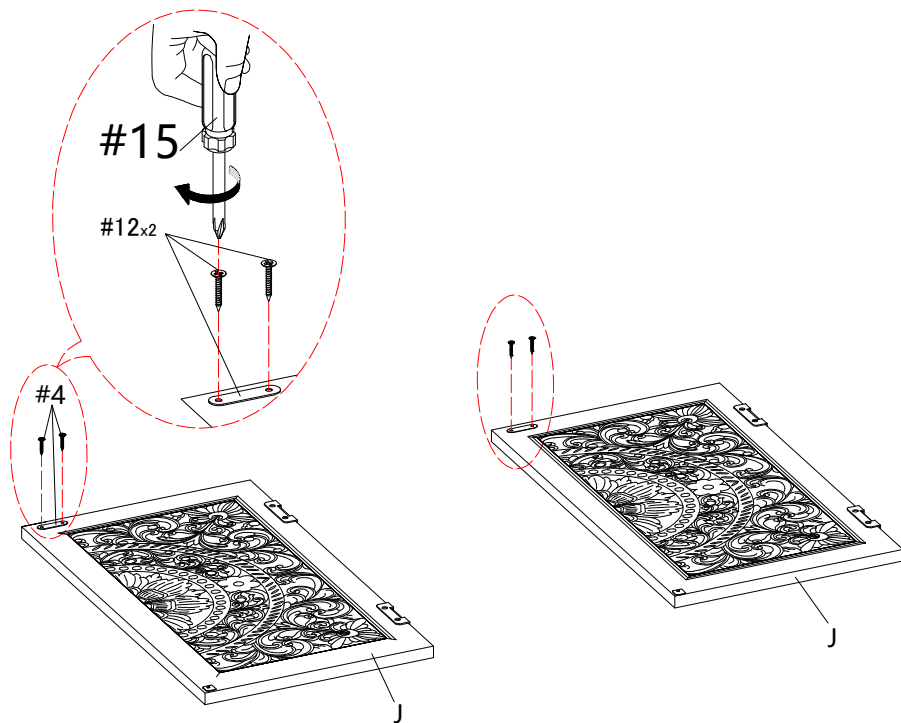


#4	x16	#6	x4	#11	x2	#15	x1
							
M3.5*14mm							

ASSEMBLY INSTRUCTIONS

STEP-17

Use screw #12 to attach metal plate#12 to door (J) ,tighten screw #12 with screwdriver #15.

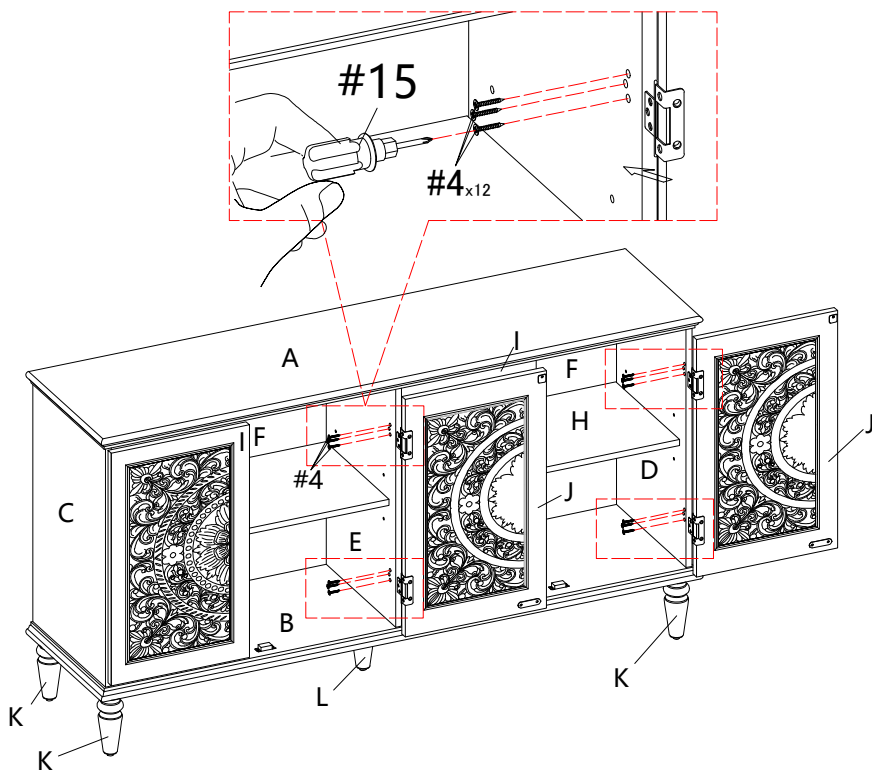




#12	x2	#15	x1

ASSEMBLY INSTRUCTIONS

STEP-18

Use screw #4 to attach door (J) to the corresponding hole of side panel (E)&(D), tighten screw with screwdriver #15.



#4	x12	#15	x1
			
M3.5*14mm			

ASSEMBLY INSTRUCTIONS

STEP-19



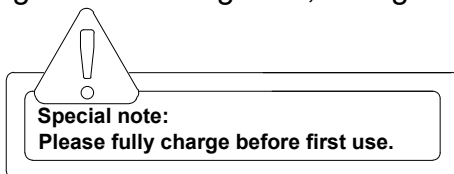
- 1.Short press: Cycle switch white light, warm light, neutral light.
- 2.Long press: When the light is on, press the button to adjust the brightness without releasing it. Release the button to lock the brightness.



- 1.The initial state is off.
- 2.Press the first button to enter the steady state. (Induction function does not work in steady on mode and will not be automatically extinguished)
- 3.Press the second button to enter night mode. (The light body flashes three times to prompt, and then enters the night induction mode after the mountain finishes.)
- 4.Press the third button to enter daytime induction mode. (The light body flashes twice as a prompt, and then enters the daytime mode)
- 5.Press the fourth button to return to the closed state and so on.

Human body induction mode special description:

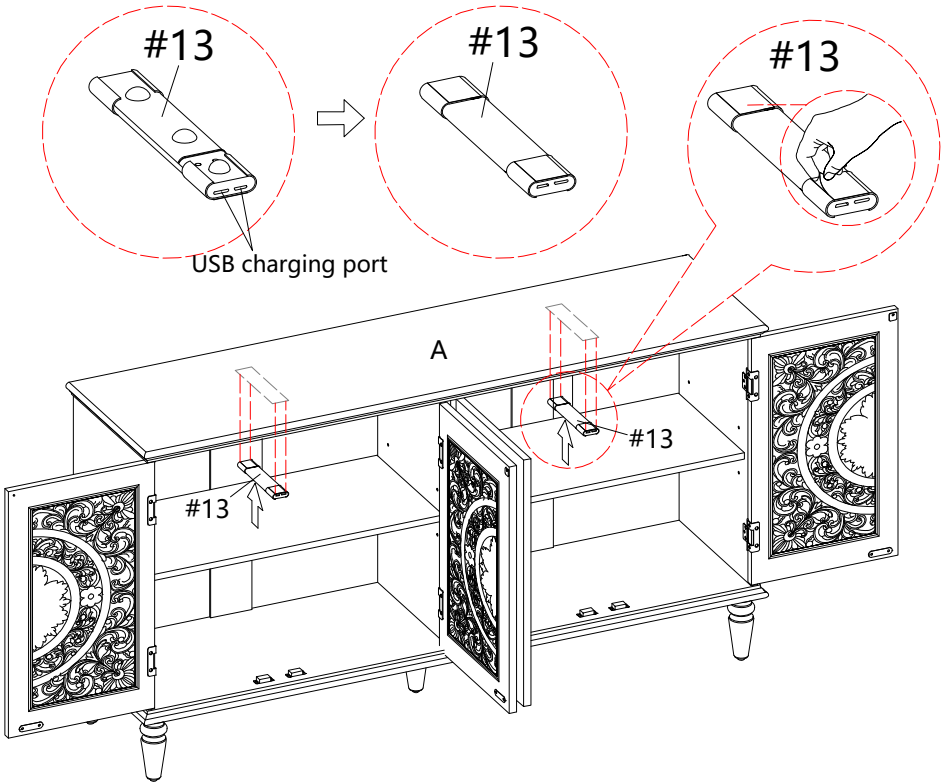
- 1.Set [night] induction mode, under the condition of sufficient light, the lamp will not light up when it senses people, only under the condition of insufficient light and sensing people will automatically light up.
- 2.Set the induction mode [during the day], whether the light is sufficient or not, the lamp will automatically light up when it senses people.
- 3.After people leave the induction area, the lamp will be automatically extinguished in about 25 seconds.
- 4.If the person keeps moving in the sensing area, the light will keep on.

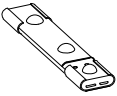


ASSEMBLY INSTRUCTIONS



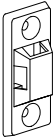

STEP-20

After adjusting the induction lamp #13 to your favorite light source, as shown in the figure, remove the back protective layer and attach the induction lamp #13 to the panel(A).



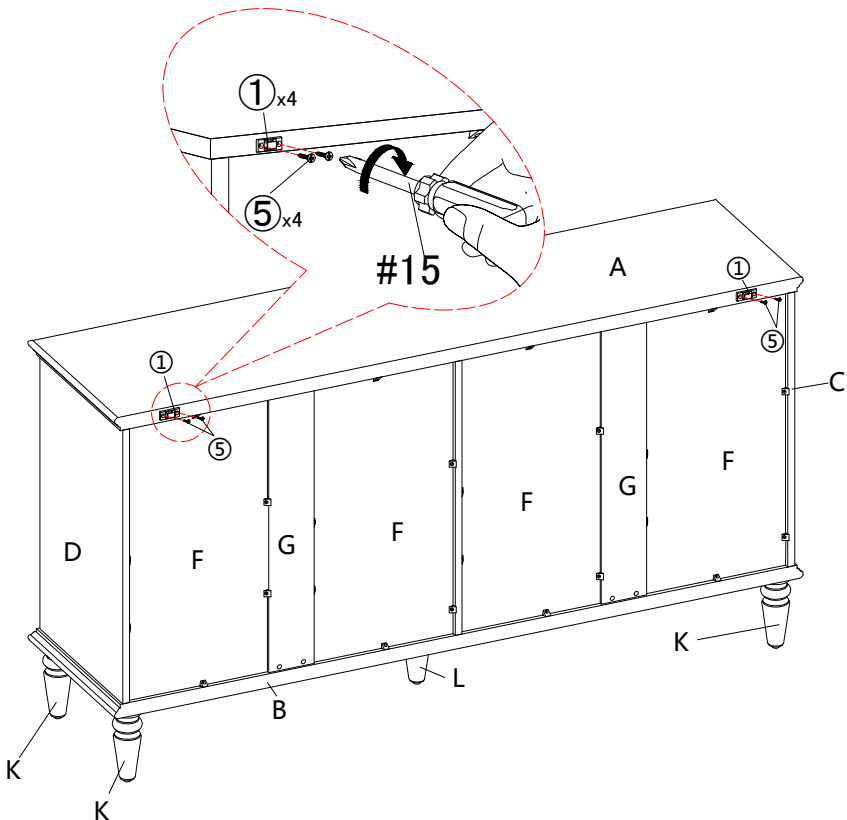
#13	x2
	

ASSEMBLY INSTRUCTIONS



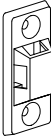


#15	x1	#10	x2	①	x2	⑤	x4
							

STEP-21

Use nylon packaging #10 Inside screw ⑤ to attach bracket ① to the corresponding hole of top panel(A), tighten screw with screwdriver #15.

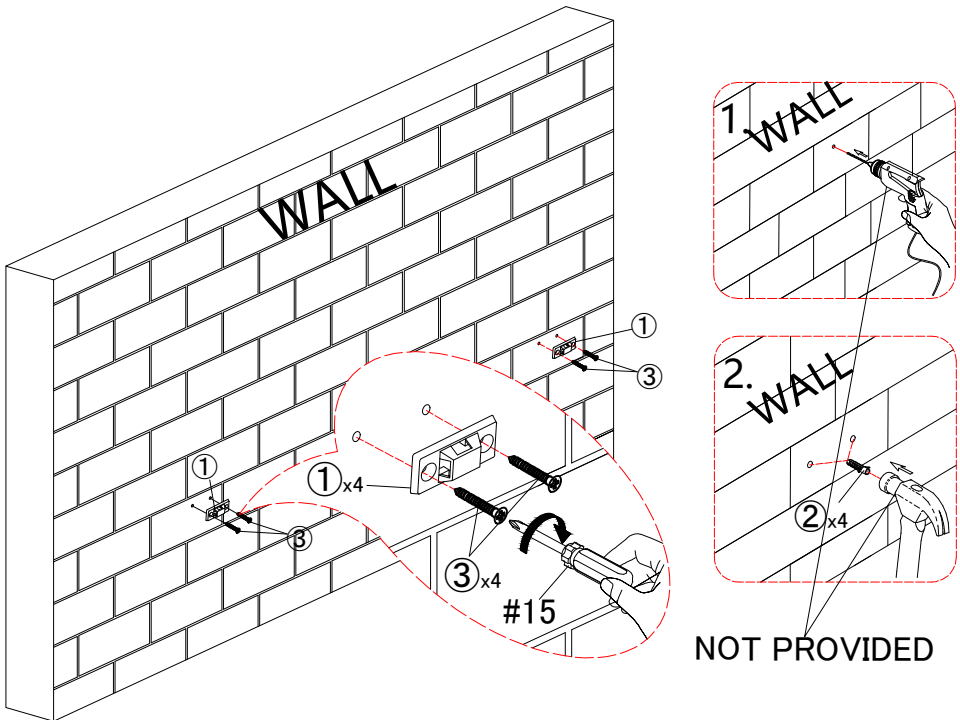


ASSEMBLY INSTRUCTIONS

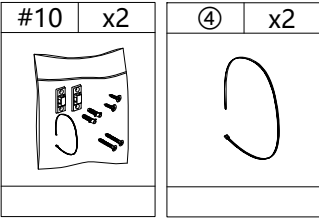
#15	x1	#10	x2	①	x2	②	x4	③	x4
									

STEP-22:

1. Mark the position on the wall, that corresponds to the location of bracket ① on the back of top panel A; Drill and insert the expandable screw ② by hammer.
2. Assemble the bracket ① to the wall. Align the hole in the bracket ① with the expandable screw ②, use screw ③ to attach it, tighten screw ③ with screwdriver #15.

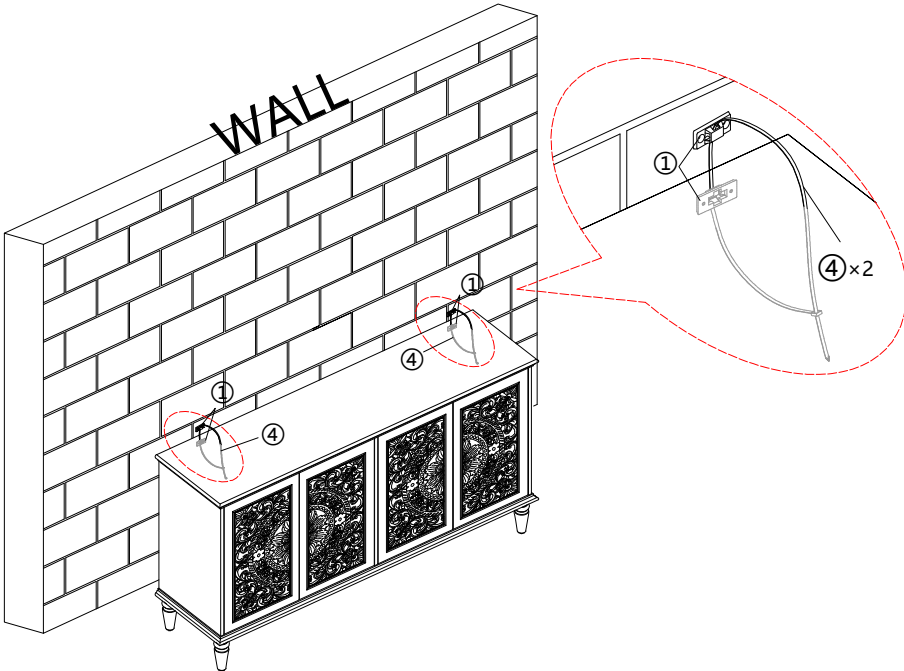
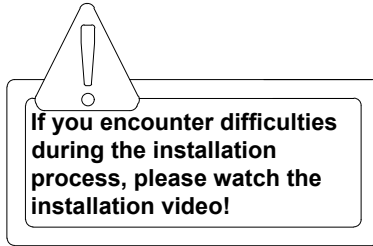


ASSEMBLY INSTRUCTIONS



STEP-23

3. Let the plastic belt ④ pass through bracket ① and pull tightly.



WARRANTY

1. We strive to offer high-quality products, and we also try our best to satisfy each and every customer that orders from us with product or service as needed.
2. We provide 30 days warranty starting from the time you receive the item. Each customer must provide a record of their order such as the order number, or item receipt for any items that are out of the warranty period you may also still receive.
3. Replacement parts by purchasing them with our company if they are available.

Are you having difficulty
With assembly? Missing parts?
Please send email with your order No to
customerservice@hulalahome.com
For return, please check the return policy with
the retailer or market place you bought from.

Appreciate your purchasing from us.
Pop up your life by our furniture piece!