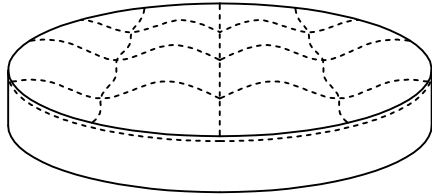


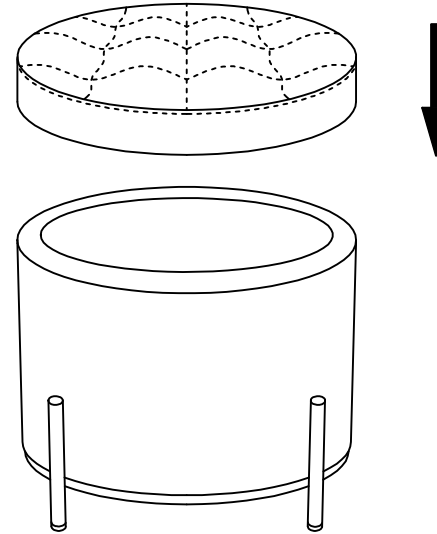
# Assembly Instructions

Item No:OTDT0247

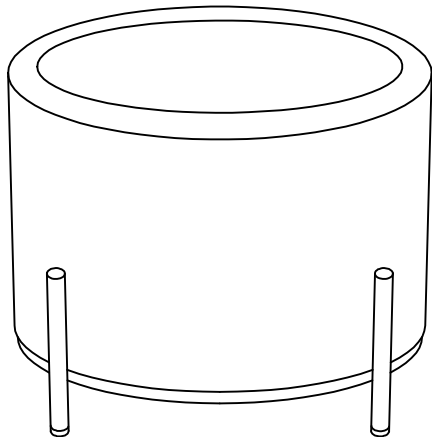
A\*1



- ① Take the seat cushion A off from bottom of the stool then place it on top of the base B.



B\*1



- ② Assembly completed.

