

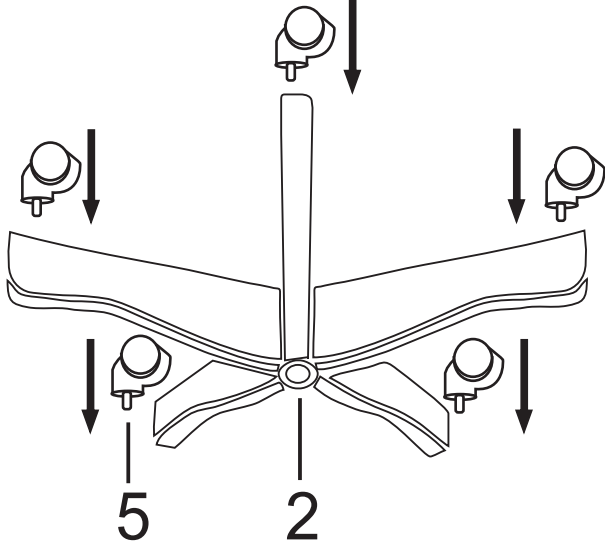
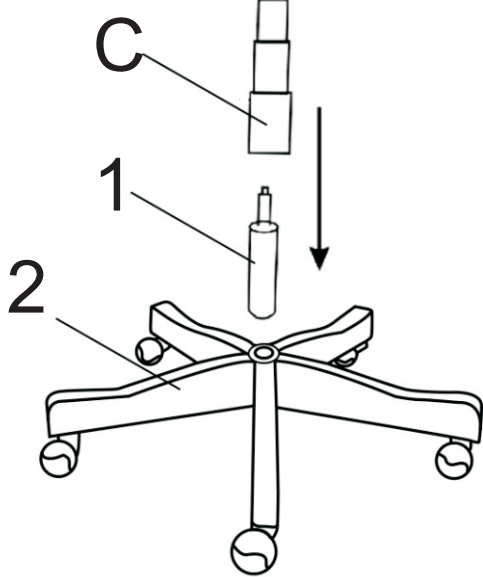
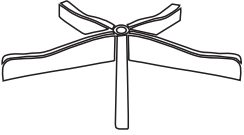

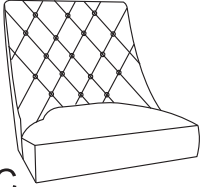

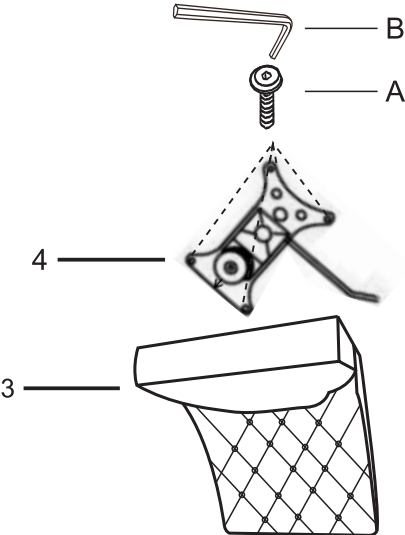
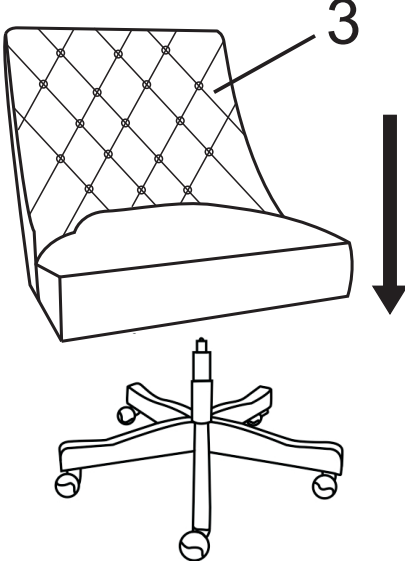
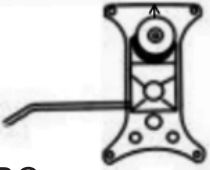

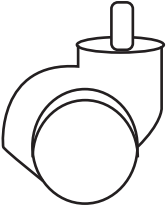


<p>1</p>  <p>1 PC</p>	<p>A</p>  <p>4 PCS</p>	<p>STEP 1</p> 	<p>STEP 2</p> 
<p>2</p>  <p>1 PC</p>	<p>B</p>  <p>1 PC</p>		
<p>3</p>  <p>1 PC</p>	<p>C</p>  <p>1 PC</p>	<p>STEP 3</p> <p>Do not fully tighten the bolts until all the bolt align with the hole. Pls be sure you align the hole first.</p> 	<p>STEP 4</p> 
<p>4</p>  <p>1 PC</p>	<p>D</p> <p>EXTRA PARTS</p>  <p>1 PC</p>		
<p>5</p>  <p>5 PCS</p>			