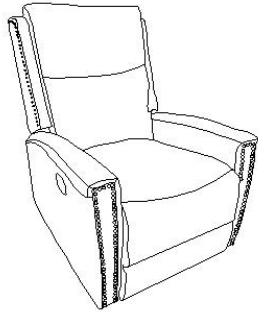


Assembly Instructions

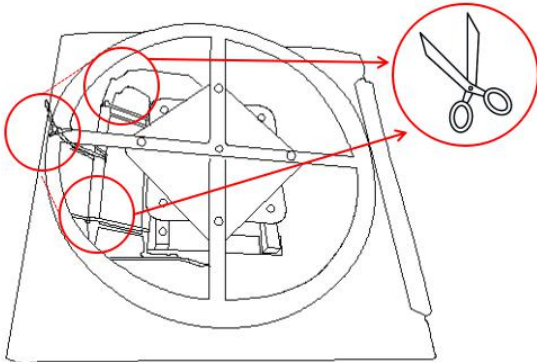
ITEM NO: LBL5260

1. Remove all parts from the carton and place them on a protected surface or carpet. Take out the back (2) and wings (3) out of the package.

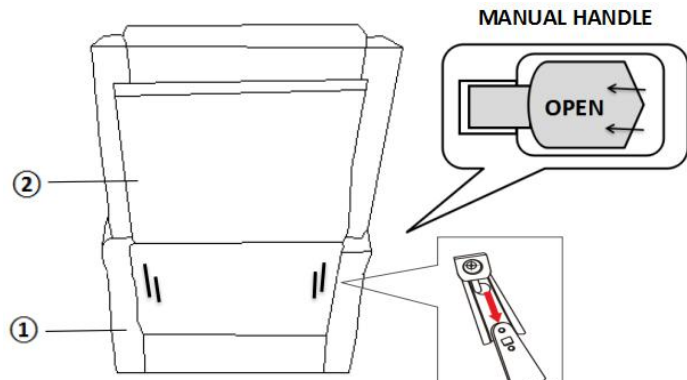


No.	Parts	Quantity
1		1
2		1
3		2

2. Turn over the seat (1), find 4 ribbons tied as photo shown, and cut them off to let the swivel base free.



3. Attach the back cushion (2) to the seat cushion (1) by sliding the receivers into the mechanism posts located on the seat cushion (1). From the back of the recliner, press down on both sides of the back cushion (2) to firmly secure. The back cushion (2) and seat cushion (1) will automatically lock into place. Then pull the back flap down tightly and attach the back flap to the bottom of the seat cushion (1).



4. Attach the back wings (3) to the back body. Make sure the male and female brackets align as shown. Make sure the left/right side wing matches each side correctly, and left/right wings set leveled.

LEFT SIDE FACING WING

RIGHT SIDE FACING WING

