

## WARRANTY

We strive to offer high-quality products, and we also try our best to satisfy each and every customer that orders from us with product or service as needed. We provide 30 days warranty starting from the time you receive the item. Each customer must provide a record of their order such as the order number, or item receipt for any items that are out of the warranty period you may also still receive replacement parts by purchasing them with our company if they are available.

**Are you having difficulty  
with assembly? Missing parts?**

**Please send email with your order No  
[customerservice@hulalahome.com](mailto:customerservice@hulalahome.com)**

**For return, Please check the return policy with  
the retailer or MarketPlace you bought from.**

**Appreciated your purchasing from us.  
Pop up your life by our furniture piece!**

# HULALA

---

H O M E



**ITEM NO. HSCLS0494**

---

### NOTE:

This brochure contains IMPORTANT safety info. Please read and keep for future reference.

---

# MAINTAINANCE AND WARNING

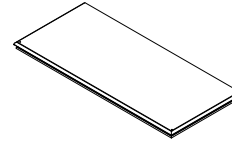
- Keep furniture away from heat.
- Do not clean furniture with harsh cleansers or polish. Do not use detergents, Solvents, abrasives, spray packs or leather cleaner. Use non-color mild soap with warm water clean spills(Mix 1:10 soap to water)
- Do not place furniture under direct sunlight, material will possibly fade over time.
- Do not use on site dry Cleaning machine.
- Children should not climb or jump on the furniture.
- Do not write on furniture without a padded barrier to protect the surface.
- Not for commercial use, For residential use only.



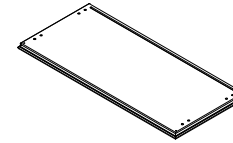
Weight Limitation

**110LBS**

# PARTS LIST



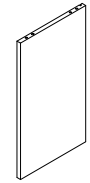
A: X1



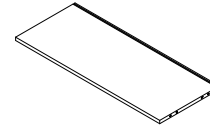
B: X1



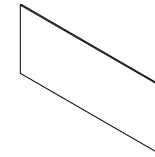
C: X1



D: X1



E: X1



F: X2



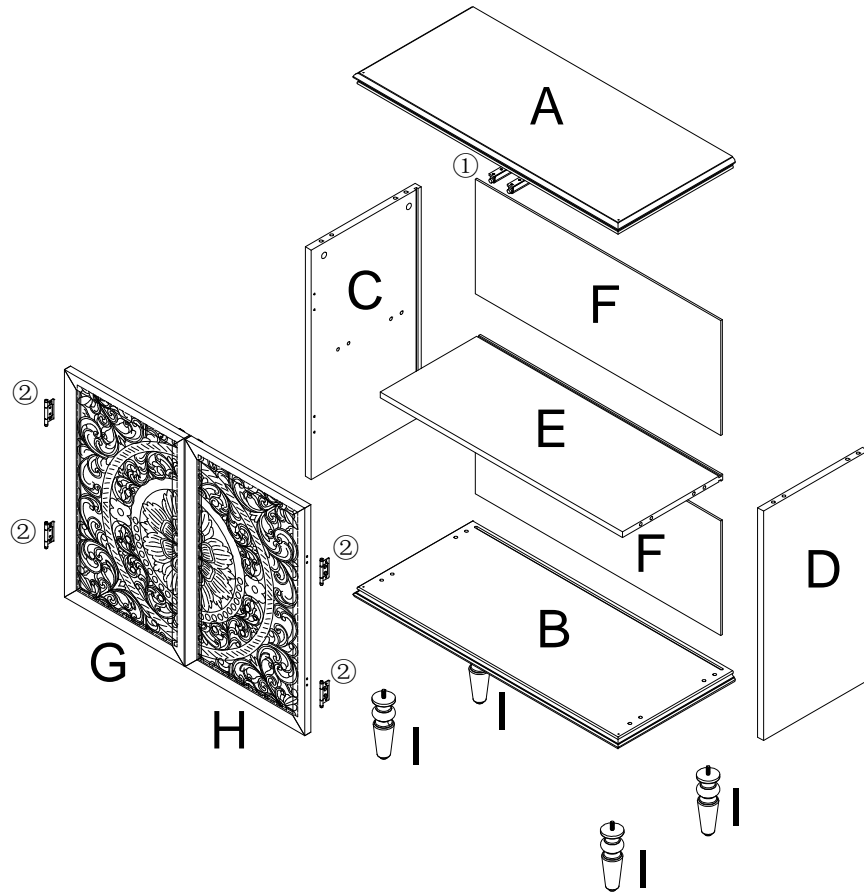
G: X1



H: X1

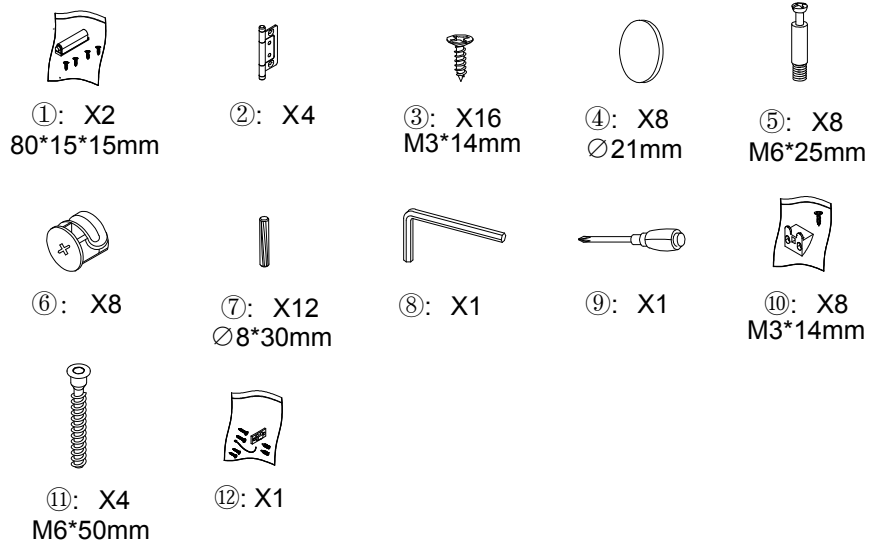


I: X4

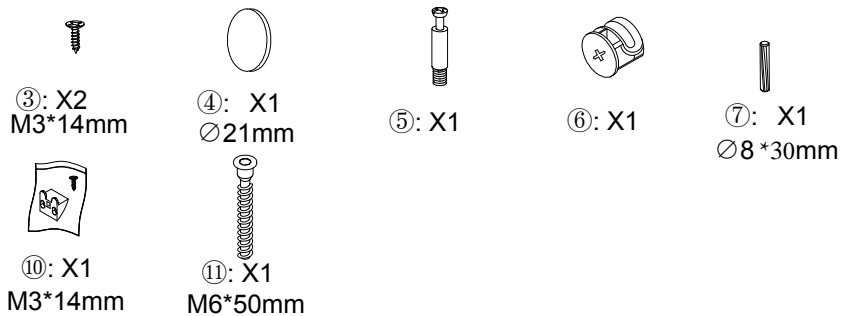


# OVERVIEW

# HARDWARE LIST

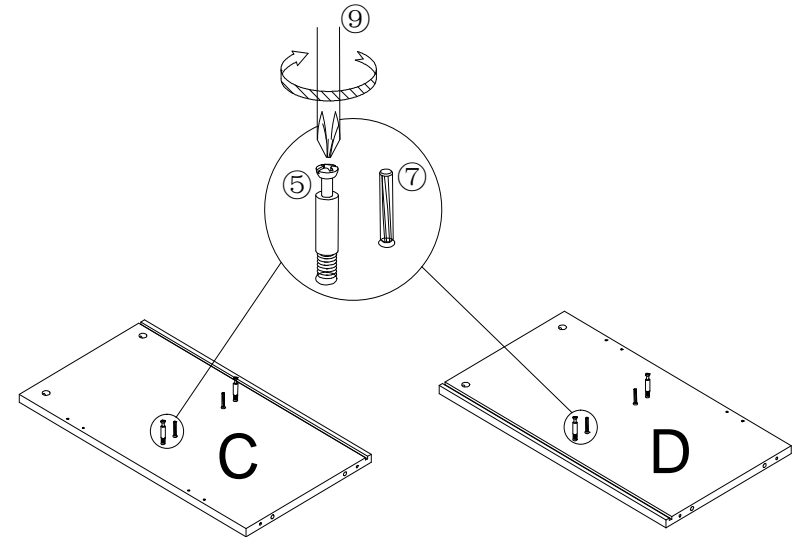


# SPARE

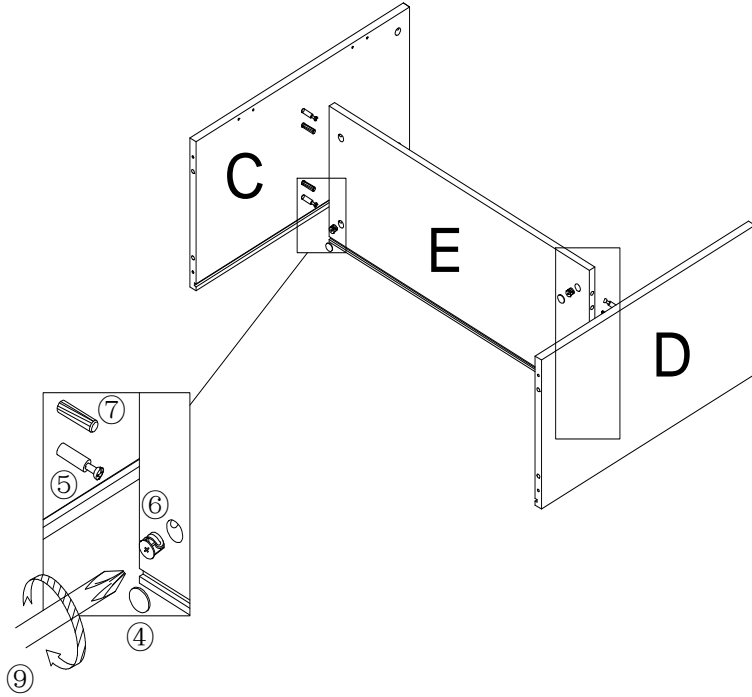


Be sure to check all packing material carefully for small parts, which may have come loose inside the carton during shipment.

# ASSEMBLY INSTRUCTIONS

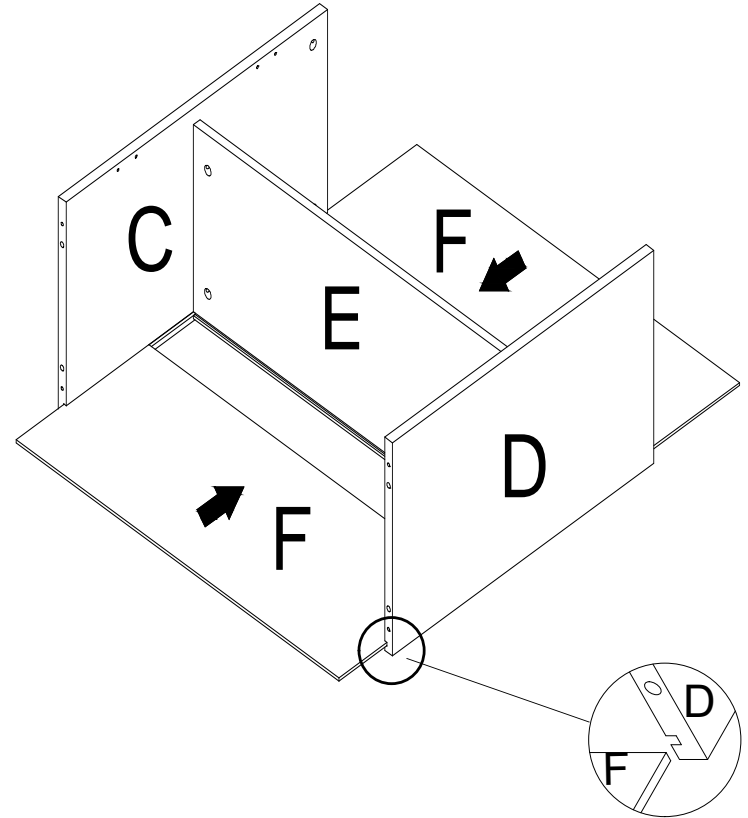


STEP 1: Place panel C/D on clean padded surface,  
 1. Insert wooden dowel #7 into the predrilled hole in panel C/D by hand.  
 2. Use screwdriver #9 to fasten cam bolt #5 into holes on panel C/D.

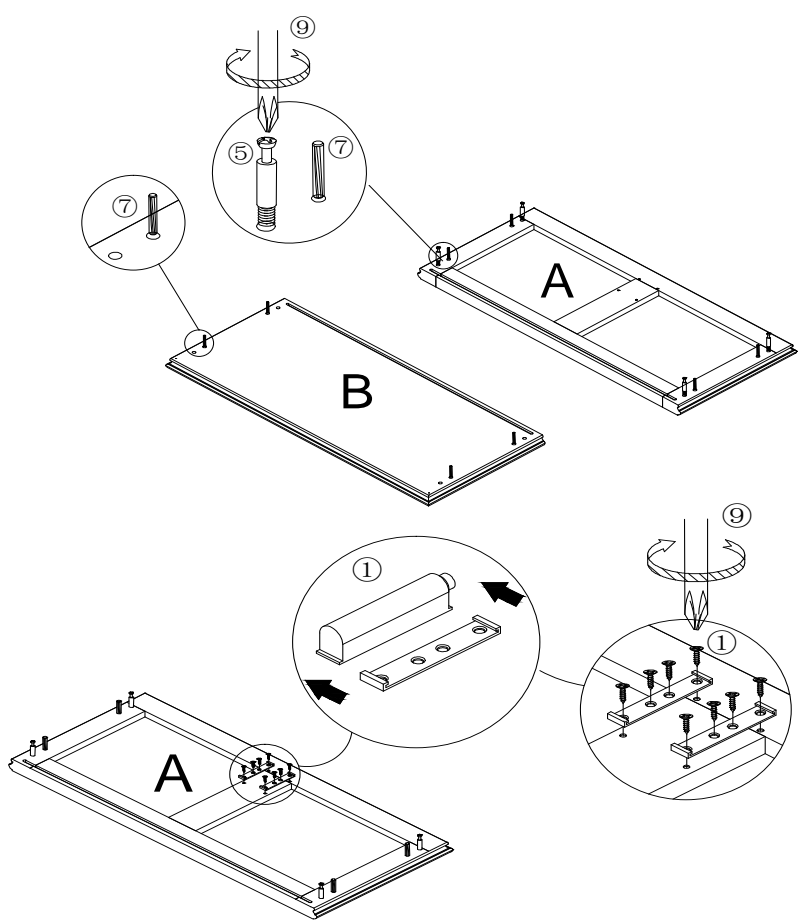


STEP 2: Assemble the panel C,D,E together.

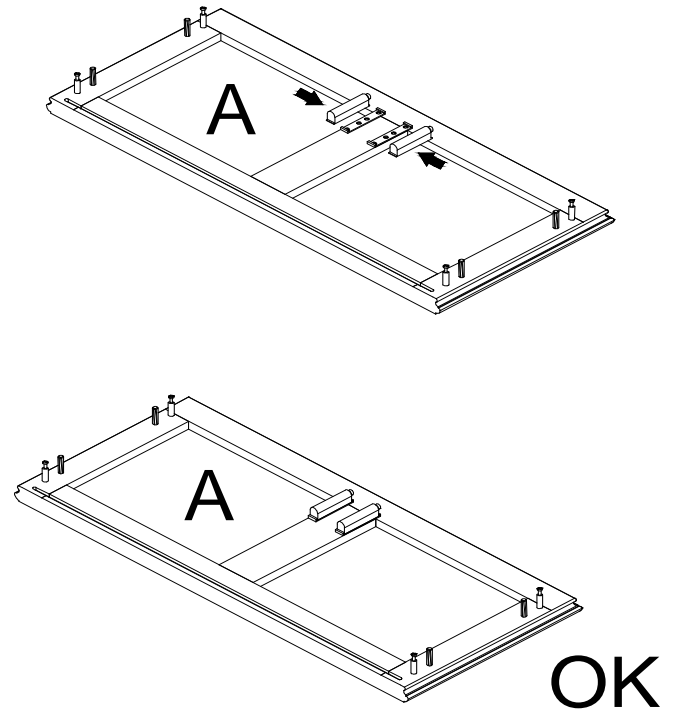
Align the hole in the panel E ,insert the cam bolt #5 on panel C,D into the holes, then put the nut #6 and tighten by screwdriver #9. Use sticker #4 to cover the cam nut.



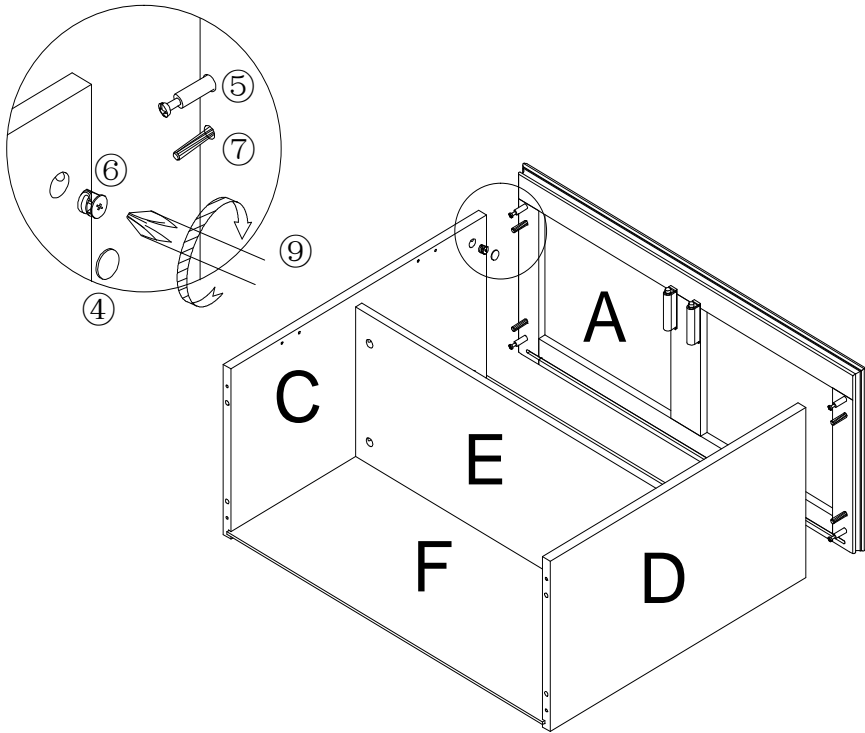
STEP 3: Slide the panel F into the groove in panel C, D and E



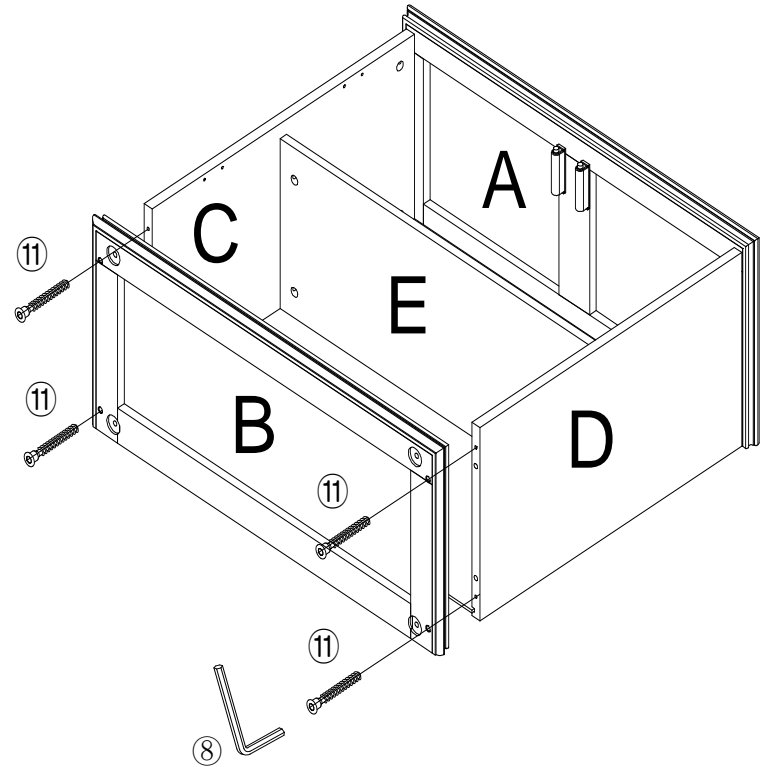
STEP 4: Place panel A and B on clean padded surface,  
 1. insert wooden dowel #7 into predrilled hole in panel A and B by hand.  
 2. Use screwdriver #9 to fasten cam bolt #5 into holes on panel A.  
 3. Slide the upper part of push catch to release the mending plate. Use screwdriver #9 and screw #1 to attach the mending plate of push catch #1 to panel A, make sure the screw heads are flush.



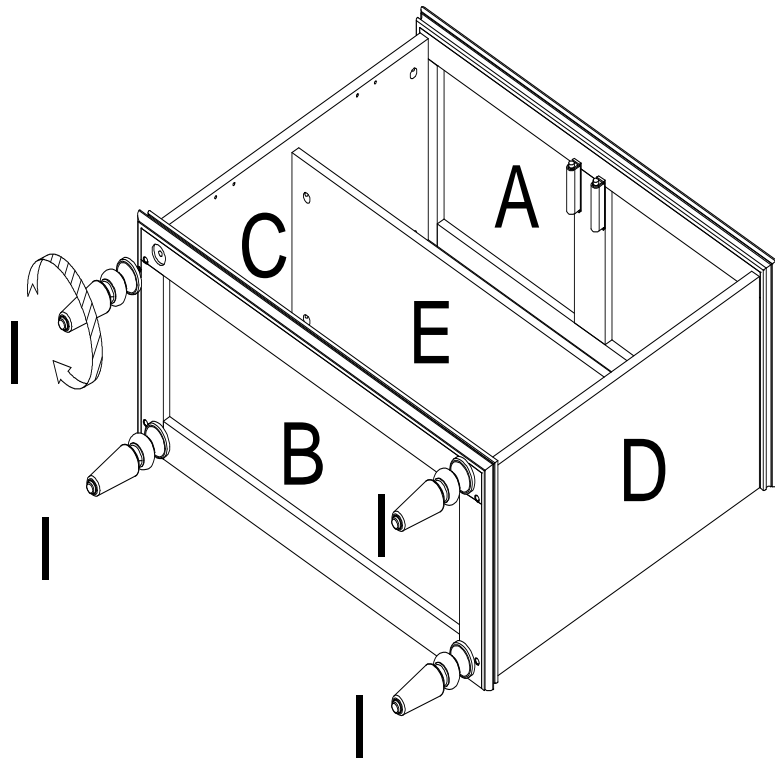
STEP 5: Slide the upper part of push catch back to the mending plate and secure according to sketch above.



STEP 6: Hold the panel A with 2 person then carefully align cam bolt #5/Wood dowel #7 with holes on edge of panel C/ D. Please don't force down panel A before all cam bolt or wood dowel properly aligned. then put the nut #6 and tighten by scwdriver #9. Use sticker #4 to cover the cam nut.

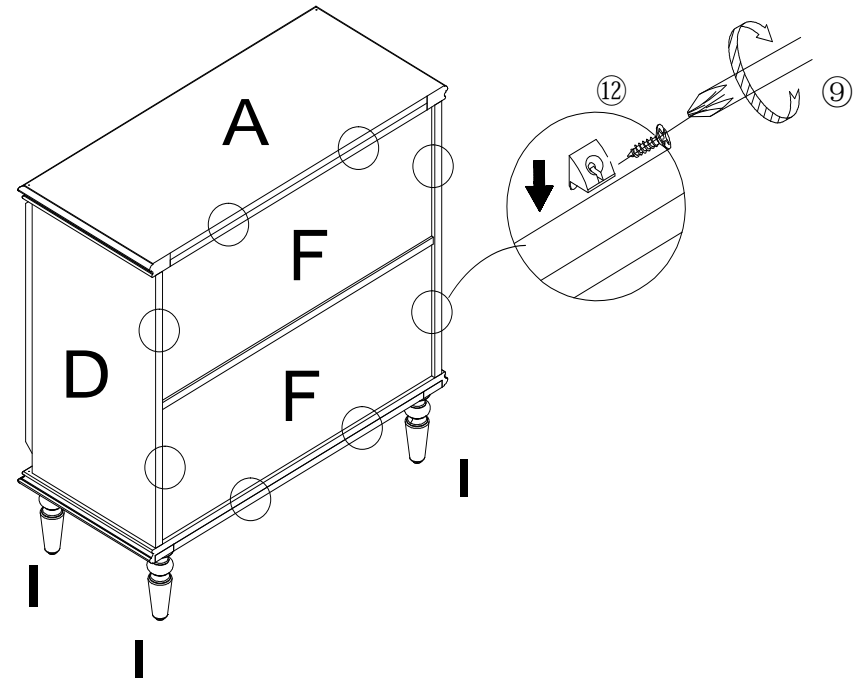


STEP 7: With help of adult partner, set the panel B vertically, use allen key #8, screw #11 to connect panel C/ D with panel B. Fasten all screws to secure.



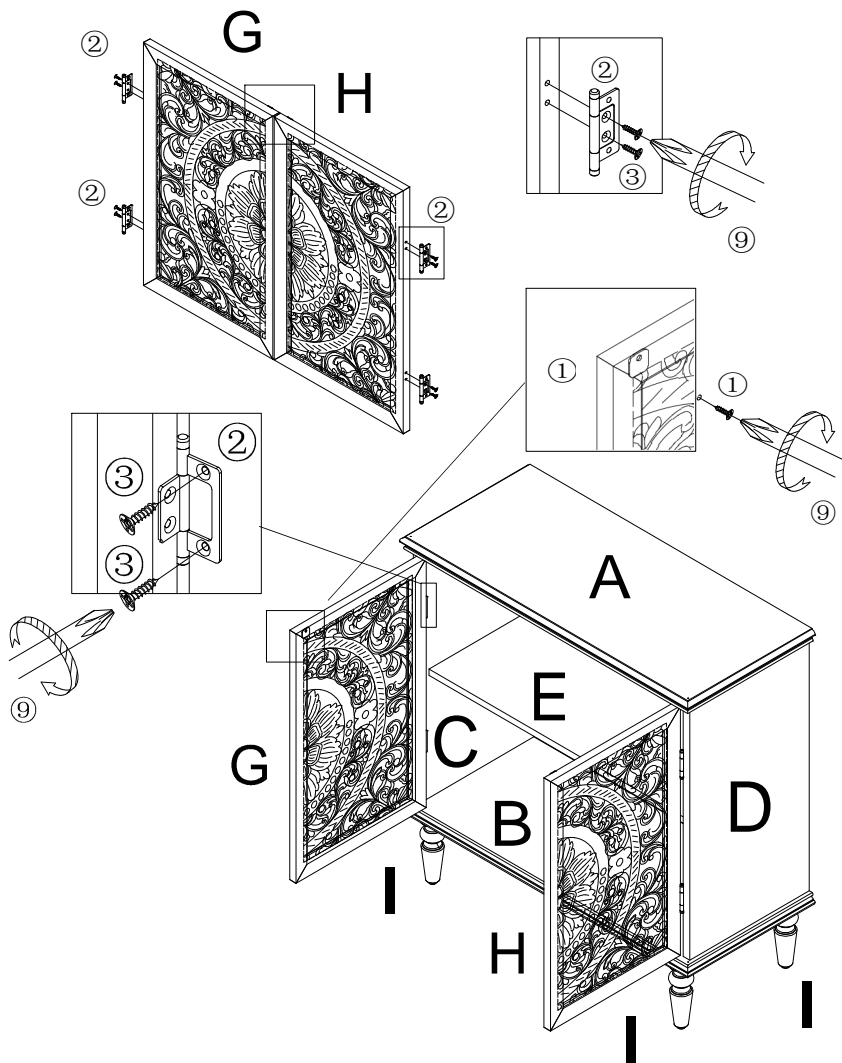
STEP 8 : Attach the legs.

Lay down the whole unit,align the bolt on feet I with bolt hole on panel B,turn to fasten all feet.

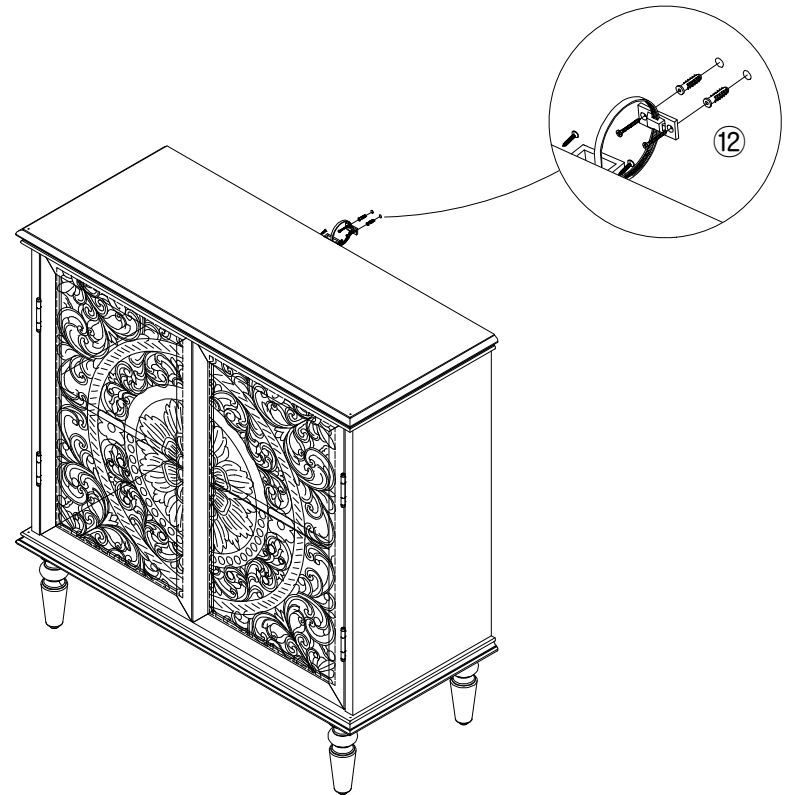


STEP 9: Insert plastic bracket #12 in between back panel and groove on panel A/B/C/D, use screwdriver #9 to fasten screws in order to secure back panel.





STEP 10: Use screwdriver #9 and screw #3 to attach hinge to pilot hole on edge of door frame G/H, fasten to secure. Hold the door G/H then use screwdriver #9 and screw #3 to attach door to panel C/D. Use screwdriver #9 and screws to attach mending plate #1 to Upper corner of door G/H.



STEP 11: Please be sure to attach the tipping kits and keep it permanently for safety. Failure to use tipping kits may lead to dangerous circumstances to kids during daily use.