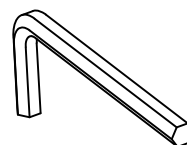
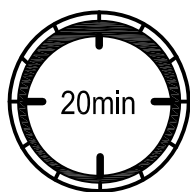
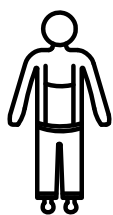
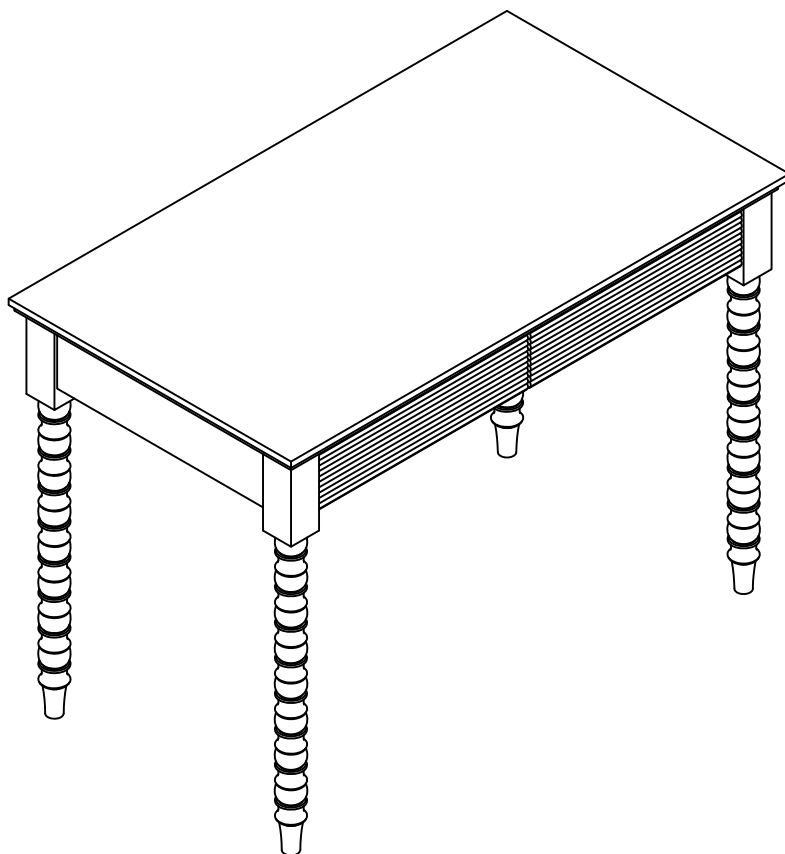





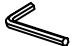
# Leroy Desk

DKMH0190




---

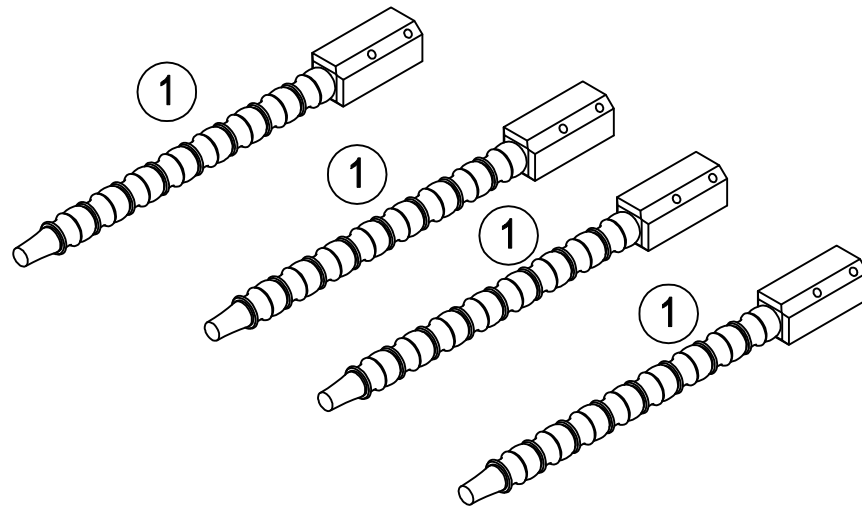
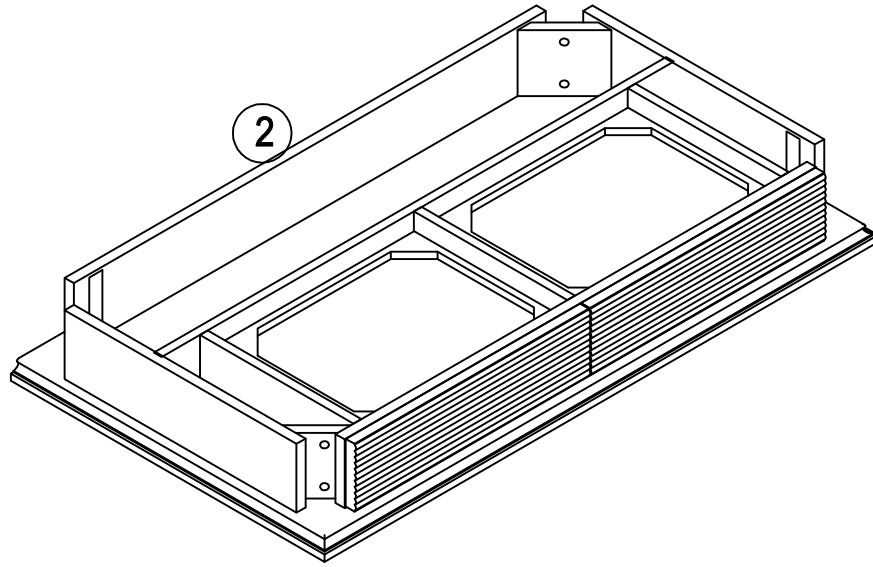


# DKMH0190

A		Ø5/16*2"	8	PCS	C		Ø5/16*13mm	8	PCS
B		Ø5/16*19mm	8	PCS	D		5mm	1	PC

**(EXTRA PARTS)**

AX1	
BX1	
CX1	



Check all parts according to parts and hardware list make sure all parts present before assembly as some small parts may come loose during transit. Place all parts on clean padded surface and line up according to sequence of assembly.

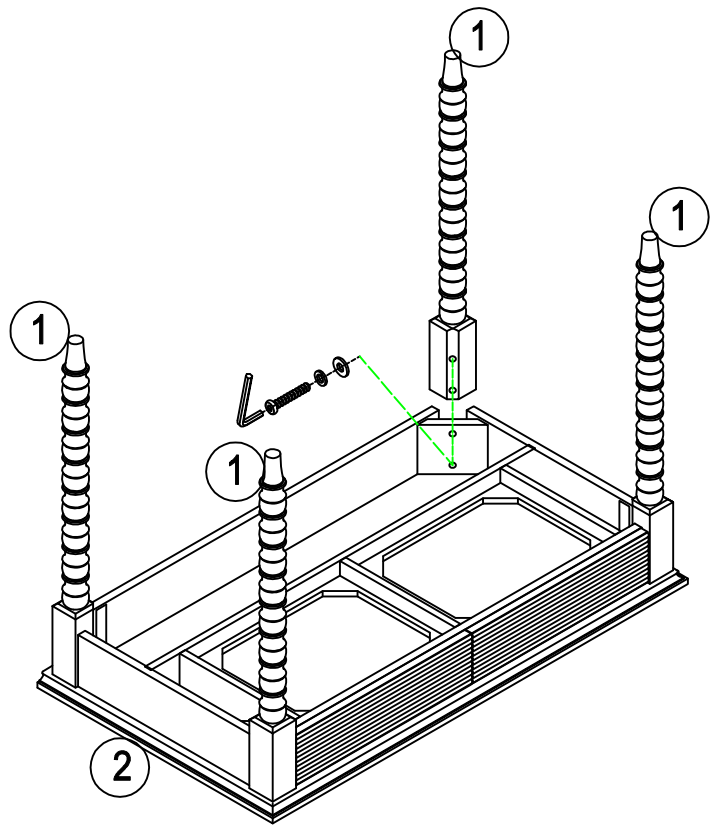
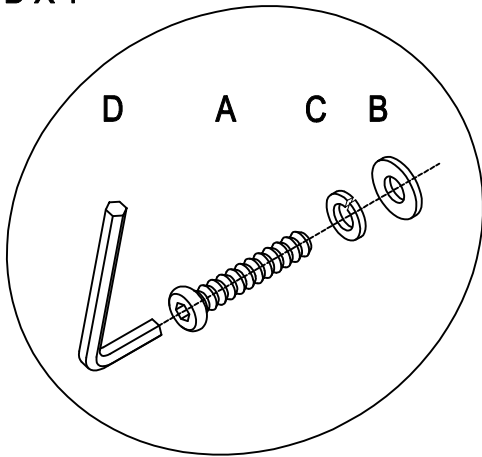
## STEP 1

AX8

BX8

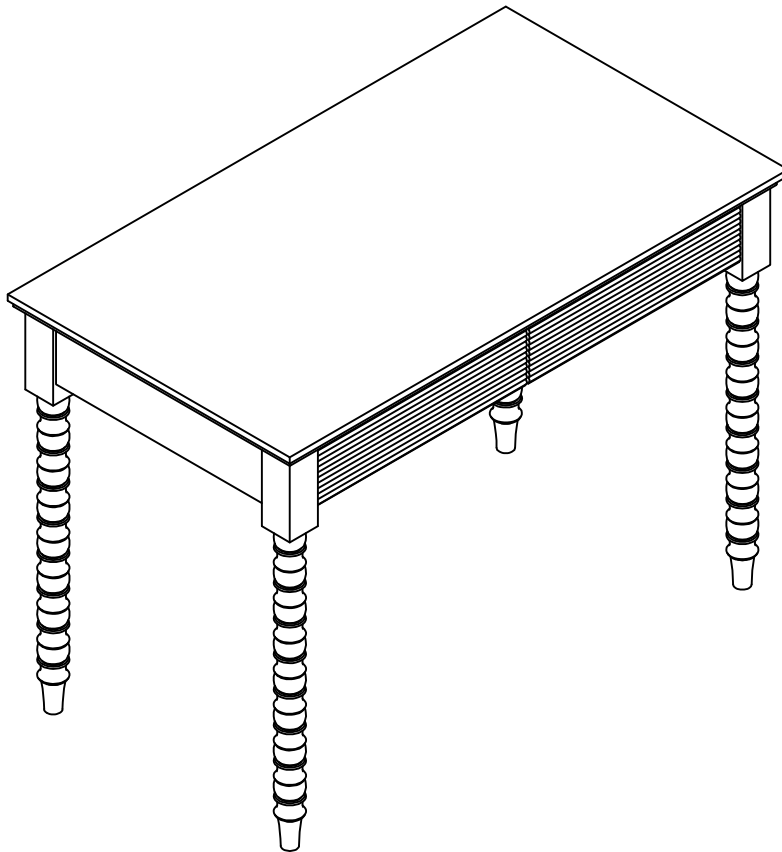
CX8

DX1



Attach legs 1 to wood top 2 by using bolt A, lock washer C, flat washer B and allen key D as shown.

## STEP 2



# Returns Policy

Dear Buyer,

**Thanks for your support at us! We want you to be happy with your purchase from us. As we work to exceed your quality and service expectations, sometimes we fall short. In those cases, if you are not satisfied with the item purchased from us, we will gladly accept unused return items within 30 days after the original purchase date. Below policy can help you deal with your returns or exchanges smoothly.**

## **Returned Product & Packing**

\*Please keep in mind that furniture is vulnerable to damage during shipping. For this reason, it's important that you please keep and use the original packaging materials for any items you wish to return especially for chair legs.

\*To help us identify your package and quicker process refunds, please ensure the package shows your order id and kindly inform us when you ship the returns out.

## **Return Shipping Cost**

You will be responsible for the return shipping cost. You will need to paid for the return shipping label when shipping items out or the shipping cost will be deducted from the refunds when you get provide prepaid shipping label from us.

## **Refunds**

\*Please allow 10-15 business days after it's received to inspect your return and process your refunds. Allow a minimum of 30/45 days for the return/credit process and posting for a credit card you will be credited in the same manner as the original purchase was made.

\*Shipping and Handling charges are not refundable, including residential fees.

\*If the returns arrived in unsalable condition, a restocking fee of 15% of the item price may apply. We are unable to issue refunds for products returned that are soiled, totally damaged or missing parts.

\*The refund, less shipping & restocking fees, will be made within 30 days of return and may be delayed due to any damage claim by the carrier. Refund approval is dependent on inspection results.

## **Exchanges**

If the item does not arrive as described or is damaged, please feel free to contact us. We will fix the issue and ensure you're satisfied with the resolution.