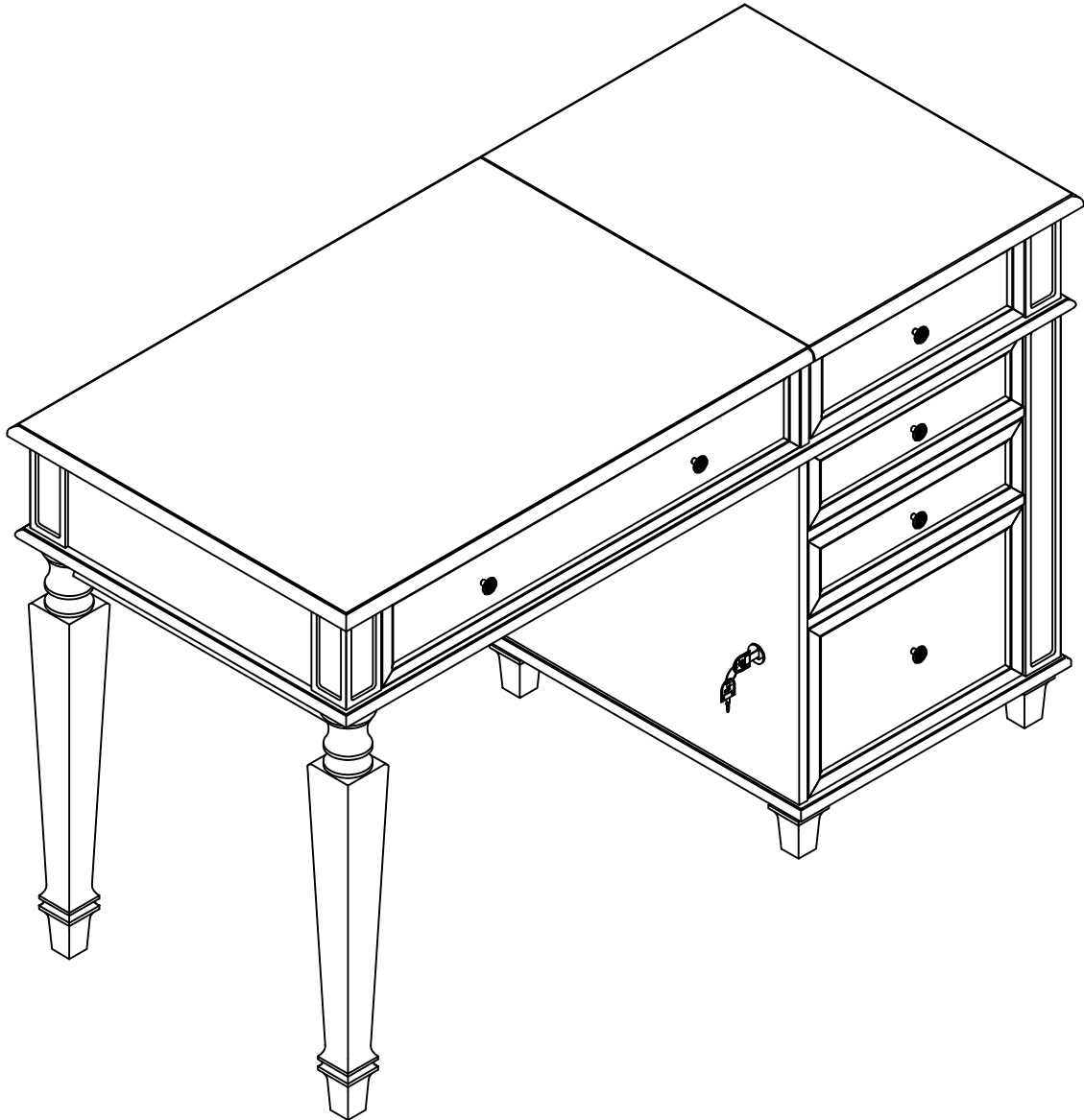


# HULALA

---

H O M E



**ITEM NO.DKHE0990**

---

**NOTE:**

This brochure contains IMPORTANT safety info. Please read and keep for future reference.

---

# MAINTAINANCE AND WARNING

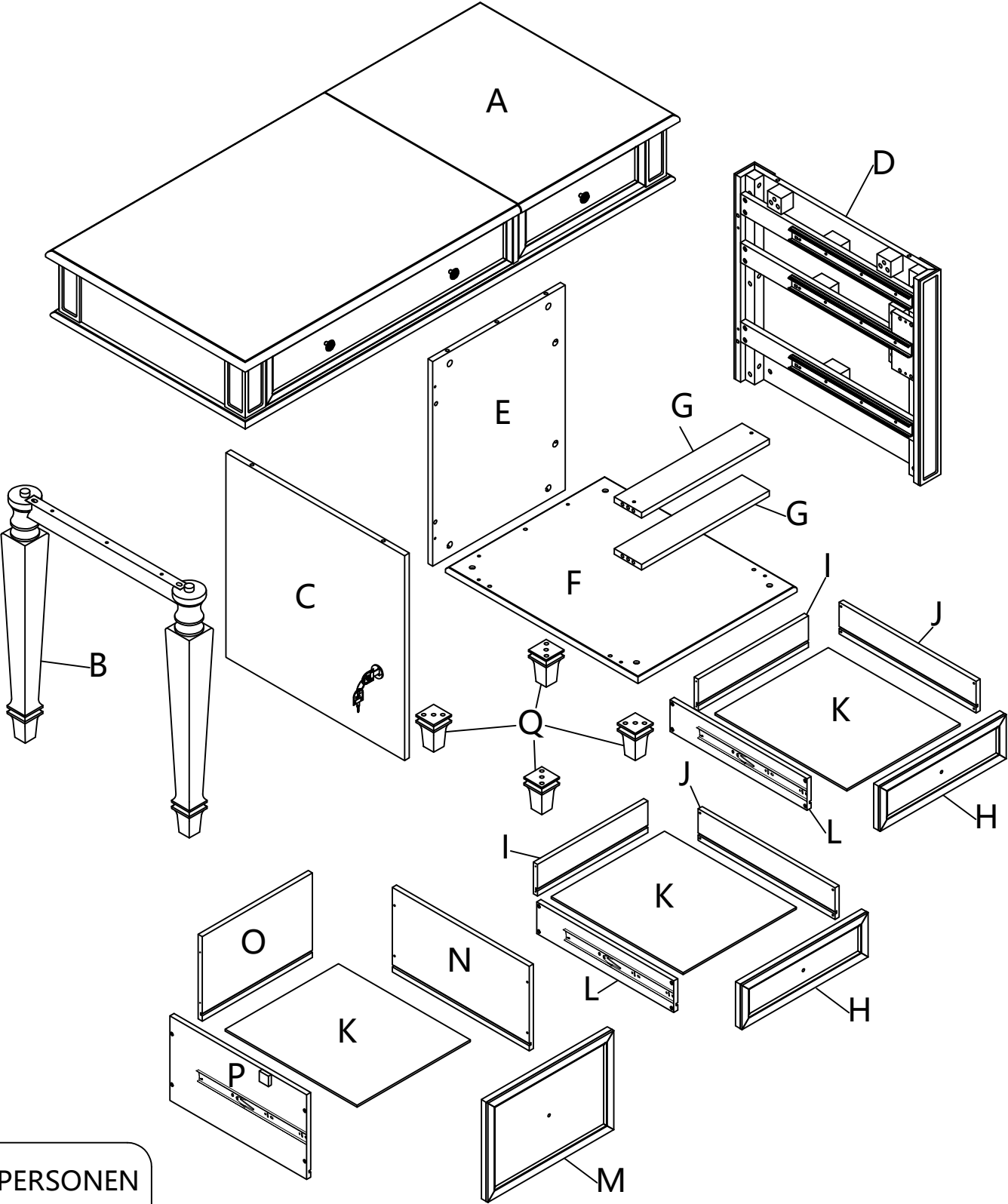
- 1.Keep furniture away from heat sources.
- 2.Do not clean furniture with harsh cleaner or polishes.Do not use detergents,solvents,abrasives,spray packs or leather cleaner. Use non-color mild soa with warm water to clean spills(Mix 1:10 soap to water).
- 3.Do not place furniture under direct sunlight,material will possibly fade over time.
- 4.Do not use on site dry cleaning machine.Children should not climb or jump on the furniture.
- 5.Do not write on furniture that is not protectedby a padded barrier.
- 6.Not for commercial use,only for residential use.



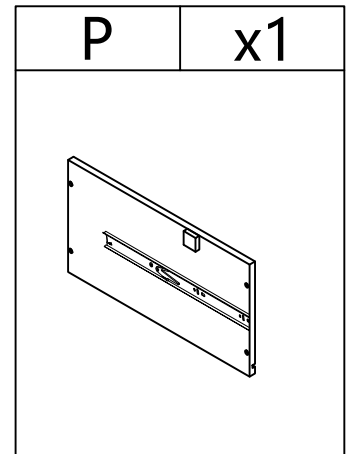
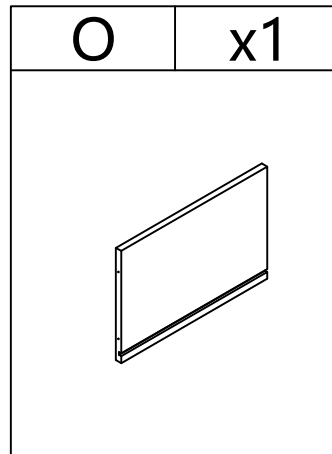
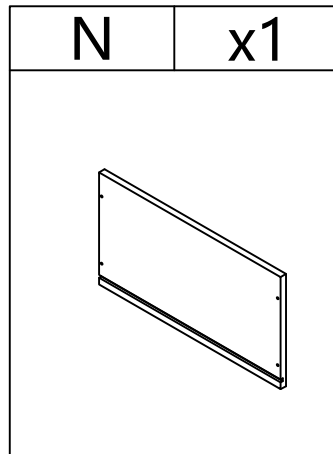
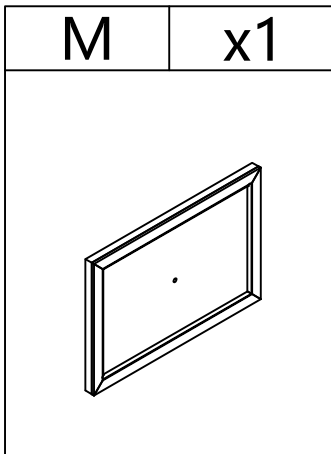
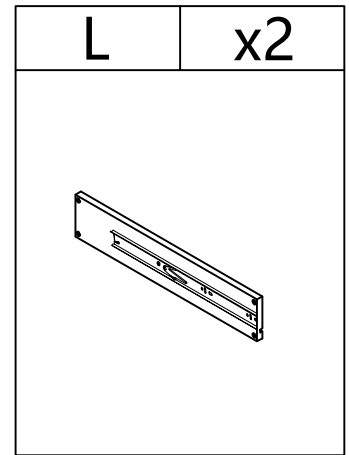
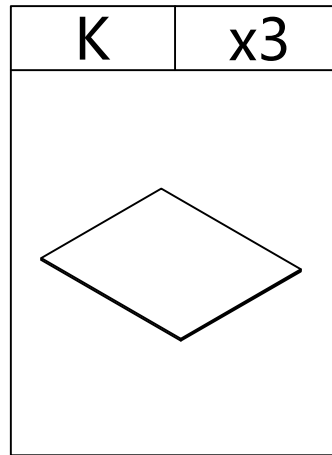
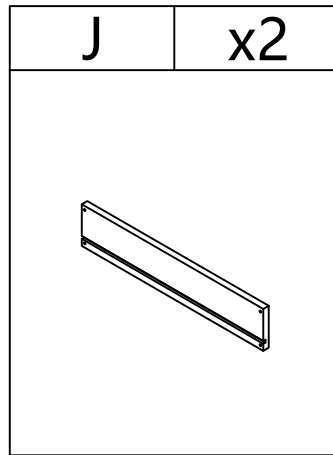
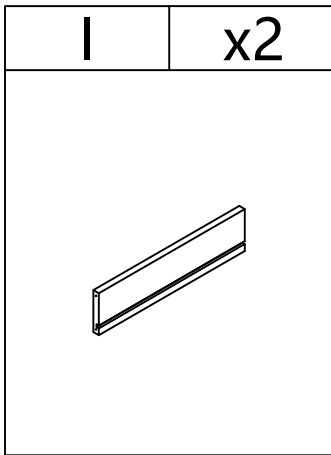
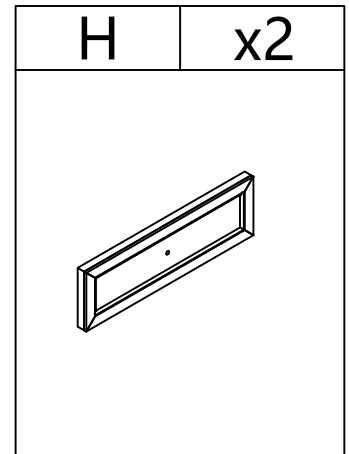
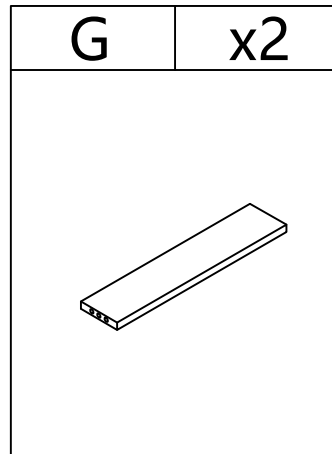
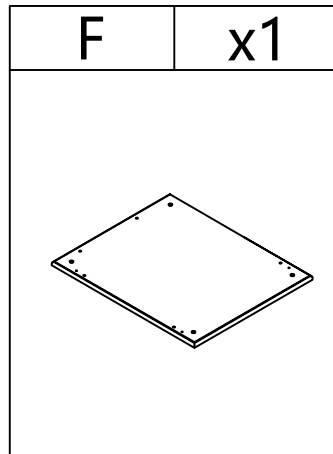
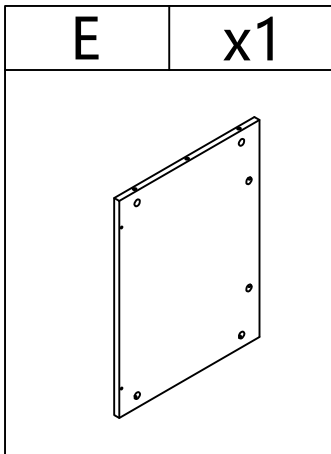
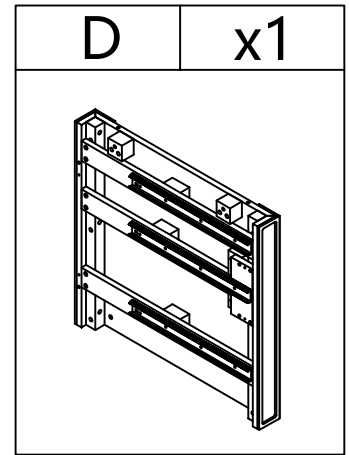
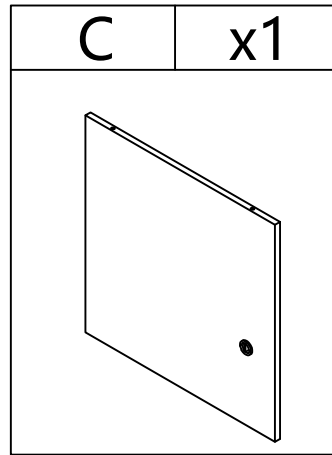
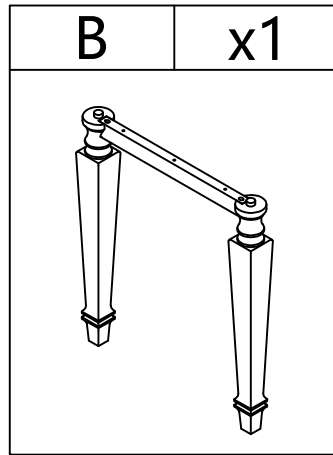
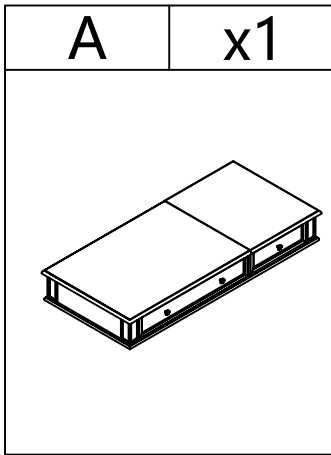
Weight Limitation

**150 LBS**

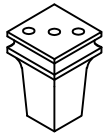
# EXPLOSIVE VIEW






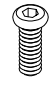



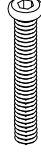


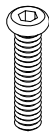


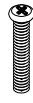


# PARTS LIST



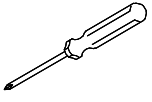
# PARTS LIST

Q	x4
	






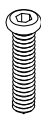

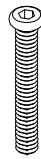
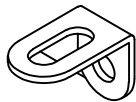

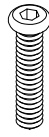

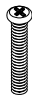
# HARDWARE LIST

#1	x12	#2	x30	#3	x12	#4	x8	#5	x16	#6	x4
											
Φ1/4"*35mm		Ø8x30mm		Φ15*10mm		1/4"*12mm		1/4"*16mm		1/4"*32mm	
#7	x4	#8	x4	#9	x4	#10	x3	#11	x3	#12	x1
											
1/4"*10mm		1/4"*50mm		32*20*18*2mm		5/16"*19mm		5/16"*45mm		110*4mm	
#13	x24	#14	x3	#15	x3	#16	x1				
											
4*32mm		5/32"*1-1/4"mm									

# TOOL LIST


not include

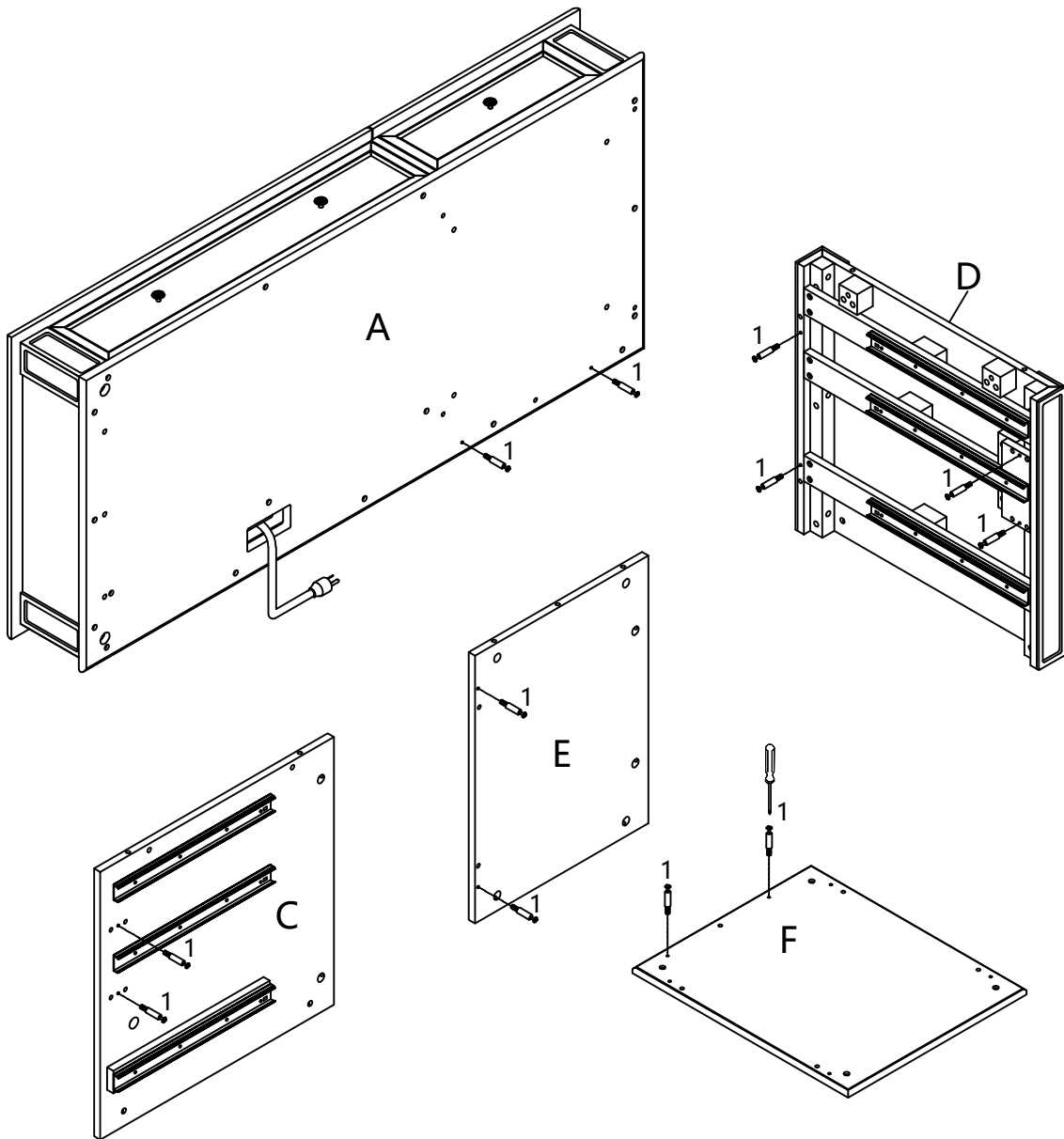
# HARDWARE SPARE LIST

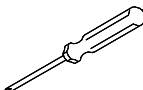

#1	x1	#2	x1	#3	x1	#4	x1	#5	x1	#6	x1
											
Φ1/4"*35mm		Ø8x30mm		Φ15*10mm		1/4"*12mm		1/4"*16mm		1/4"*32mm	
#7	x1	#8	x1	#9	x1	#10	x1	#11	x1	#13	x1
											
1/4"*10mm		1/4"*50mm		32*20*18*2mm		5/16"*19mm		5/16"*45mm		3.5*32mm	
#14	x1										
											
5/32"*1 1/4"mm											

# ASSEMBLY INSTRUCTIONS

## STEP-1

1.Align the holes in part( A,C,D,E,F), tighten with screwdriver  
tighten #1.



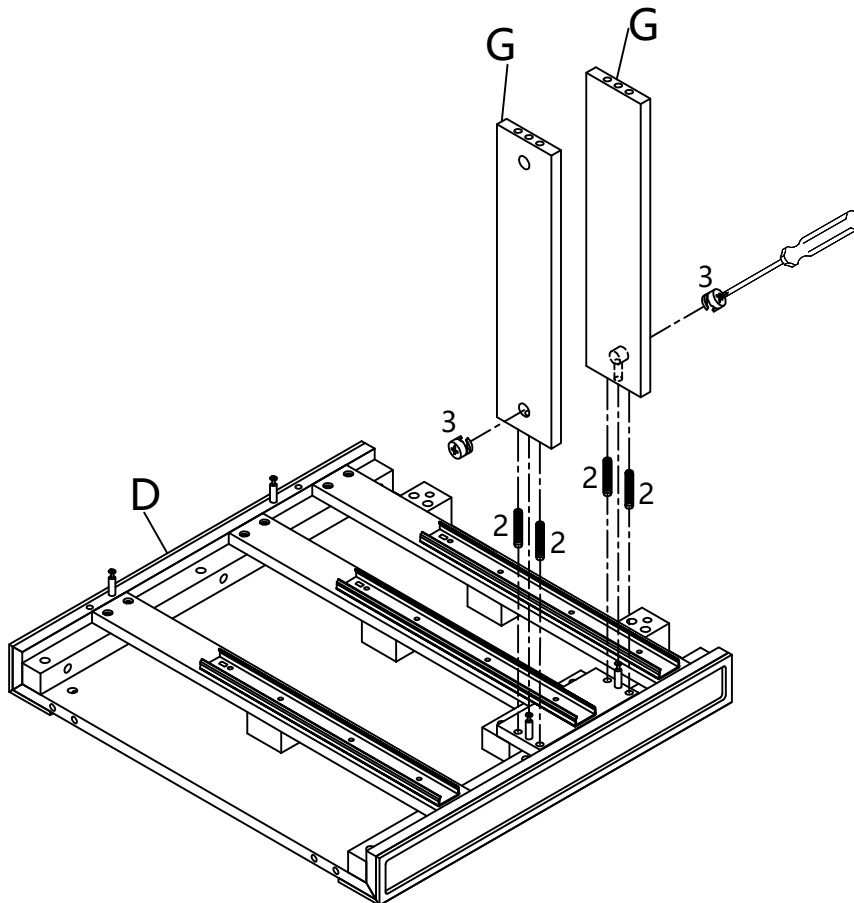
	#1	x12
		
	Φ1/4"*35mm	

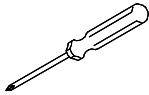




# ASSEMBLY INSTRUCTIONS

## STEP-2

1.Prepare for part D,insert wooden dowel #2 by hand.1.Connect the part G with part D. align the hole in the part F,insert the bolt #1 and wooden dowel #2 in part D into part G. insert cam bolt #3 into the corresponding hole of panel G,and tighten the nuts #3 with a screwdriver

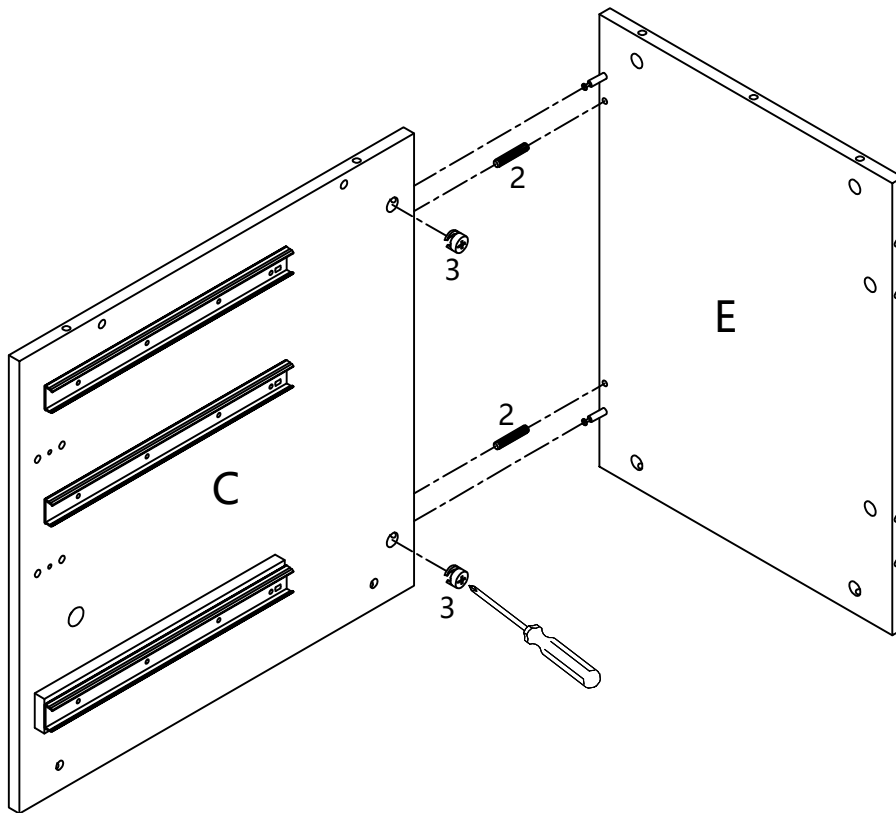


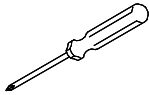


	#2	x4	#3	x2
				
	Ø8x30mm		Φ15*10mm	

# ASSEMBLY INSTRUCTIONS

## STEP-3

1.Prepare for part E,insert wooden dowel #2 by hand.Connect the part C with part E. align the hole in the part C,insert the bolt #1 and wooden dowel #2 in part E into part C. insert cam bolt #3 into the corresponding hole of panel C,and tighten the nuts #3 with a screwdriver

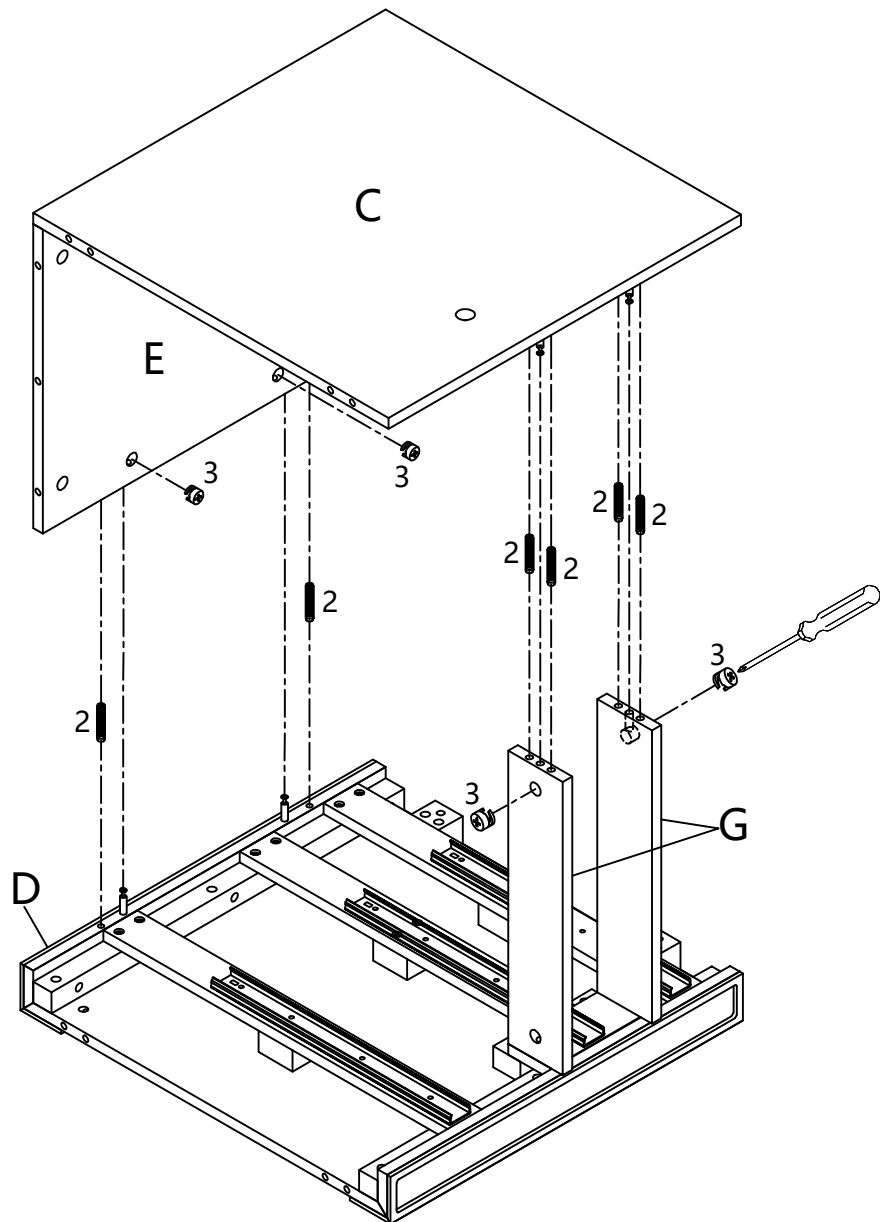


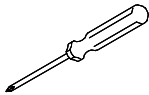


	#2	x2	#3	x2
				
	Ø8x30mm		Φ15*10mm	

# ASSEMBLY INSTRUCTIONS

## STEP-4

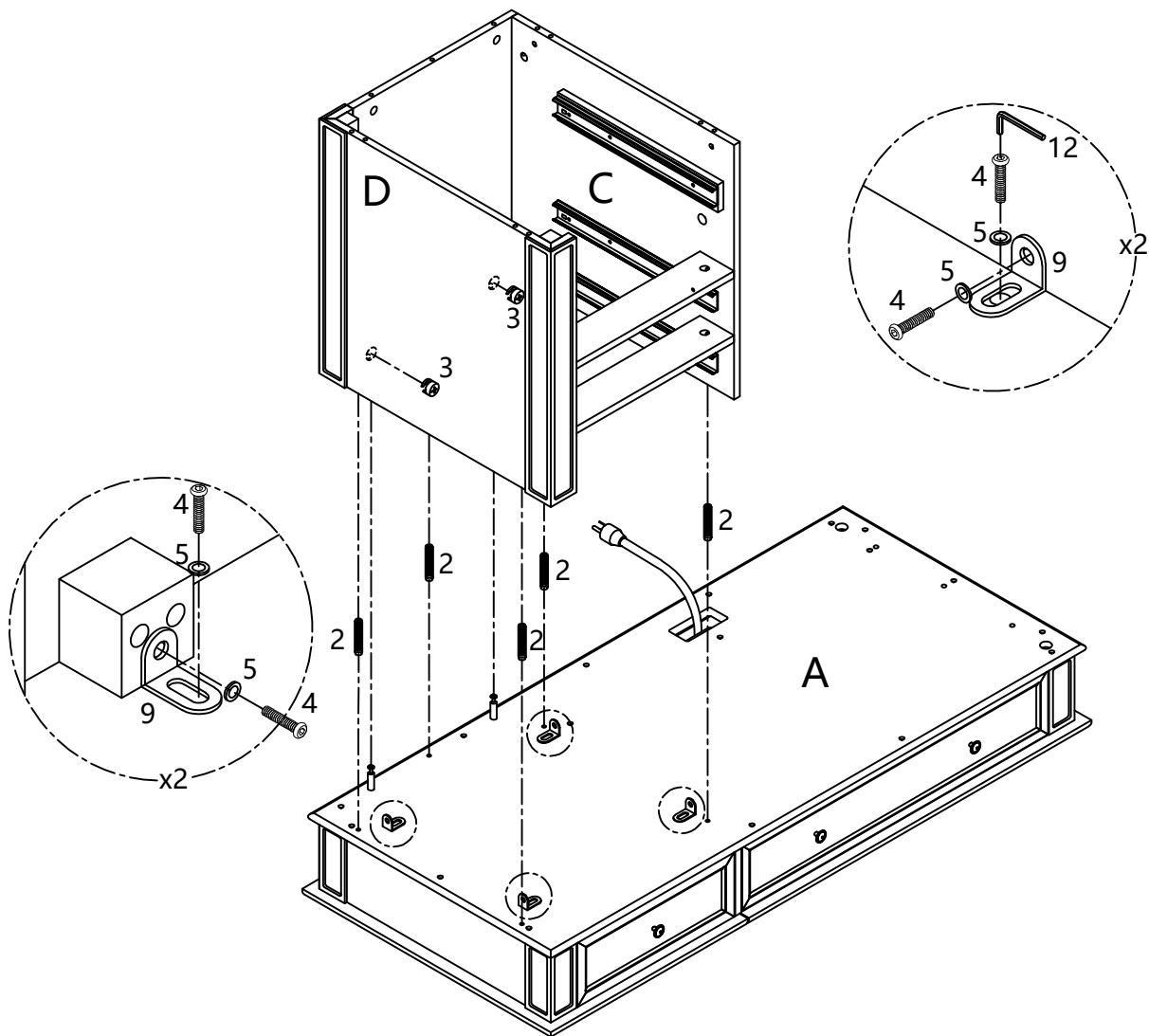
1.Prepare for part (G&D&C&E),insert wooden dowel #2 by hand.Connect the part (C&E) with part (D&G). align the hole in the part (C&E),insert the bolt #1 and wooden dowel #2 in part (D&G) into part(C&E). insert cam bolt #3 into the corresponding hole of panel (E&G),and tighten the nuts #3 with a screwdriver




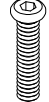

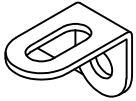


	#2	x6	#3	x4
				
	Ø8x30mm		Φ15*10mm	

# ASSEMBLY INSTRUCTIONS

1. Prepare for part (A), insert wooden dowel #2 by hand. Insert screw #4 into washer #5, install part #9 on panel A using screw #4 and washer #5. Connect the part (C&D&E) with part A. align the hole in the part (C&E&D), insert the bolt #1 and wooden dowel #2 in part A into part (C&E&D). insert cam bolt #3 into the corresponding hole of panel (E), and tighten the nuts #3 with a screwdriver #19. Finally, use the #4 screw and #5 washer to lock part #9 to the C&D plate and use Allen key #12 to tighten screw #4.

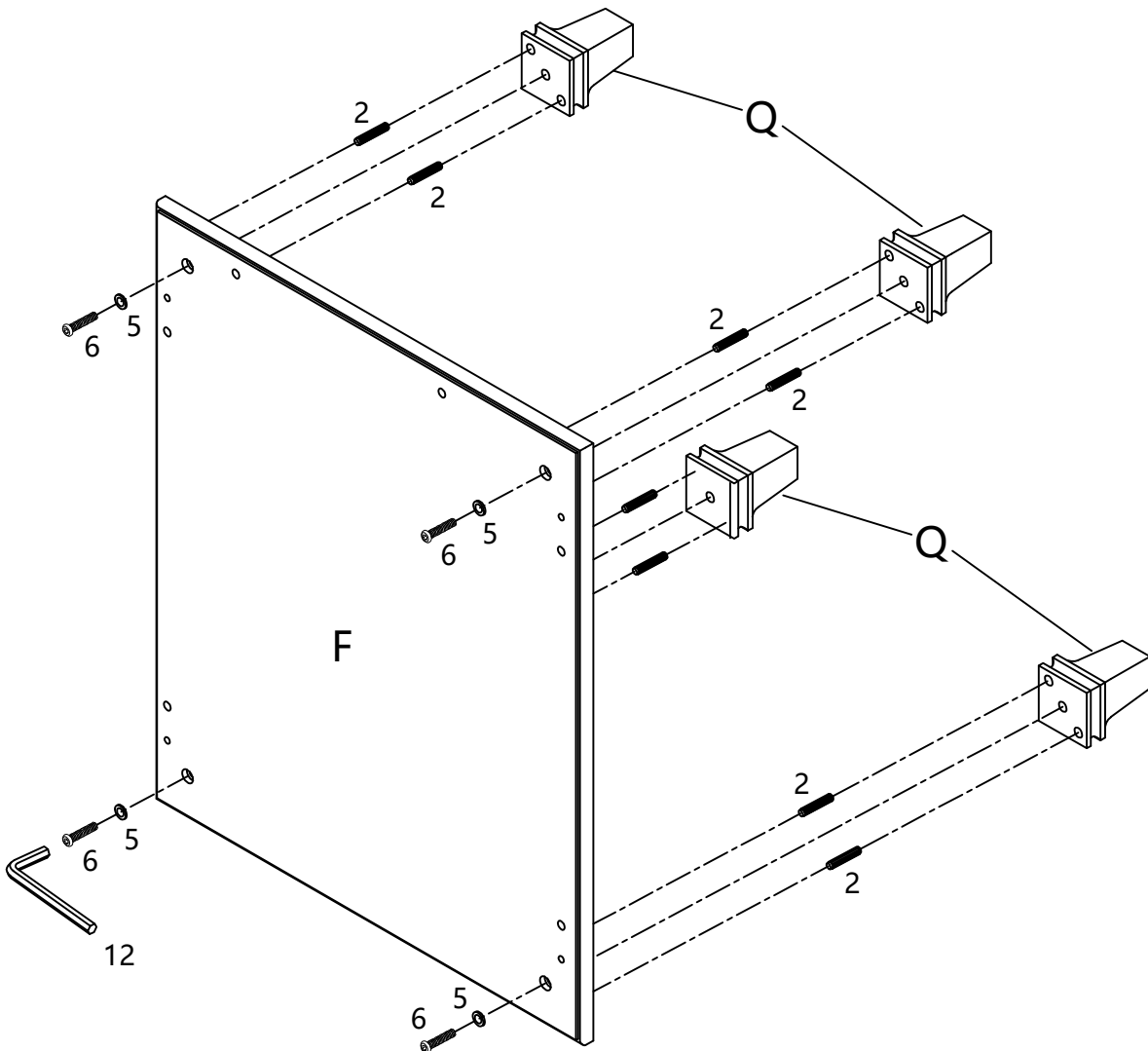





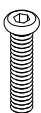
#12	x1	#2	x5	#3	x2	#4	x8	#5	x8	#9	x4
											
110*4mm		Ø8x30mm		Φ15*10mm		1/4"*12mm		1/4"*16mm		32*20*18*2mm	

# ASSEMBLY INSTRUCTIONS

## STEP-6

1.Prepare for part (Q),insert wooden dowel #2 by hand.  
Use screw #6 to connect bottom plate #F and leg #Q.And use  
wrench #12 to tighten screw #6.

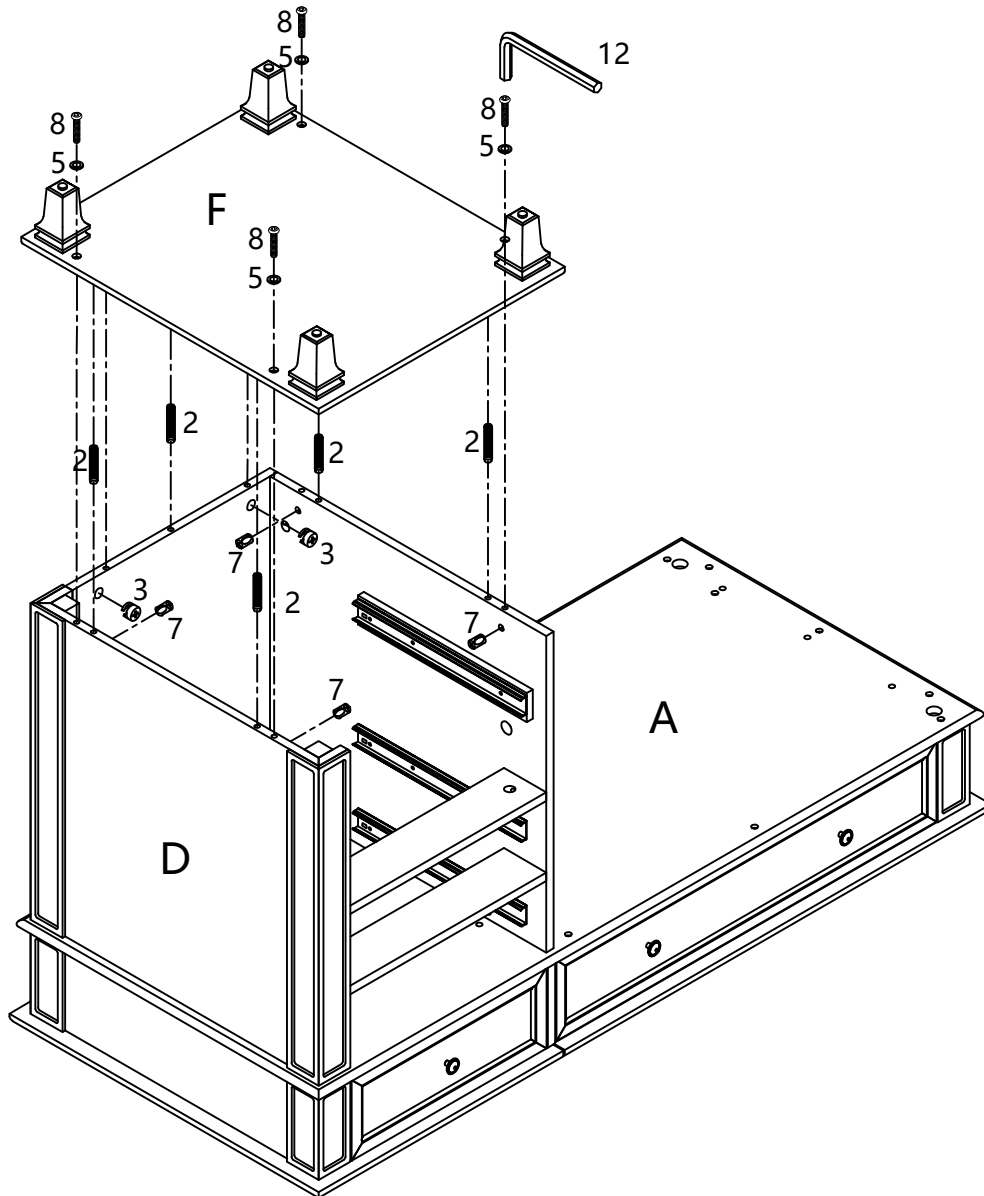







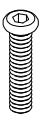
#12	x1	#2	x8	#5	x4	#6	x4
							
110*4mm		Ø8x30mm		1/4"*16mm		1/4"*32mm	

# ASSEMBLY INSTRUCTIONS

## STEP-7

Insert the wooden dowel #2 into the part C&D&E as the picture show. Connect the part F the pre-assembled unit in step 6. Place part #7 into the holes of C and D, Insert screw #8 into washer #5. Then align the holes in part B, Insert screw #8 and push it down so that it connects to parts C&D&E. next, and tighten the screw #8 with an Allen key #12.

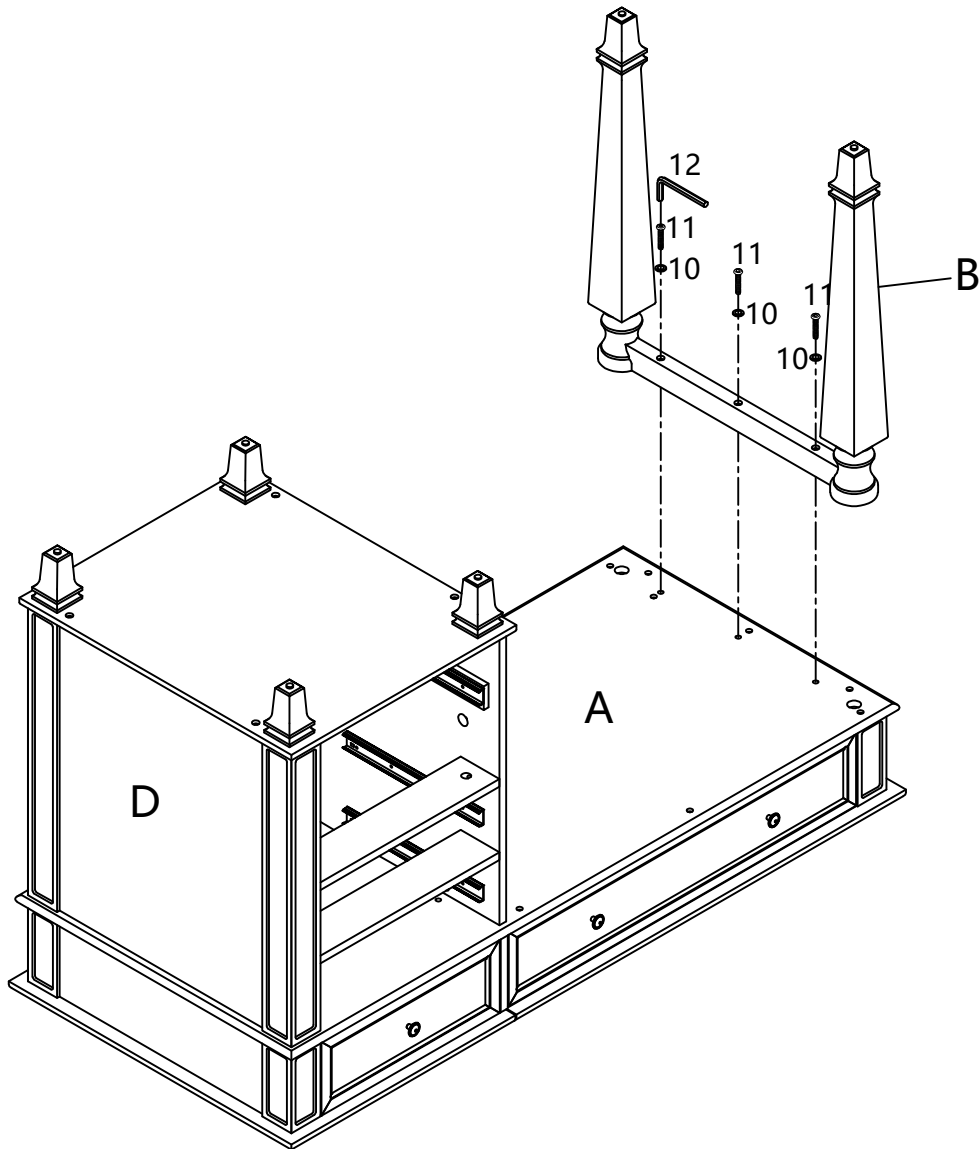





#12	x1	#2	x5	#3	x2	#5	x4	#7	x4	#8	x4
											
110*4mm		Ø8x30mm		Φ15*10mm		1/4"*16mm		1/4"*12mm		1/4"*50mm	

# ASSEMBLY INSTRUCTIONS

## STEP-8

Insert screw #11 into washer #10 and use screw 11 and washer #10 to attach the feet to part A. next, and tighten the screw #11 with an Allen key #12.

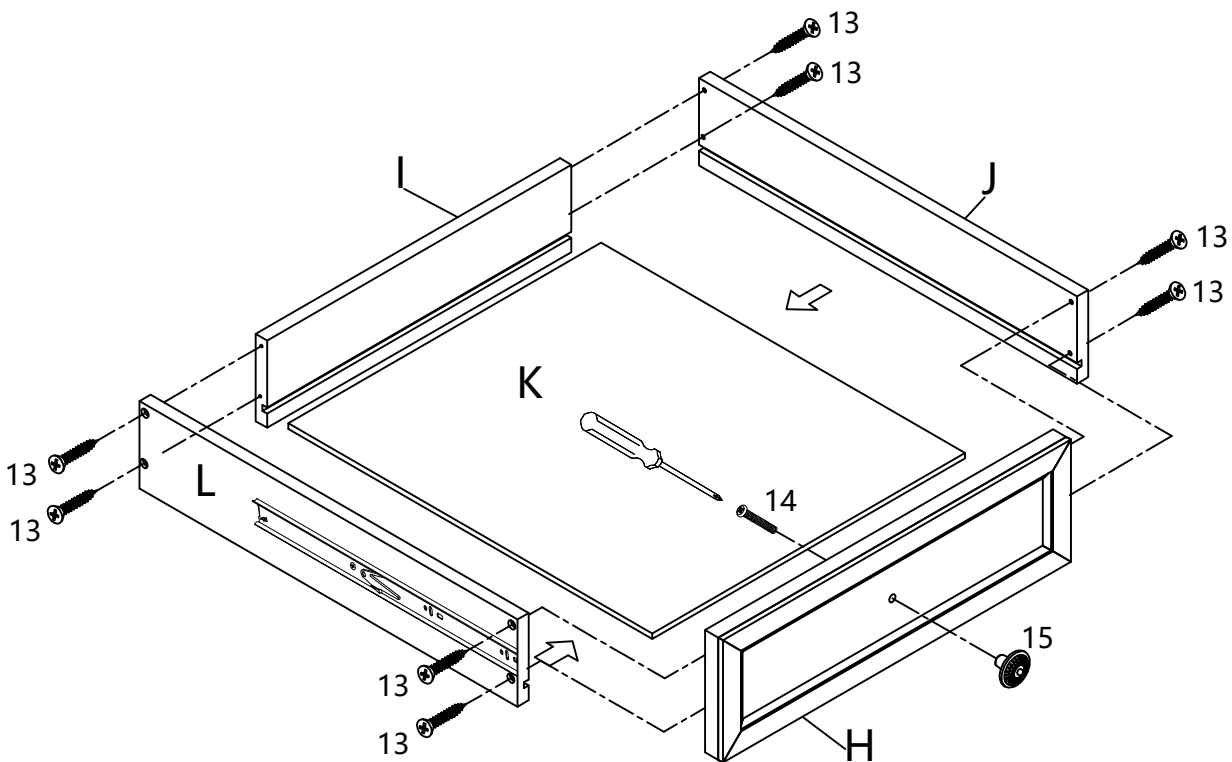


#10	x3	#11	x3	#12	x1
					
5/16"*19mm		5/16"*45mm		110*4mm	

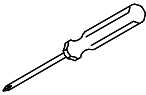

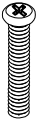

# ASSEMBLY INSTRUCTIONS

## STEP-9

1. Connect part (J&L) to part I using screw #13 and tighten it with screwdriver . Slide in the part (K) into the groove in part (J&L). make sure they are also in groove in part (I).
1. Connect part (P&N) to part H using screw #13 and tighten it with screwdriver .
2. Use screw# 14 to attach handle #15 to the corresponding hole of panel(H), tighten screw with screwdriver .



x2

	#13	x16	#14	x2	#15	x2
						
	3.5*32mm		5/32"*1¼"mm			

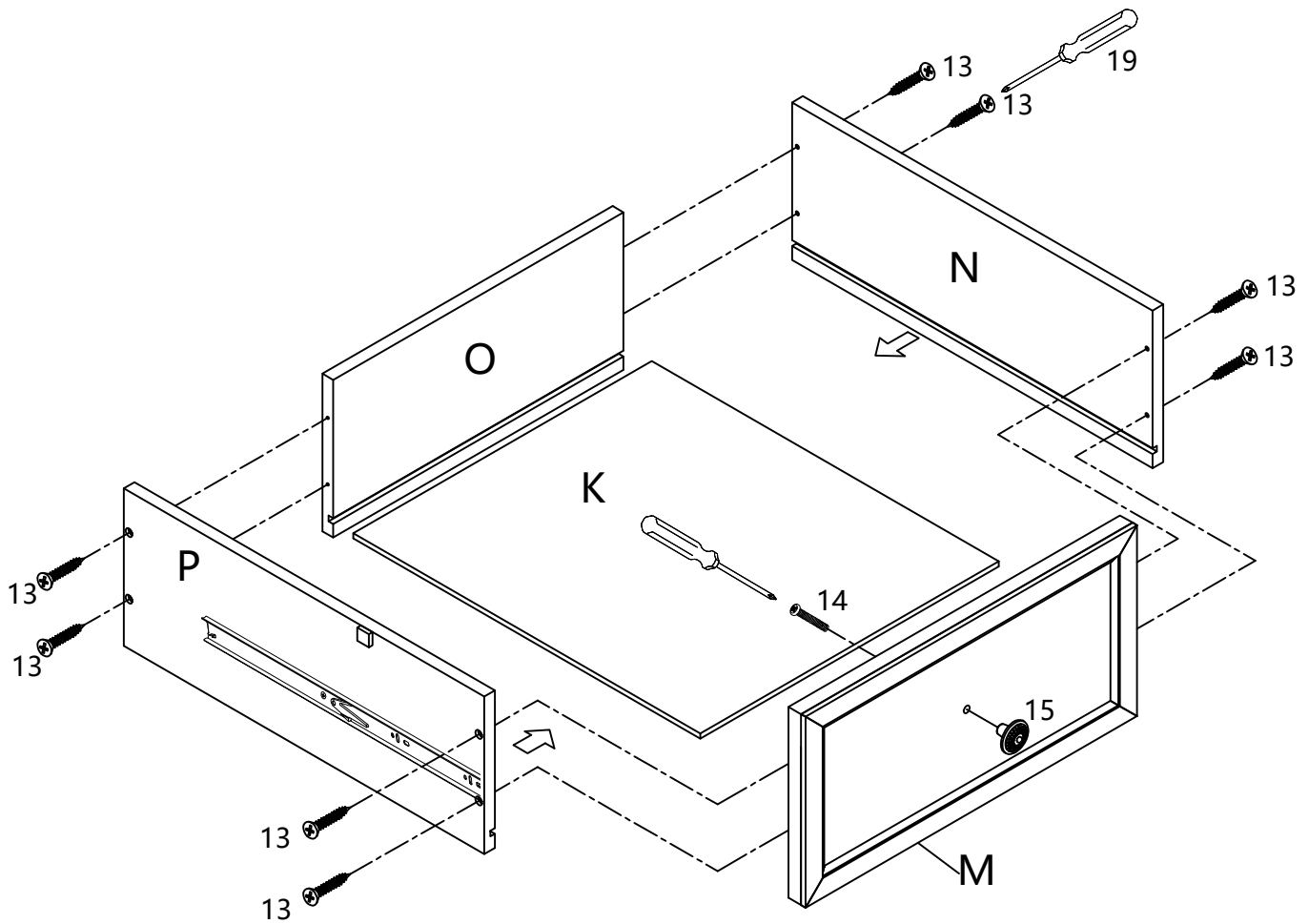


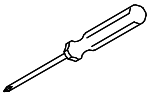



# ASSEMBLY INSTRUCTIONS

## STEP-10

1. Connect part (P&N) to part O using screw #13 and tighten it with screwdriver.  
.Slide in the part (K) into the groove in part (N&P). make sure they are also in groove in part (O).

1. Connect part (P&N) to part M using screw #13 and tighten it with screwdriver.  
2. Use screw# 14 to attach handle #15 to the corresponding hole of panel(M), tighten screw with screwdriver.

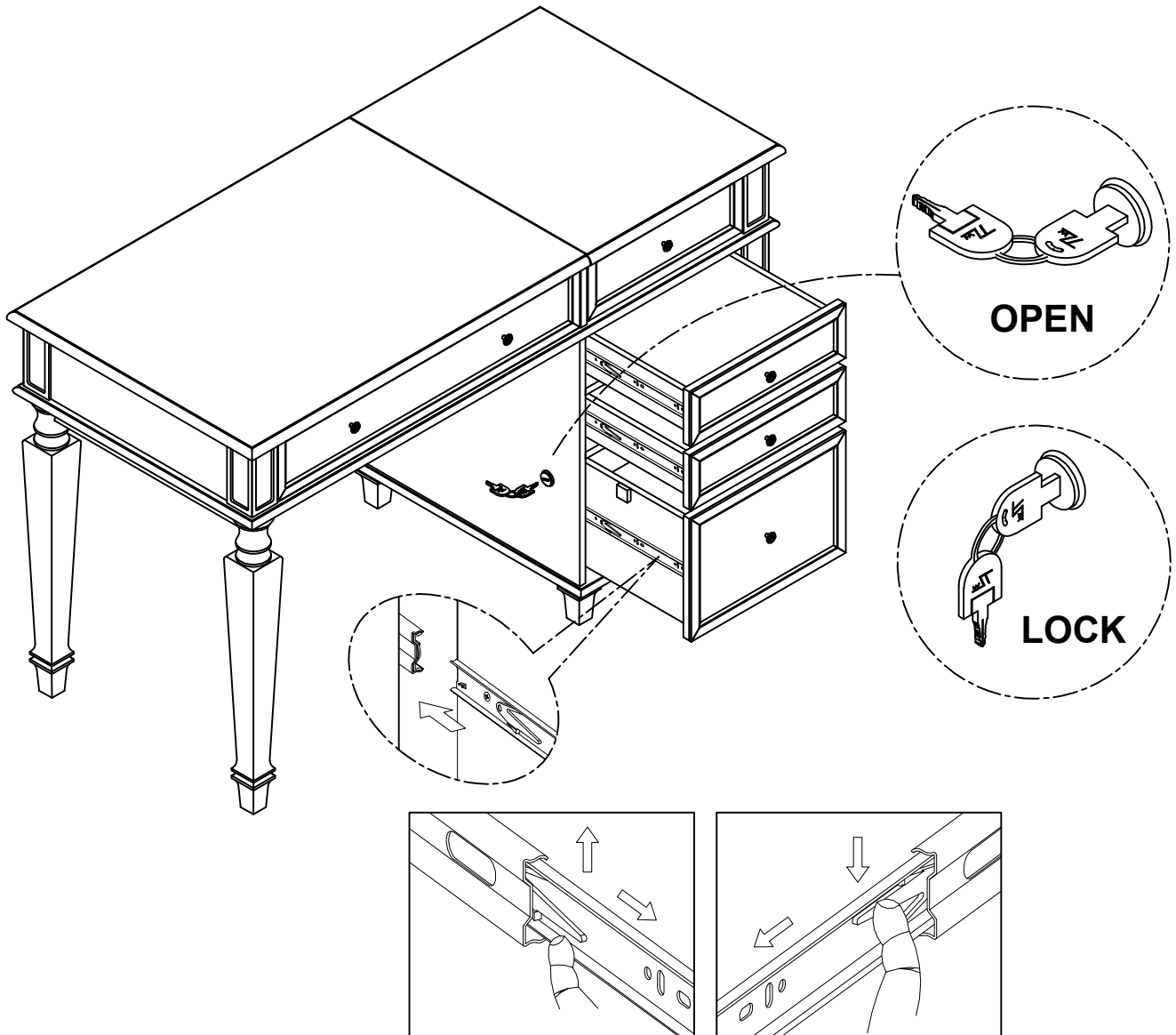


#19	x1	#13	x8	#14	x1	#15	x1
							
		3.5*32mm		5/32"*1¼"mm			

# ASSEMBLY INSTRUCTIONS

## STEP-11

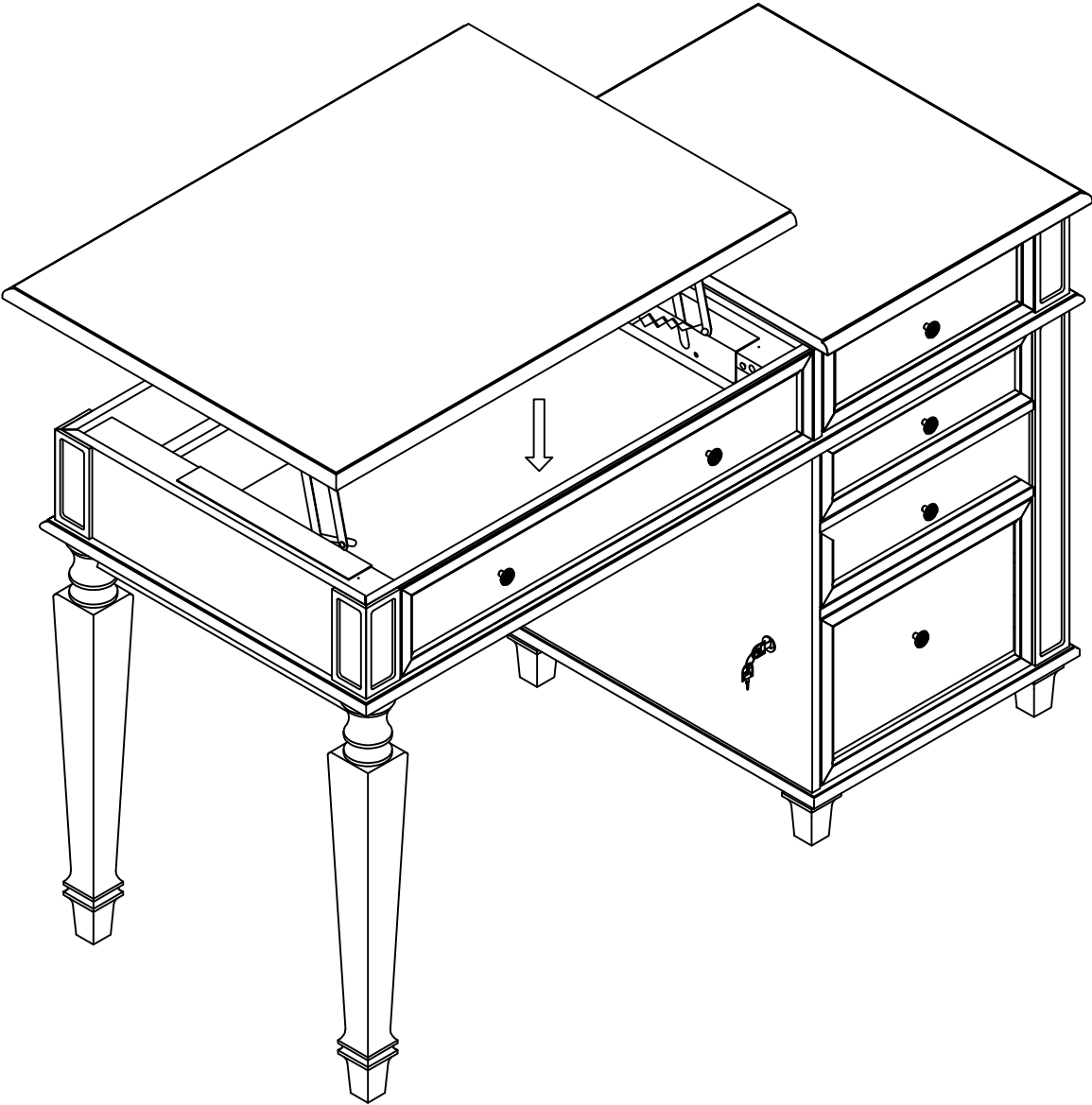
Place the drawer into the cabinet.



# ASSEMBLY INSTRUCTIONS


## STEP-12

The cabinet panel can be lifted up and down.



# ASSEMBLY INSTRUCTIONS

## STEP-13

  
Attention:  
Before the next step,  
adjust the feet of the  
locker to keep it level.

