


ITEM: LOVESEAT

ASSEMBLY INSTRUCTION

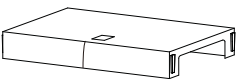
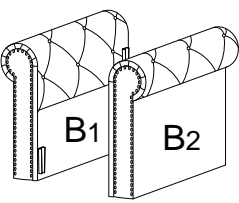
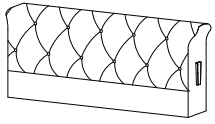
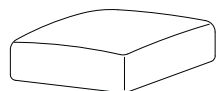

ASSEMBLY TIPS:

- 1.Remove hardware from box and sort by size.
- 2.Please check to see that all hardware and parts are present prior to start of assembly.
- 3.Please follow attached instruction in the same sequence as numbered to assure fast & easy assembly.

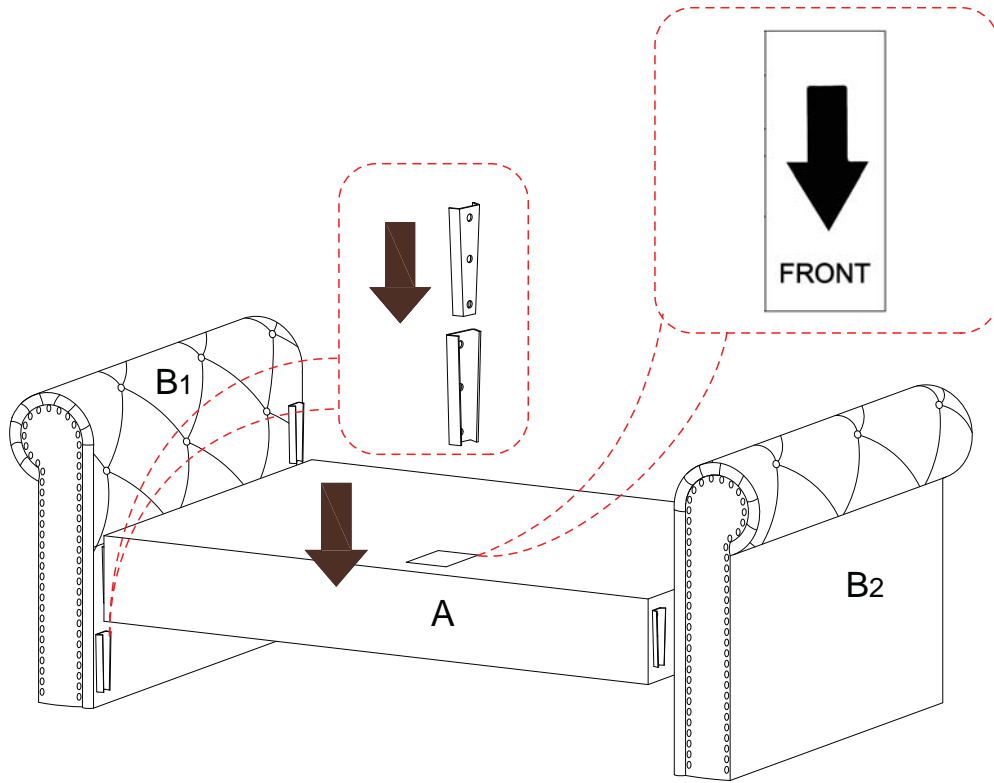
 warning!

- 1.Don't attempt to repair or modify parts that are broken or defective. Please contact the store immediately.
- 2.This product is for home use only and not intended for commercial establishment.

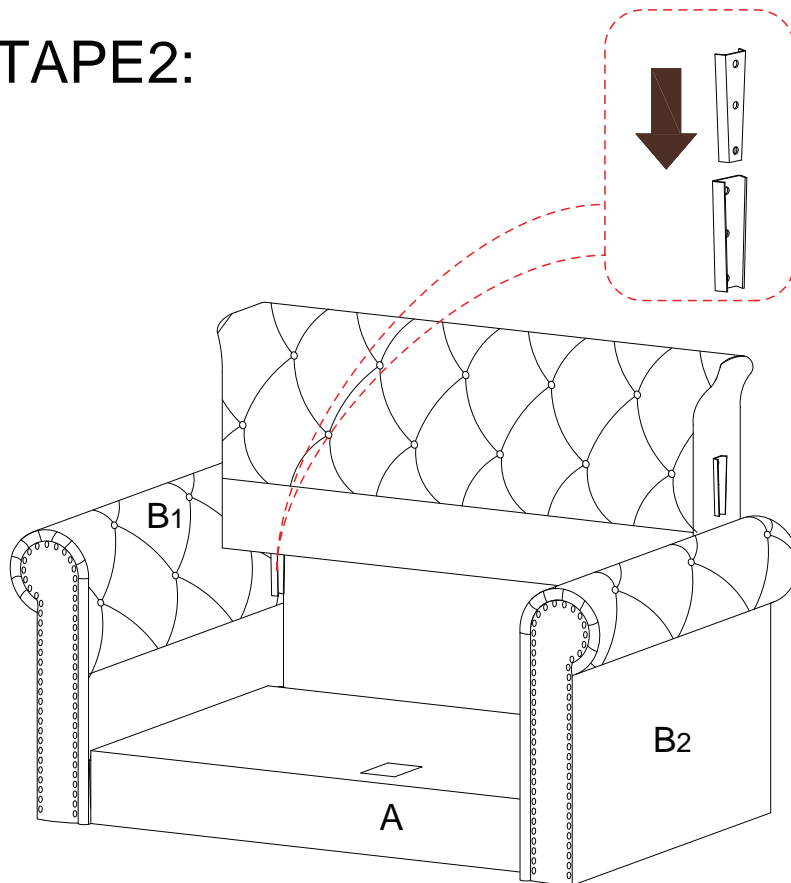
PARTS IDENTIFICATION

A	 SEAT FRAME	1pc	B	 ARM	2pcs
C	 BACKREST	1pc	D	 SEAT CUSHION	2pcs
E	 LEG	4pcs			

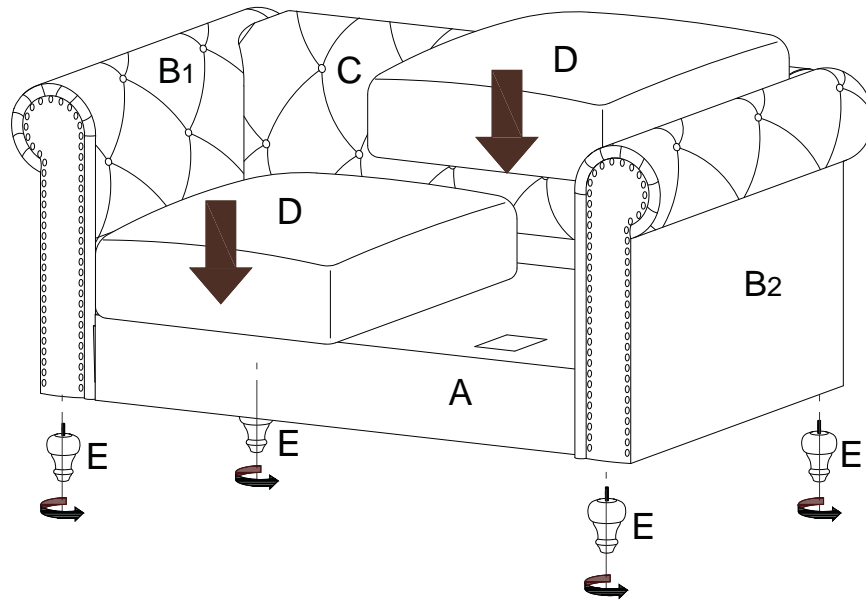
STEP1/ETAPE1:



STEP2/ETAPE2:



STEP3/ETAPE3:



STEP4/ETAPE4:

