

WARRANTY

We strive to offer high-quality products, and we also try our best to satisfy each and every customer that orders from us with product or service as needed. We provide 30 days warranty starting from the time you receive the item. Each customer must provide a record of their order such as the order number, or item receipt for any items that are out of the warranty period you may also still receive replacement parts by purchasing them with our company if they are available.

Are you having difficulty

with assembly? Missing parts?

Please send email with your order No

customerservice@hulalahome.com

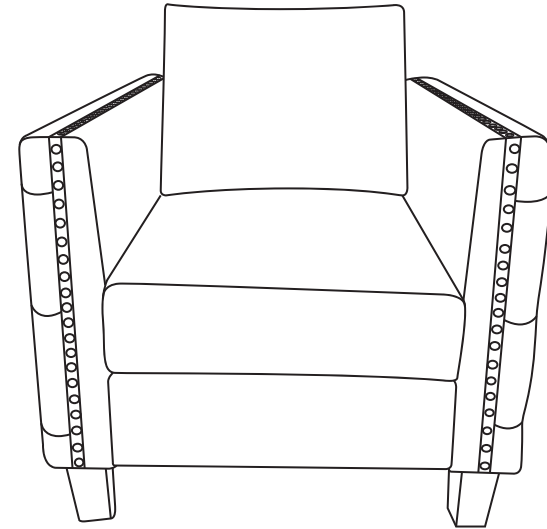
**For return, Please check the return policy with
the retailer or MarketPlace you bought from.**

Appreciated your purchasing from us.

Pop up your life by our furniture piece!

HULALA

H O M E



ITEM NO. CHXR0291

NOTE:

This brochure contains IMPORTANT safty info. Please read and keep for future reference.

MAINTENANCE AND WARNING

- Keep furniture away from heat.
- Do not clean furniture with harsh cleansers or polish. Do not use detergents, Solvents, abrasives, spray packs or leather cleaner. Use non-color mild soap with warm water clean spills(Mix 1:10 soap to water)
- Do not place furniture under direct sunlight, material will possibly fade over time.
- Do not use on site dry Cleaning machine.
- Children should not climb or jump on the furniture.
- Do not write on furniture without a padded barrier to protect the surface.
- Not for commercial use, For residential use only.

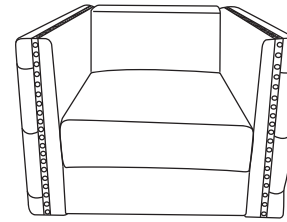


Weight Limitation

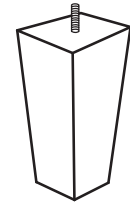
250LBS

PARTS LIST

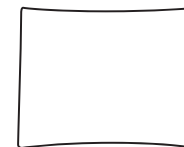
Ax1
Seat



Bx4
legs



Cx1
Back Cushion



HARDWARE LIST

Dx4



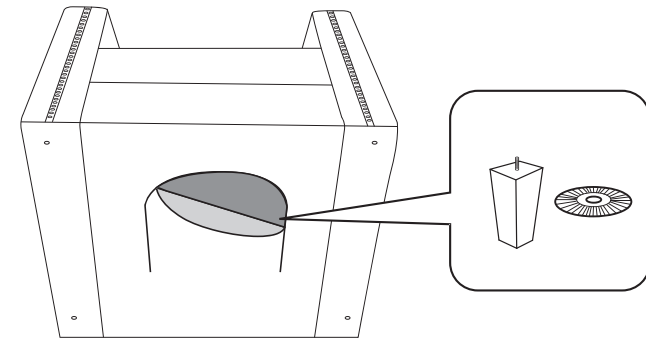
SPARE

Dx1

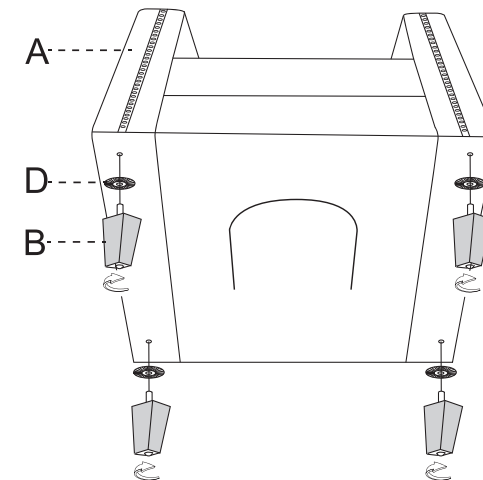


Be sure to check all packing material carefully for small parts, which may have come loose inside the carton during shipment.

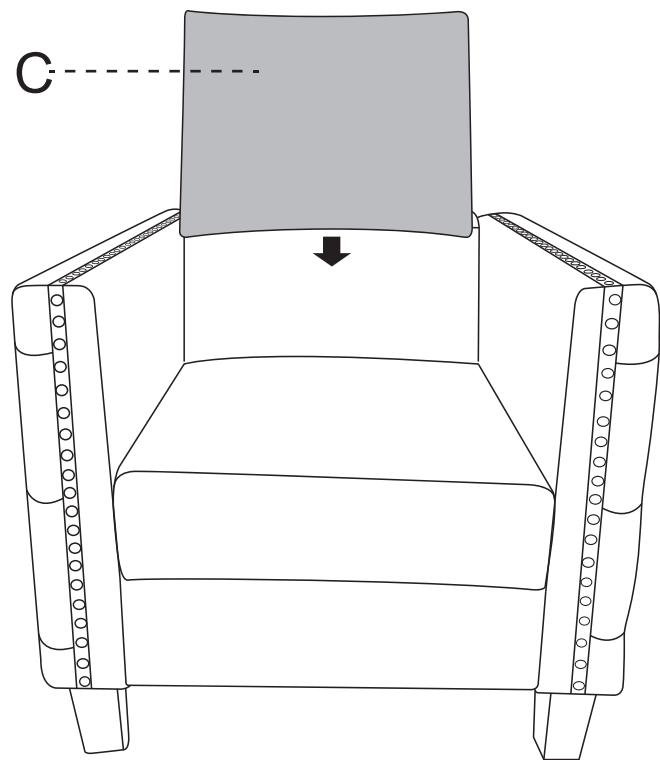
ASSEMBLY INSTRUCTIONS



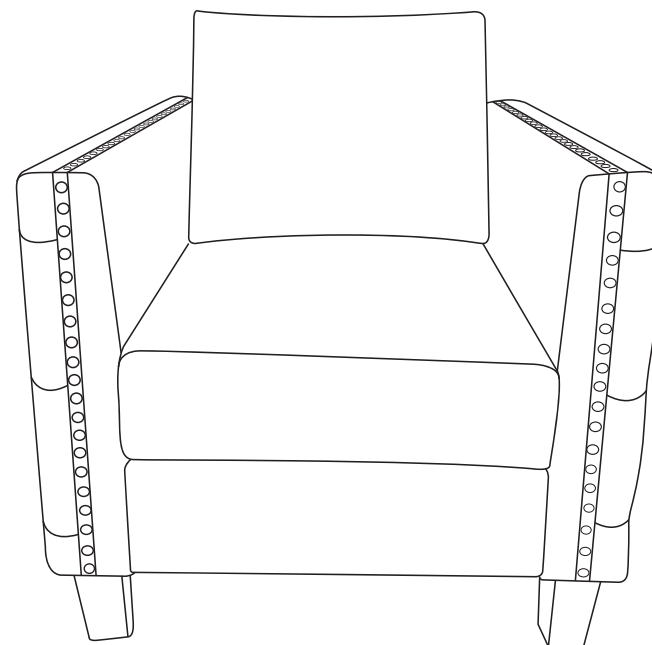
STEP 1 :Take the parts out from zipper pocket under the seat.



STEP 2 :Attach feet B, rubber washer D to bottom of the base A. Fasten to secure each feet. If any foot doesn't sit parallel with edge of the base please turn harder to make adjustment of the position.



STEP 3 :Place back pillow C to the chair base assembly.



STEP 4 :Assembly completed