

MAINTAINANCE AND WARNING

- Keep furniture away from heat.
- Do not clean furniture with harsh cleansers or polish. Do not use detergents, Solvents, abrasives, spray packs or leather cleaner. Use non-color mild soap with warm water clean spills(Mix 1:10 soap to water)
- Do not place furniture under direct sunlight, material will possibly fade over time.
- Do not use on site dry Cleaning machine.
- Children should not climb or jump on the furniture.
- Do not write on furniture without a padded barrier to protect the surface.
- Not for commercial use, For residential use only.

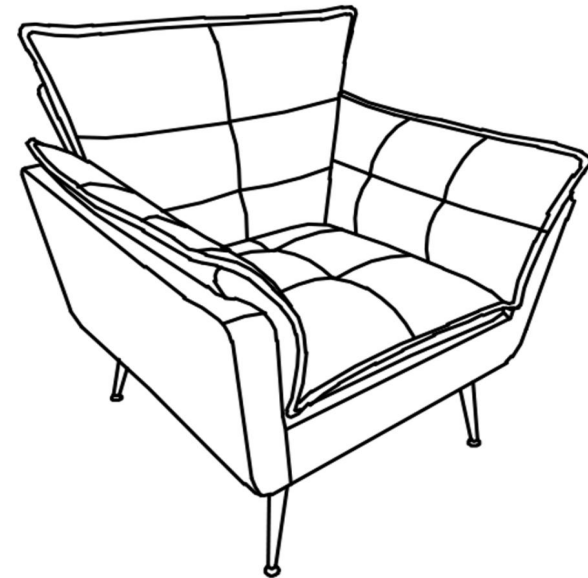


Weight Limitation

250LBS

12

HULALA
H O M E



ITEM NO.CHWH0284

NOTE:

This brochure contains IMPORTANT safty info. Please read and keep for future reference.

1

**Are you having difficulty
with assembly? Missing parts?
Please send email with your order No
customerservice@hulalahome.com
For return, Please check the return policy with
the retailer or MarketPlace you bought from.**

**Appreciated your purchasing from us.
Pop up your life by our furniture piece!**

WARRANTY

We strive to offer high-quality products, and we also try our best to satisfy each and every customer that orders from us with product or service as needed. We provide 30 days warranty starting from the time you receive the item. Each customer must provide a record of their order such as the order number, or item receipt for any items that are out of the warranty period; you may also still receive replacement parts by purchasing them with our company if they are available.

HARDWARE LIST

① * 12



② * 1



SPARE

① * 1



Be sure to check all packing material carefully for small parts, which may have come loose inside the carton during shipment.

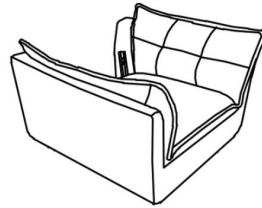
PARTS LIST

A*1



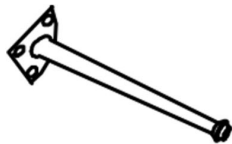
Backrest

B*1



Seat Cushion

C*4

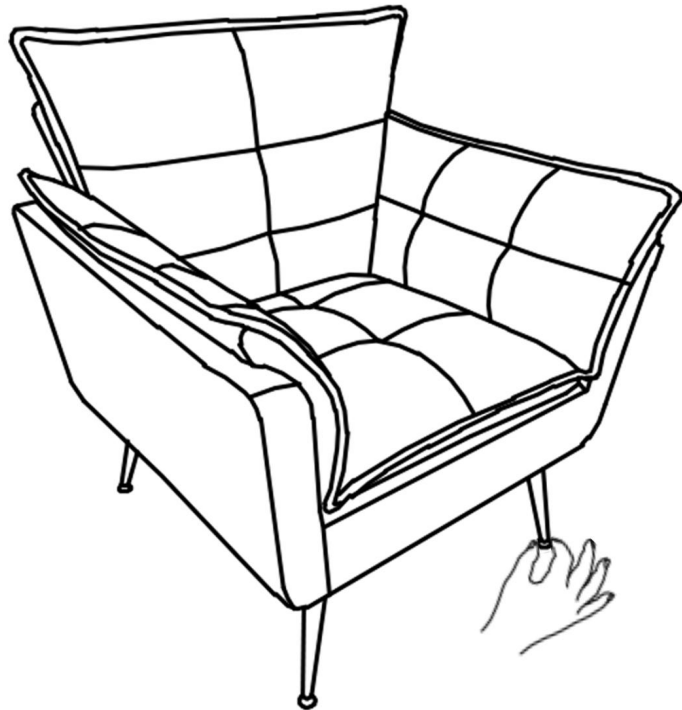



Leg

- Read instructions, cover to cover.
- Have 2 adults on hand for assembly.
- Do not assemble on flooring or carpet.
- Assemble on a clean non-marring surface (packing foam).
- Save all packaging until finished.

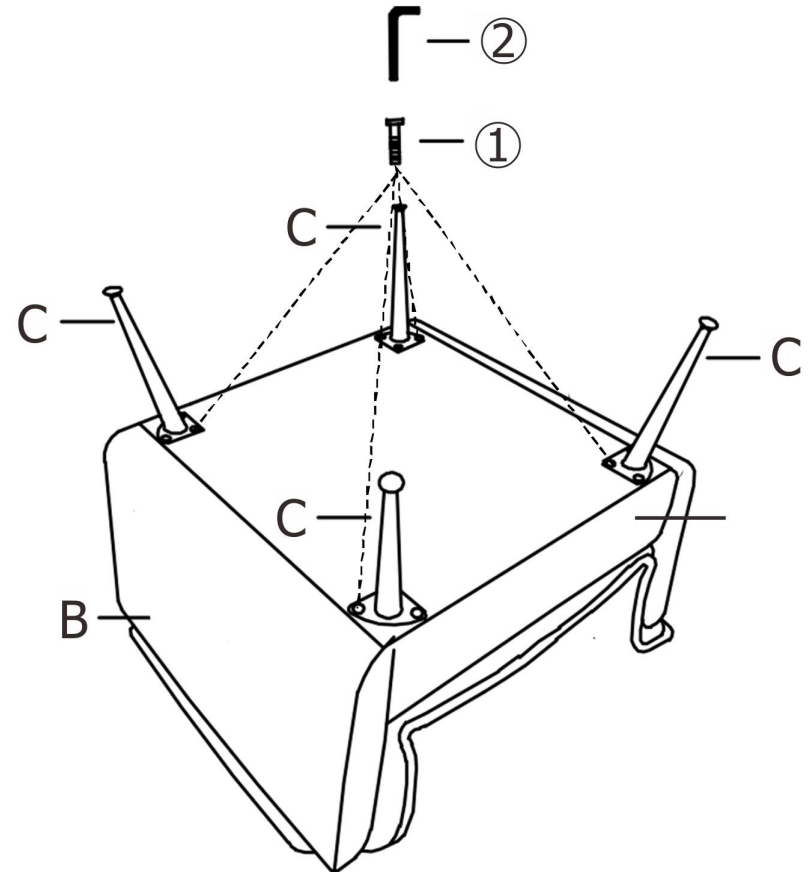
Care & Maintenance

- Furniture may scratch floors. We recommend using furniture pads to protect your floors.
 - Do not put hot items directly on furniture surface.
 - Do not clean furniture with harsh cleansers or polish.
 - Do not place furniture under direct sunlight.
 - Do not place furniture near heating or cooling vents.
 - Do not write on furniture without a padded barrier to protect the surface.
 - Do not place furniture outside . For indoor use only.
 - Not for commercial use. For residential use only.
 - Stains may be removed with mild soap solution and damp cloth.
 - Children should not climb or jump on the furniture.
 - Dust and pick-up spills using a clean, non-colored, lint-free cloth.
 - According to your own usage, check the condition of the screws regularly, and lock them in time if they are found to be loose.
 - If any parts are missing, broken, damaged or worn, stop using this product immediately until repairs are made using factory.
- Failure to follow these warnings could result in serious injury.

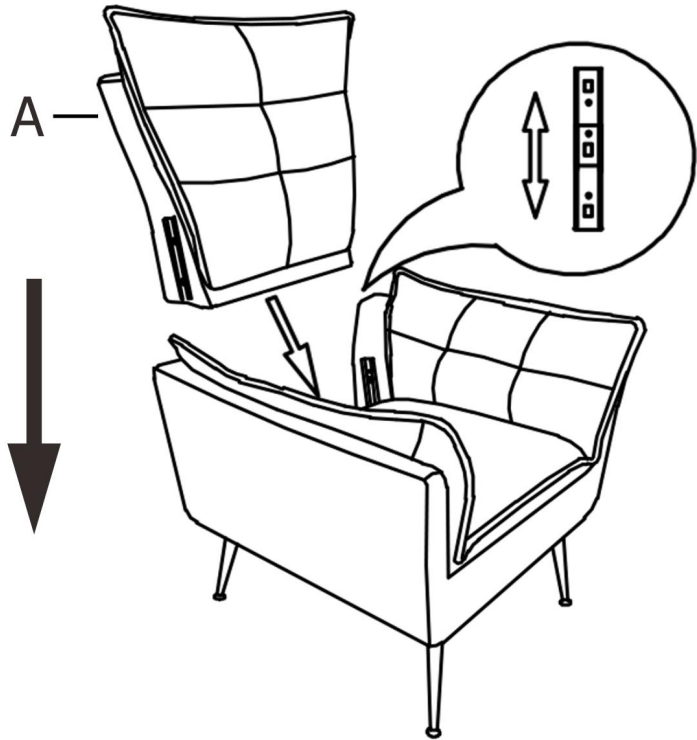



Attention:
After installation, adjust the
adjustable leveler to keep
the chair balanced.

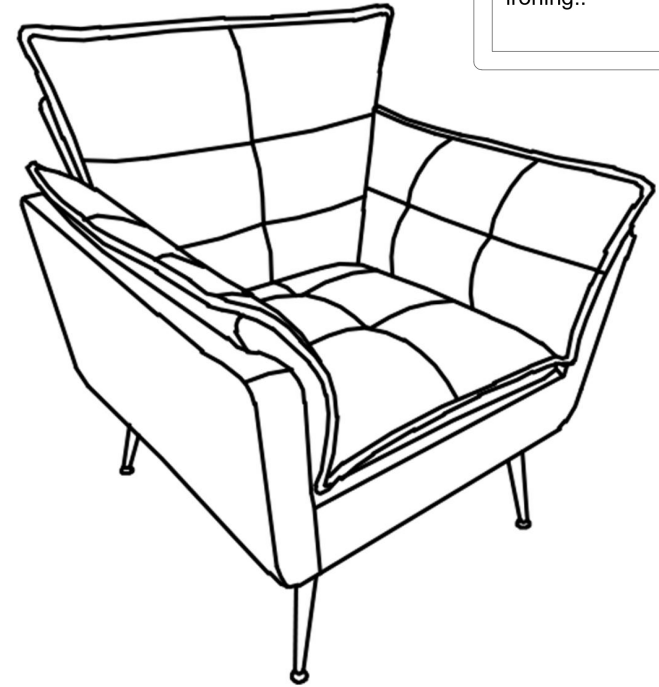
ASSEMBLY INSTRUCTIONS



STEP 1 : Use bolt ①, allen key ② to attach legs B
to bottom of the seat, make sure all
holes align then fasten all bolts to secure.



STEP 2: Carefully align male and female metal bracket then push all the way down to secure.



STEP 3: Assembly completed

For velvet: With help of adult partner, iron the fabric cover to stretch the wrinkles and dent mark with steam iron while necessary. please separate with a towel before ironing..