

WARRANTY

We strive to offer high-quality products, and we also try our best to satisfy each and every customer that orders from us with product or service as needed. We provide 30 days warranty starting from the time you receive the item. Each customer must provide a record of their order such as the order number, or item receipt for any items that are out of the warranty period you may also still receive replacement parts by purchasing them with our company if they are available.

Are you having difficulty with assembly? Missing parts?

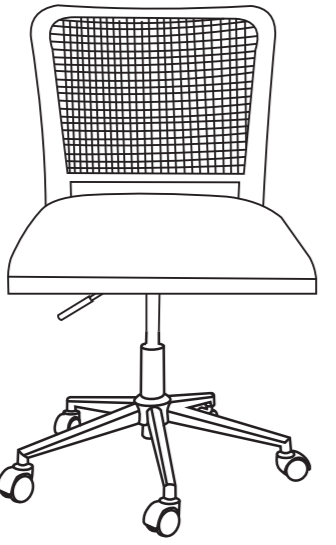
Please send email with your order No
customerservice@hulalahome.com

For return, Please check the return policy with the retailer or MarketPlace you bought from.

Appreciated your purchasing from us.
Pop up your life by our furniture piece!

HULALA

H O M E



ITEM NO.CHS0085

NOTE:

This brochure contains IMPORTANT safty info. Please read and keep for future reference.

MAINTAINANCE AND WARNING

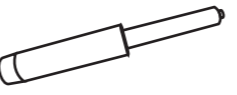
- Keep furniture away from heat.
- Do not clean furniture with harsh cleansers or polish. Do not use detergents, Solvents, abrasives, spray packs or leather cleaner. Use non-color mild soap with warm water clean spills(Mix 1:10 soap to water)
- Do not place furniture under direct sunlight, material will possibly fade overtime.
- Do not use on site dry Cleaningmachine.
- Children should not climb or jump on the furniture.
- Do not write on furniture without a padded barrier to protect the surface
- Not for commercial use, For residential use only.



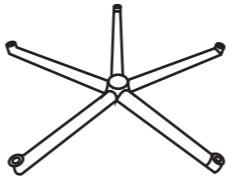
Weight Limitation
250LBS

PARTS LIST

A*1



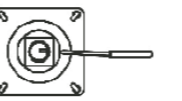
B*1



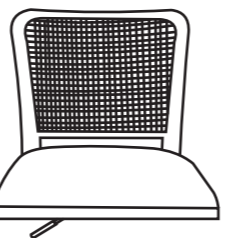
C*5



D*1



E*1



HARDWARE LIST

F * 4
M6*20mm



G * 1

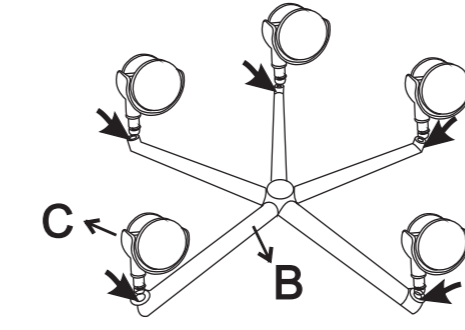


SPARE

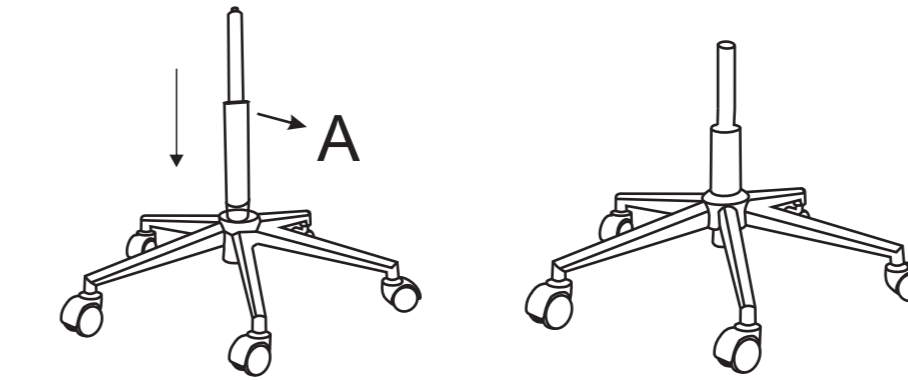
F * 1
M6*20mm



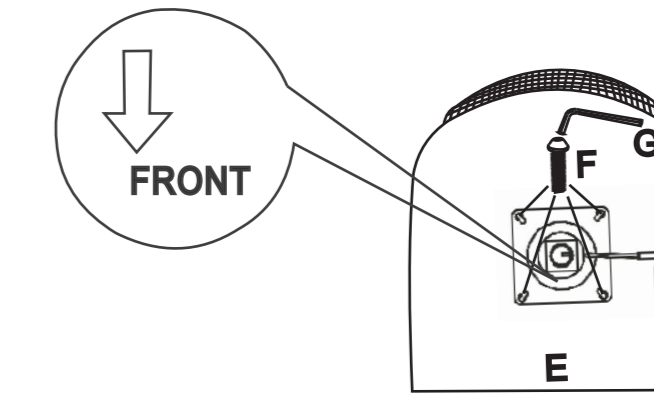
ASSEMBLY INSTRUCTIONS



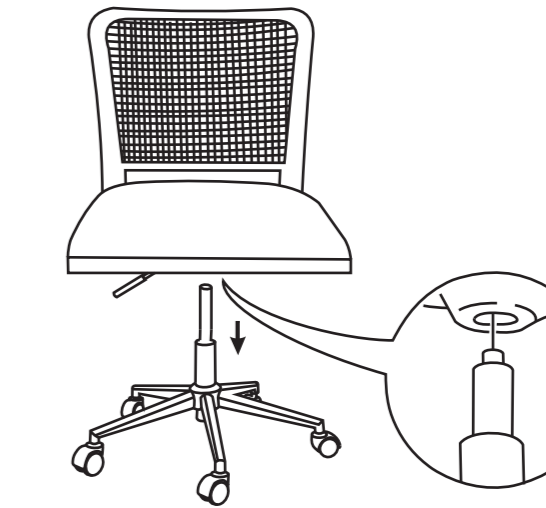
STEP 1:



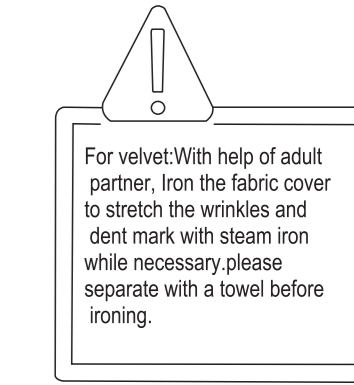
STEP 2:



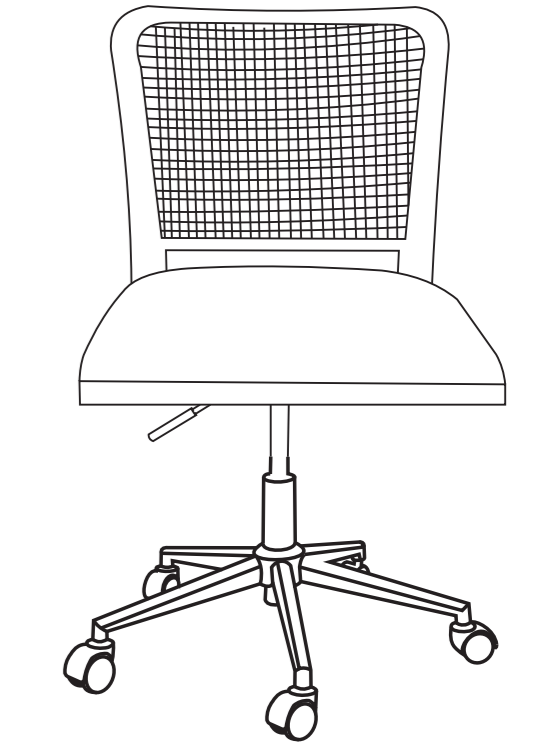
STEP 4:



STEP 5:



For velvet:With help of adult partner, Iron the fabric cover to stretch the wrinkles and dent mark with steam iron while necessary,please separate with a towel before ironing.



STEP 6: Assembly completed

8

1

2

3

4

5

6

7