

WARRANTY

We strive to offer high-quality products, and we also try our best to satisfy each and every customer that orders from us with product or service as needed. We provide 30 days warranty starting from the time you receive the item. Each customer must provide a record of their order such as the order number, or item receipt for any items that are out of the warranty period you may also still receive replacement parts by purchasing them with our company if they are available.

**Are you having difficulty
with assembly? Missing parts?**

**PLEASE DON' T RETURN THE ITEM TO
RETAILER**

For help call or email with your order No.

Customer service:

888-214-6610

Open Monday through Friday

9:00AM-5:00PM CST

Email:

customerservice@hulalahome.com

24h



ITEM NO. CHM6154A

NOTE:

This brochure contains IMPORTANT safety info. Please read and keep for future reference.

MAINTAINANCE AND WARNING

- Keep furniture away from heat.
- Do not clean furniture with harsh cleansers or polish. Do not use detergents, Solvents, abrasives, spray packs or leather cleaner. Use non-color mild soap with warm water clean spills(Mix 1:10 soap to water)
- Do not place furniture under direct sunlight, material will possibly fade over time.
- Do not use on site dry Cleaning machine.
- Children should not climb or jump on the furniture.
- Do not write on furniture without a padded barrier to protect the surface.
- To obtain the longest lifespan of your outdoor products, avoid exposure to rain or snow, and direct sunshine for long time. Whenever possible cover the product and/or place under patio or awnings.
- Not for commercial use, For residential use only.

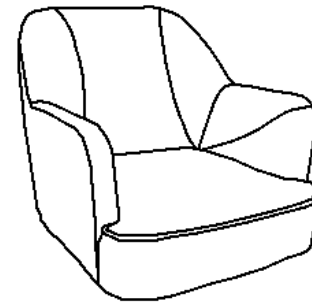


Weight Limitation

250LBS

PARTS LIST

A*1(Seat)



B*1(Left legs)



C*1(Right legs)

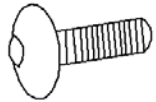


Estimated Duration Of Assembly

5-10 MINUTES

HARDWARE LIST

D*6(Screw)
M6*20mm

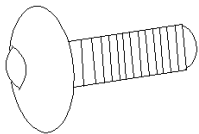


E*1(Spanner)
M5



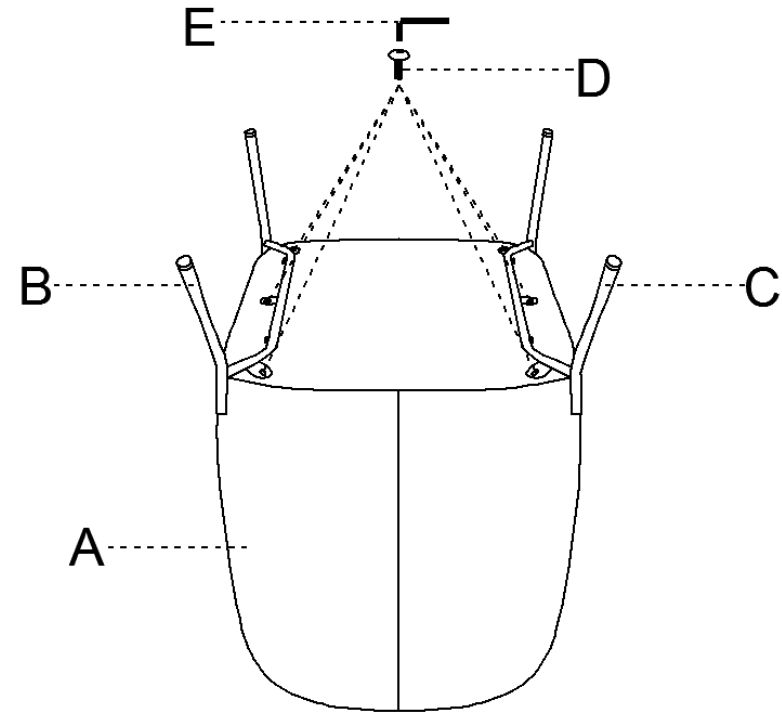
SPARE

F*1
M6*20mm

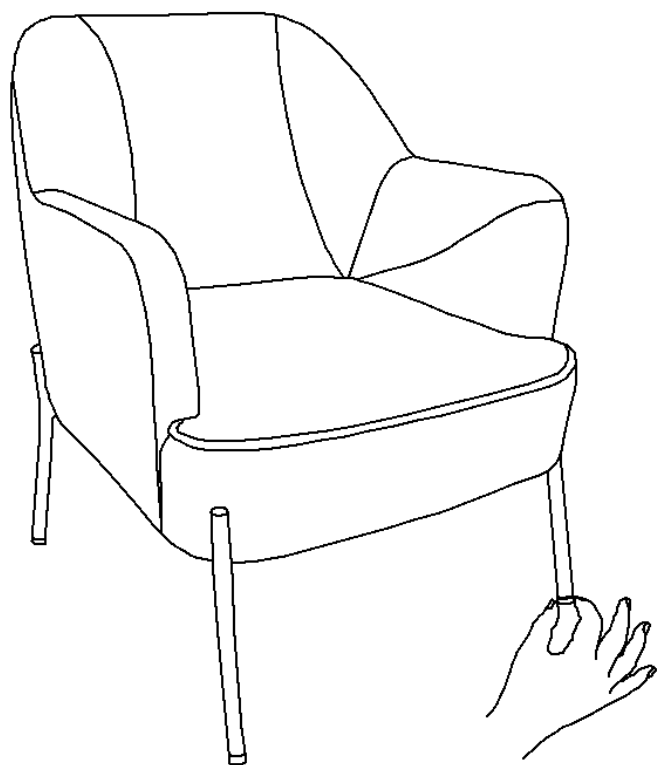


Be sure to check all packing material carefully for small parts, which may have come loose inside the carton during shipment.

ASSEMBLY INSTRUCTIONS



STEP 1: Place the Chair Back A on a clean padded surface. Use bolt D, allen key E to connect the metal base to bottom of the seat cushion A, fasten all bolts to secure.



Attention:

**After installation,adjust the two foot nails
infront of the chair to keep the chair
balanced !**

**Be sure to check all packing material carefully for
small parts, which may have come loose inside the
carton during shipment.**

STEP 2:Assembly completed