

WARRANTY

We strive to offer high-quality products, and we also try our best to satisfy each and every customer that orders from us with product or service as needed. We provide 30 days warranty starting from the time you receive the item. Each customer must provide a record of their order such as the order number, or item receipt for any items that are out of the warranty period you may also still receive replacement parts by purchasing them with our company if they are available.

Are you having difficulty

with assembly? Missing parts?

Please send email with your order No

customerservice@hulalahome.com

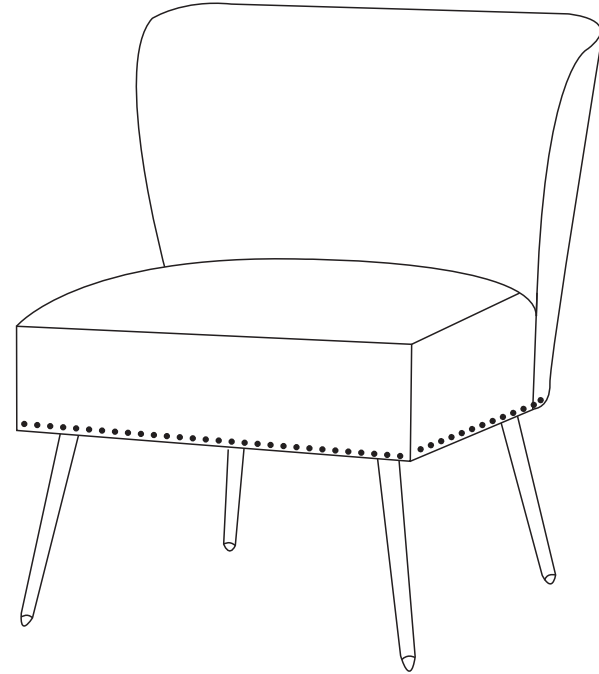
**For return, Please check the return policy with
the retailer or MarketPlace you bought from.**

Appreciated your purchasing from us.

Pop up your life by our furniture piece!

HULALA

H O M E



ITEM NO.CHM0434

NOTE:

This brochure contains IMPORTANT safty info. Please read and keep for future reference.

MAINTAINANCE AND WARNING

- Keep furniture away from heat.
- Do not clean furniture with harsh cleansers or polish. Do not use detergents, Solvents, abrasives, spray packs or leather cleaner. Use non-color mild soap with warm water clean spills(Mix 1:10 soap to water)
- Do not place furniture under direct sunlight, material will possibly fade over time.
- Do not use on site dry Cleaning machine.
- Children should not climb or jump on the furniture.
- Do not write on furniture without a padded barrier to protect the surface.
- Not for commercial use, For residential use only.



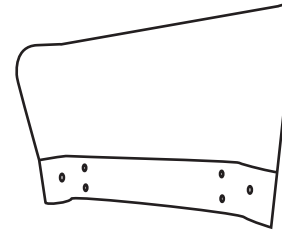
Weight Limitation

250LBS

PARTS LIST

Ax1

Backrest



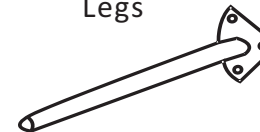
Bx1

Seat



Cx4

Legs



HARDWARE LIST

Dx6
M8x55mm
Screw

Ex12
M6x20mm
Screw

Fx6
Gaskets

Gx6
Gasket clasp

Hx1
M8
Allen Key

Ix1
M6
Allen Key

SPARE

Dx1
M8x55mm
Screw

Ex1
M6x20mm
Screw

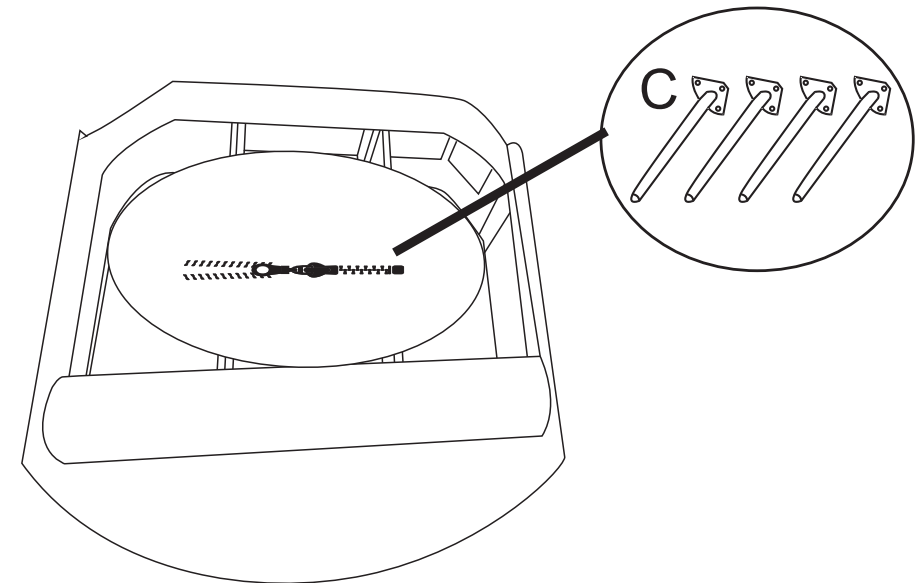
Fx1
Gaskets

Gx1
Gasket clasp

Jx1
Adjustable leveler

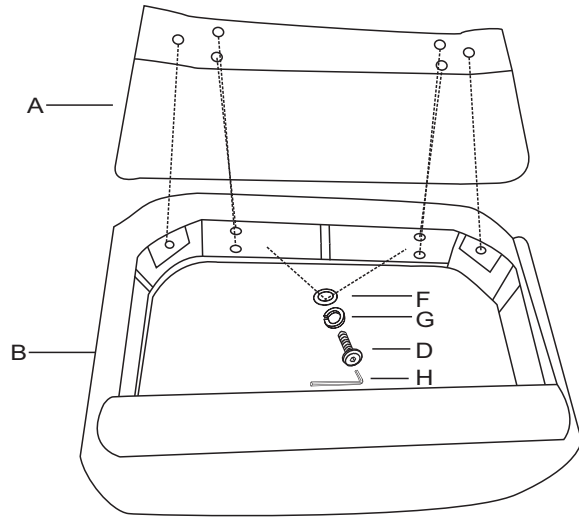
Be sure to check all packing material carefully for small parts, which may have come loose inside the carton during shipment.

ASSEMBLY INSTRUCTIONS

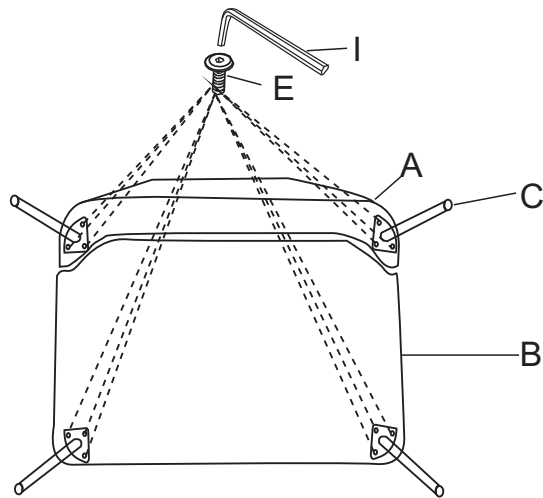


Place the chair seat/back assembly on clean padded surface.

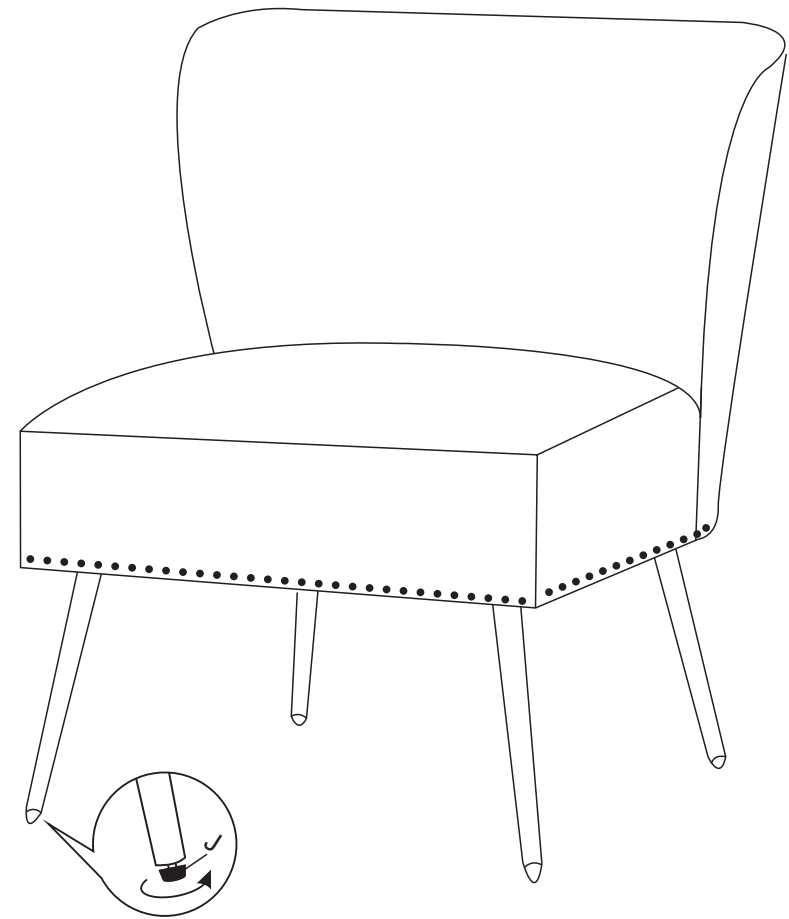
STEP 1: Place seat B on clean padded surface. Open the zipper pocket under seat and take legs C and hardware pack out.



STEP 2: Align hole position on seat cushion B and back A, use bolt D, flat washer F, spring washer G, allen wrench H to connect seat and back, make sure bottom edge of back align with rear bottom edge of seat then fasten all bolts to secure.



STEP 3 : Use bolt E , allen key I to attach legs C to bottom of the seat, fasten all bolts to secure.



Adjust levelers under legs to set the seat level.

STEP 4 : Assembly completed.