

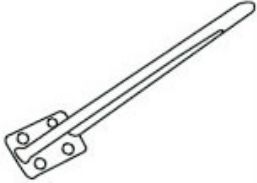


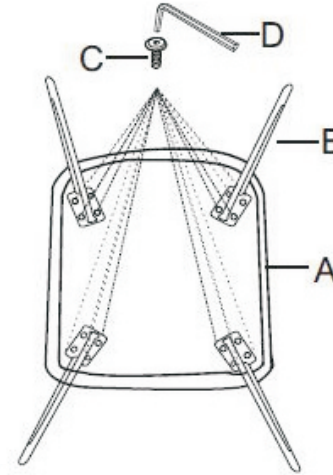


Assembly Instruction

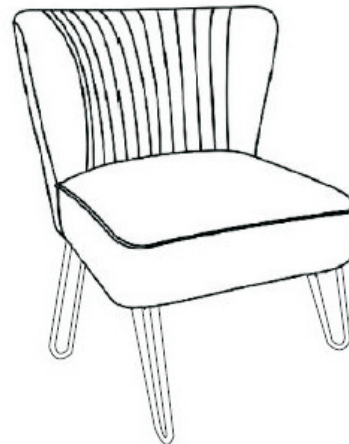
Item No:CHM0196

Ax1  1 PC	EXTPA PATRS  2 PCS
Bx4  4 PCS	
Cx16  16 PCS	
Dx1  1 PC	

- ① Place the Chair Back A on a clean padded surface. Use bolt C, allen key D to connect the metal leg B to bottom of the seat cushion A, make sure all holes align, fasten all bolts to secure.



- ② Assembly completed.



Be sure to check all packing material carefully for small parts, which may have come loose inside the carton during shipment.