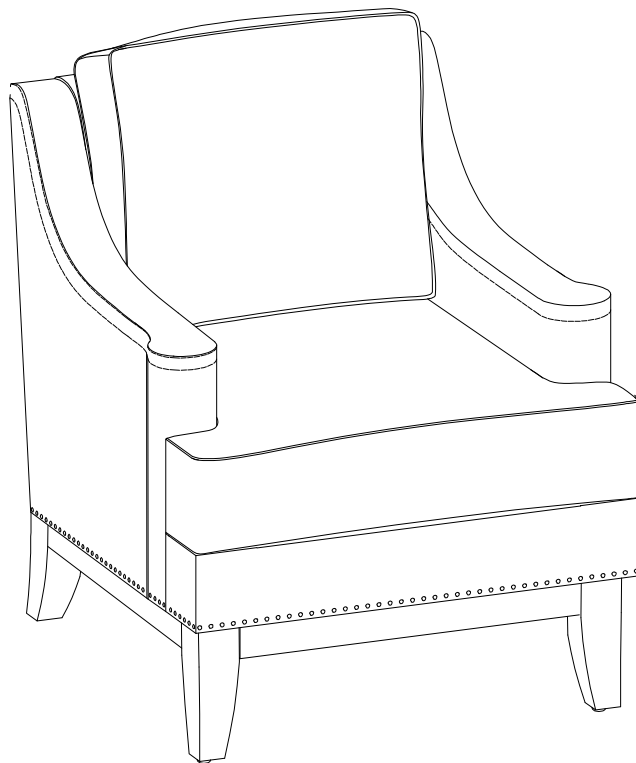


HULALA

H O M E



ITEM NO.CHJK0742

NOTE:

This brochure contains IMPORTANT safety info. Please read and keep for future reference.

MAINTENANCE AND WARNING

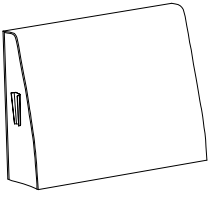
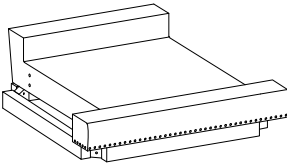

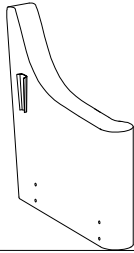
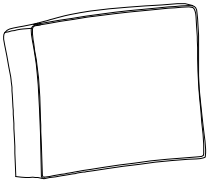
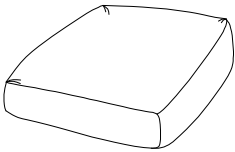
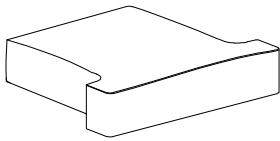



- Keep furniture away from heat sources.
- Do not clean furniture with harsh cleaner or polishes. Do not use detergents, Solvents, abrasives, spray packs or leather cleaner. Use non-color mild soap with warm water to clean spills (Mix 1:10 soap to water)
- Do not place furniture under direct sunlight, material will possibly fade over time.
- Do not use on site dry Cleaning machine. Children should not climb or jump on the furniture.
- Do not write on furniture that is not protected by a padded barrier .
- Not for commercial use, only for residential use.



Weight Limitation

250LBS

HARDWARE LIST

A 	B 	C 	D 
Backrest 1 PC	Seat Frame 1 PC	Right arm 1 PC	Left arm 1 PC
E 	F 	G 	H 
Back Cushion 1 PC	Back filler 1 PC	Seat cushion 1 PC	Front Legs 2 PCS
I 	J 		
Left rear leg 1 PC	Right rear leg 1 PC		

Persons Required For Assembly:

1Personen

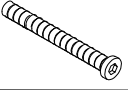




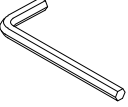


PARTS


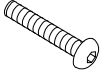



LIST 1

Spring washer

Allen Key

①	x8	②	x8	③	x8	④	x8	⑤	x8
									
M8*60mm Bolt		M6*40mm Bolt		M6*1.2mm Flat washer		M8*2mm Flat washer		M8 Spring washer	
⑥	x1								
									
M6 Allen Key									

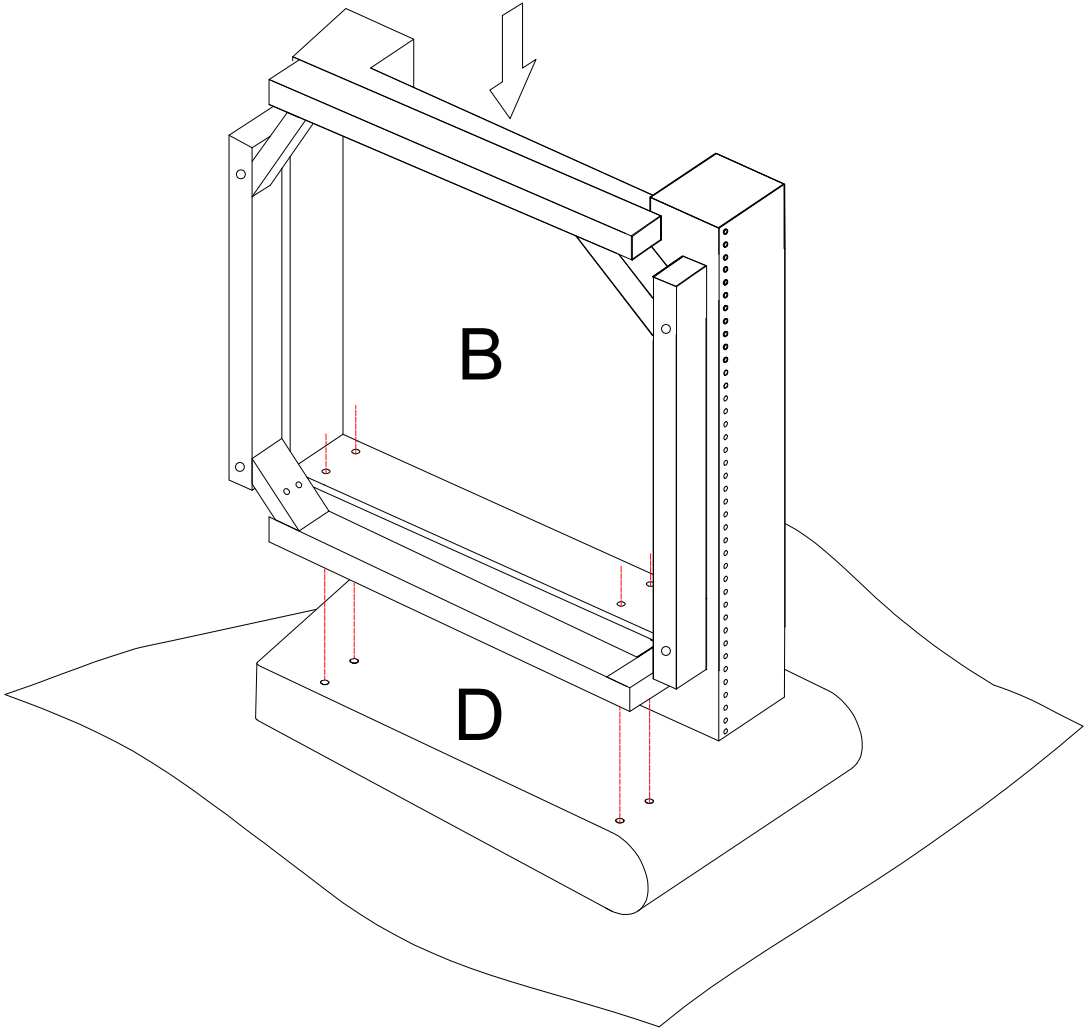
SPARE

①	x1	②	x1	③	x1	④	x1	⑤	x1
									
M8*60mm Bolt		M6*40mm Bolt		M6*1.2mm Flat washer		M8*2mm Flat washer		M8 Spring washer	

Be sure to inspect all packing material carefully for small parts, that may have come loose inside the carton during shipment.

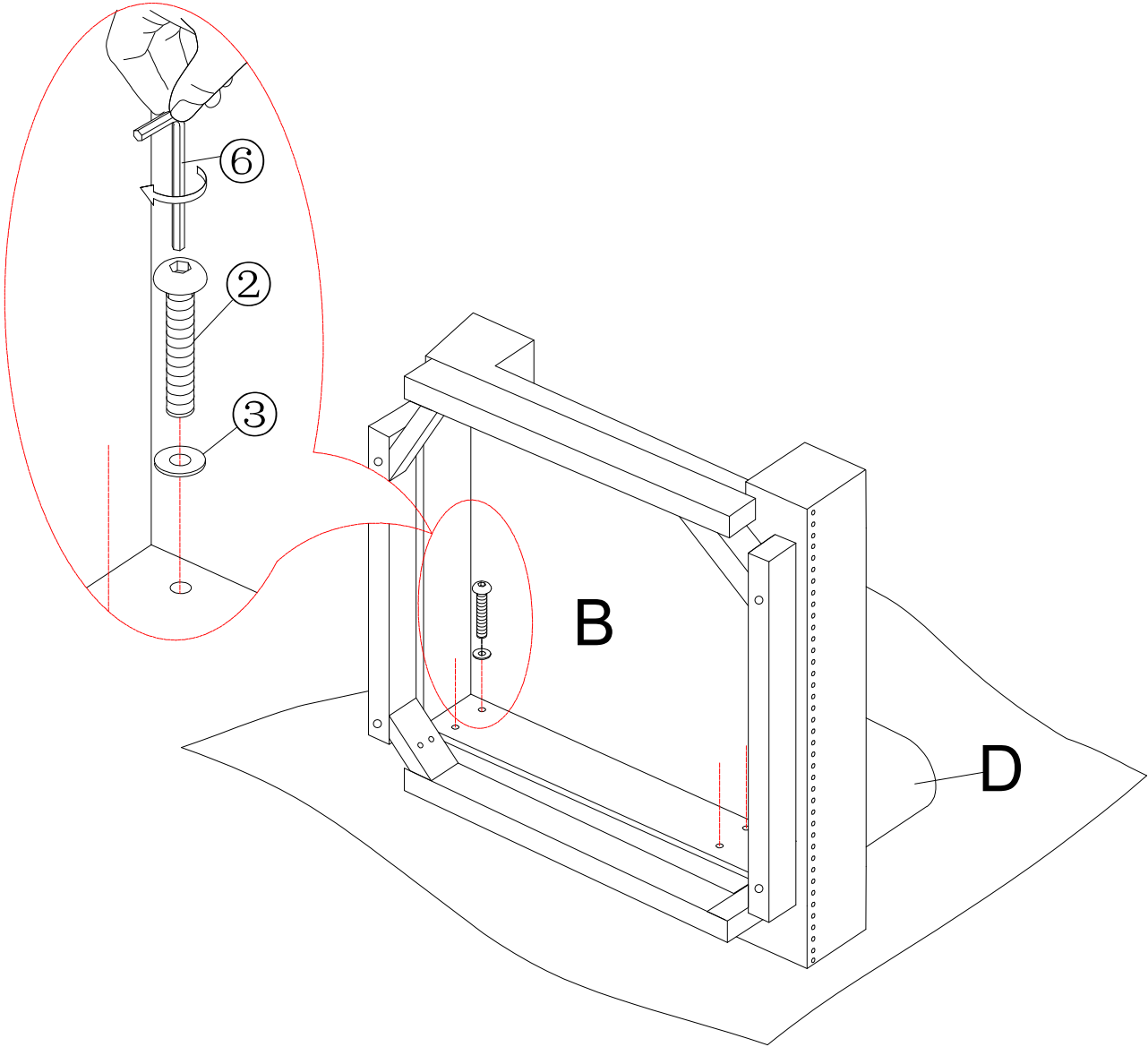
ASSEMBLY INSTRUCTIONS

STEP 1:



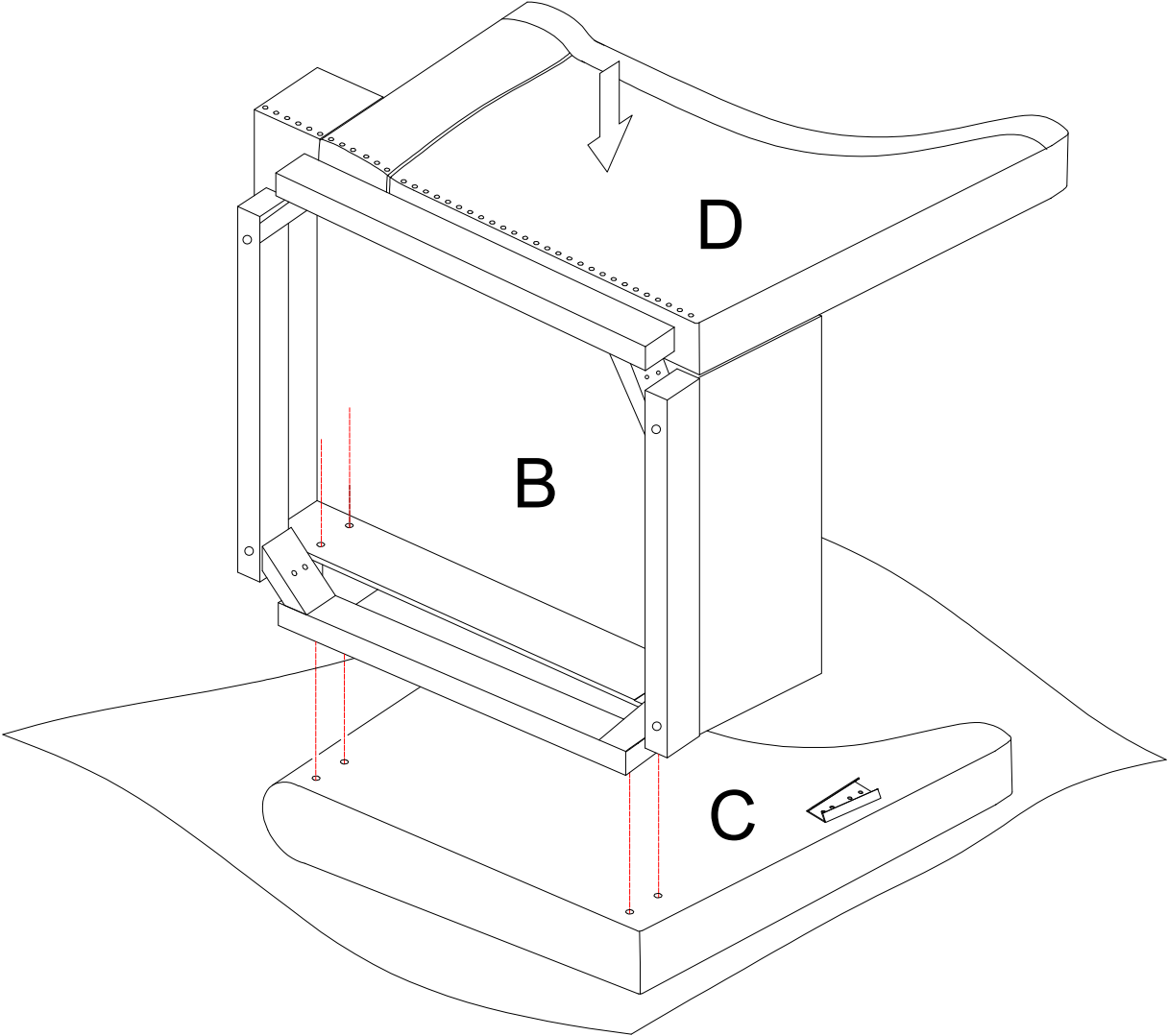
ASSEMBLY INSTRUCTIONS

STEP 2:



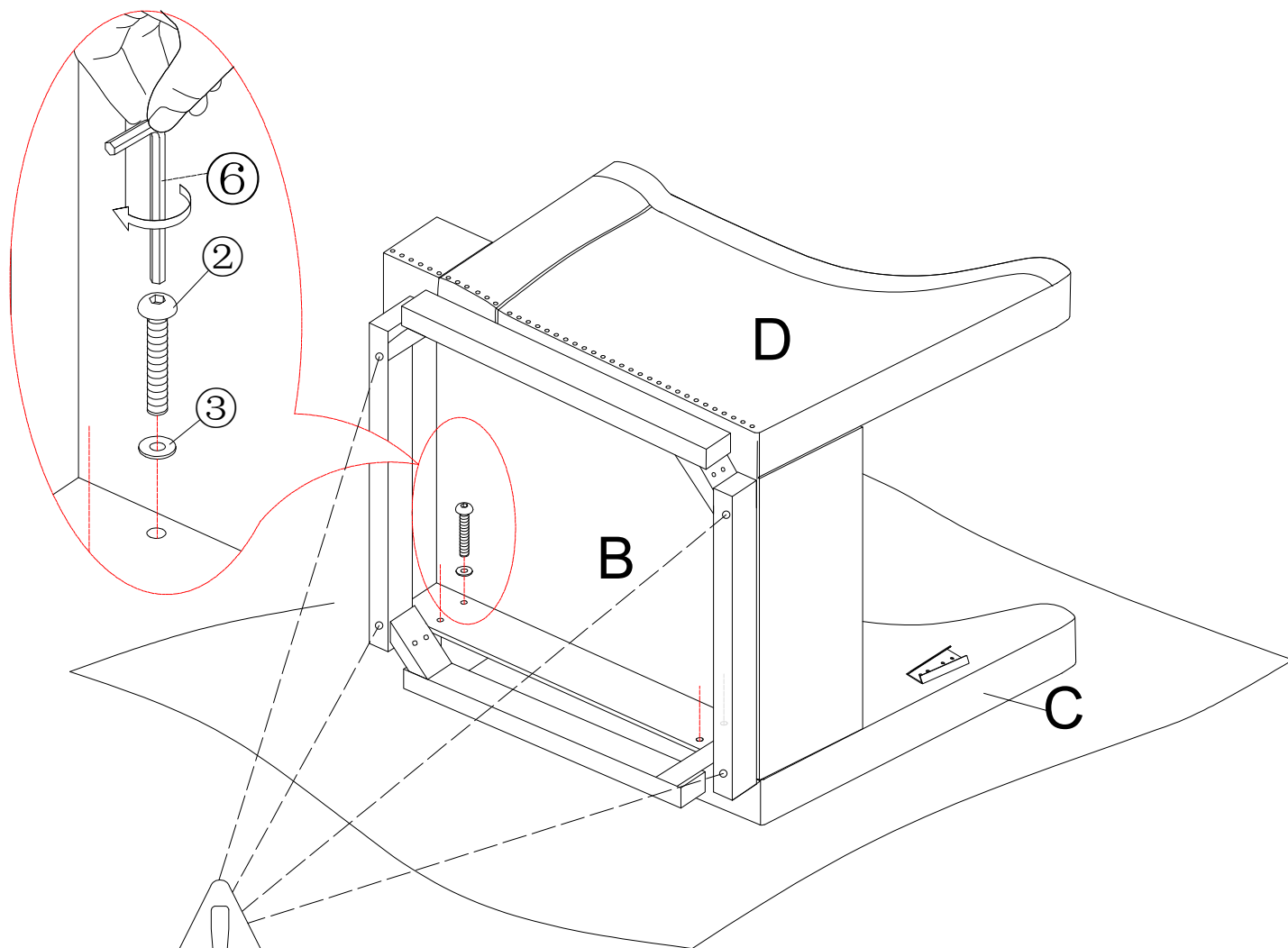
ASSEMBLY INSTRUCTIONS

STEP 3:



ASSEMBLY INSTRUCTIONS

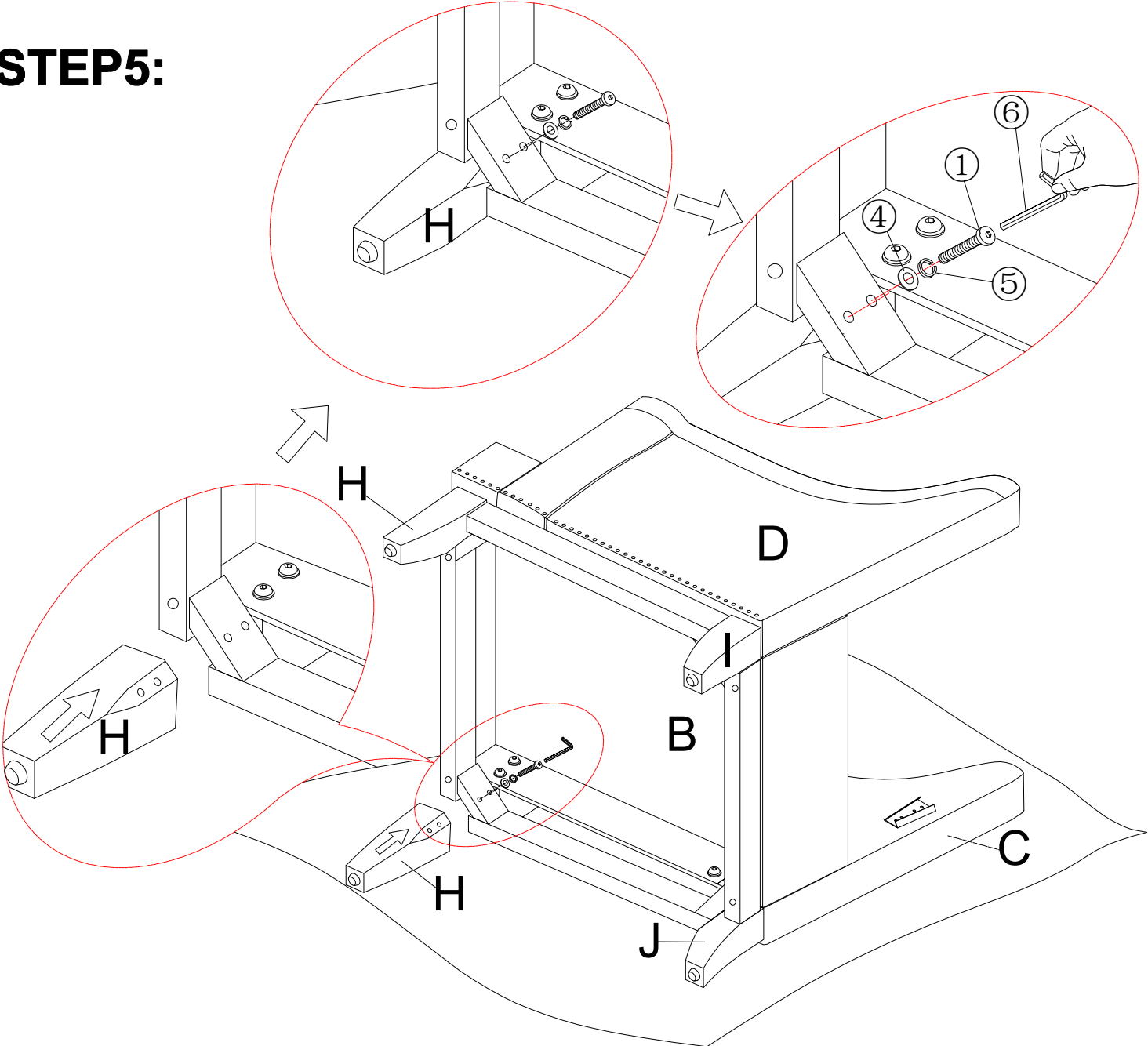
STEP 4:



When the arm are installed, tighten four bolts with allen key.

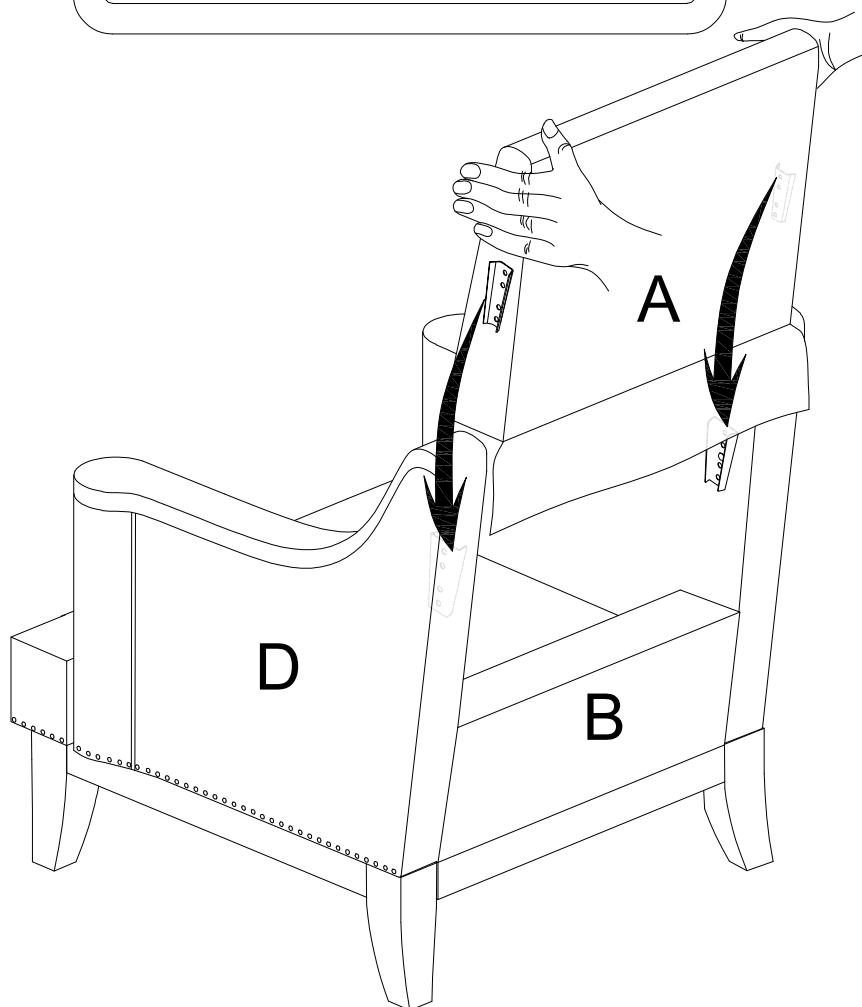
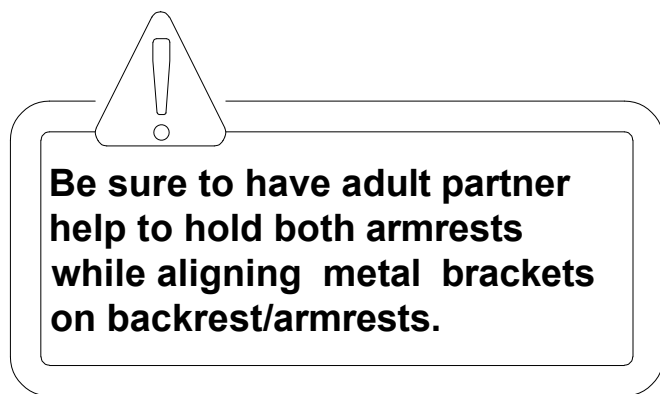
ASSEMBLY INSTRUCTIONS

STEP 5:



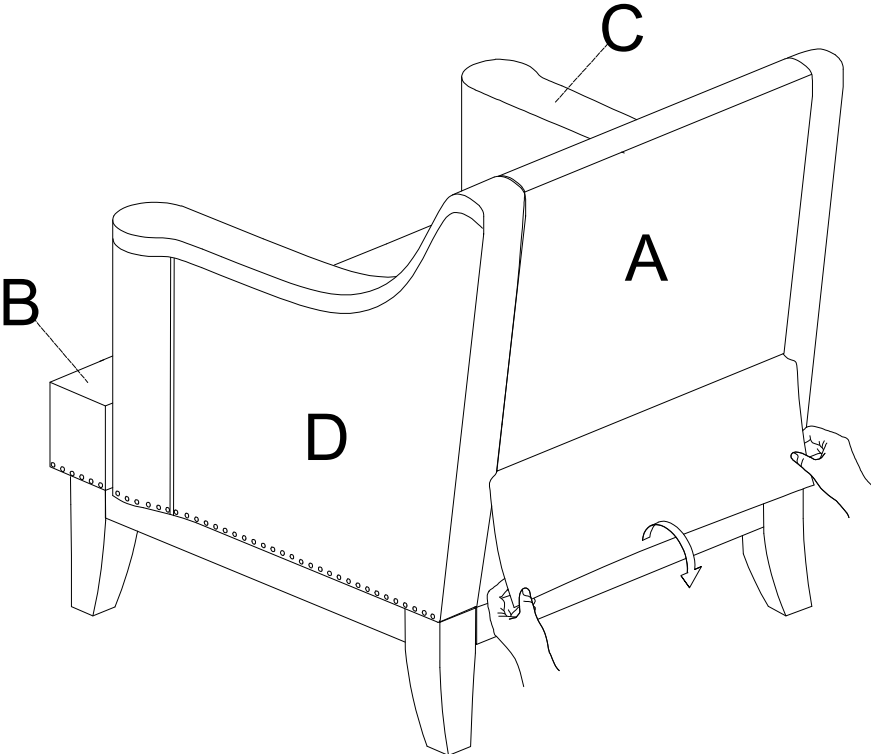
ASSEMBLY INSTRUCTIONS

STEP 6:



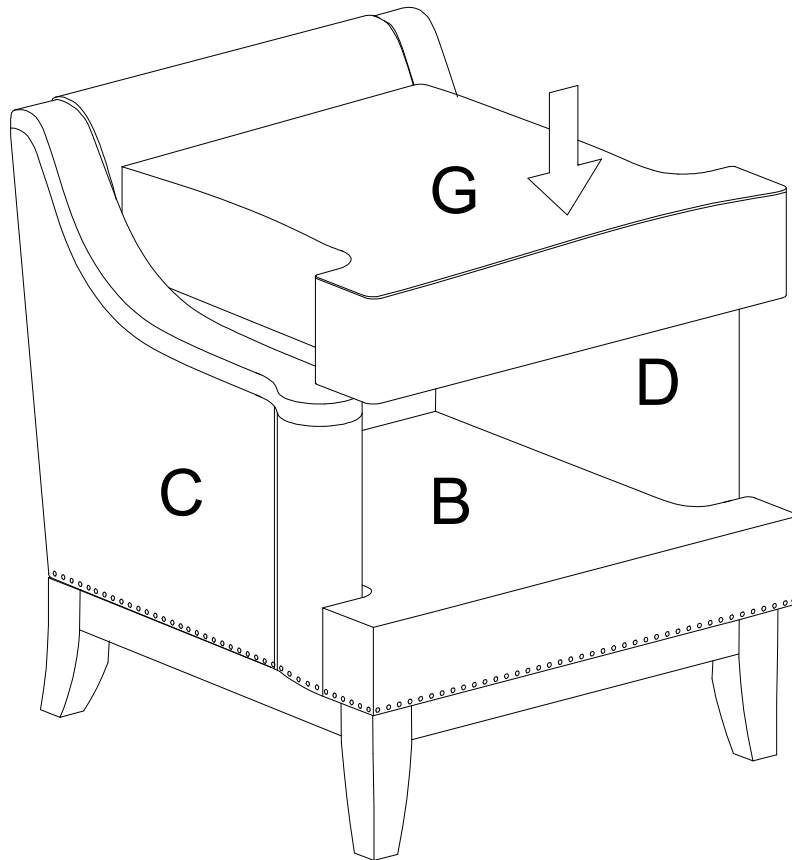
ASSEMBLY INSTRUCTIONS

STEP 7:



ASSEMBLY INSTRUCTIONS

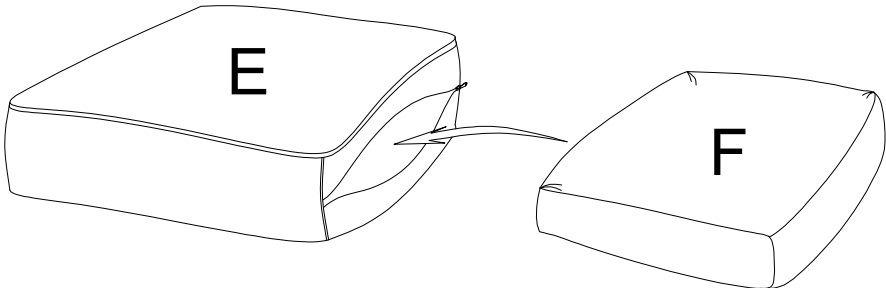
STEP 8:



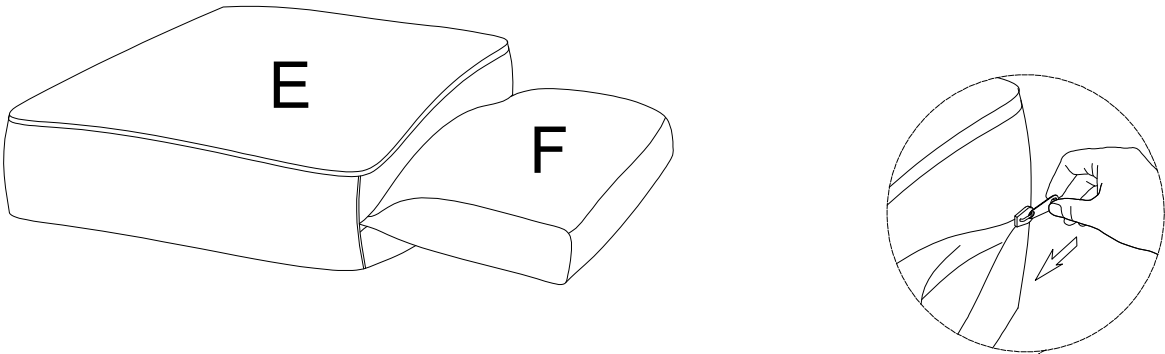
ASSEMBLY INSTRUCTIONS

STEP 9:

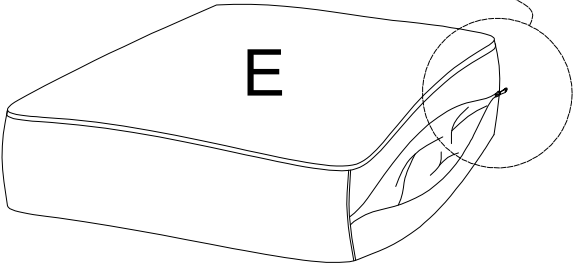
1.



2.

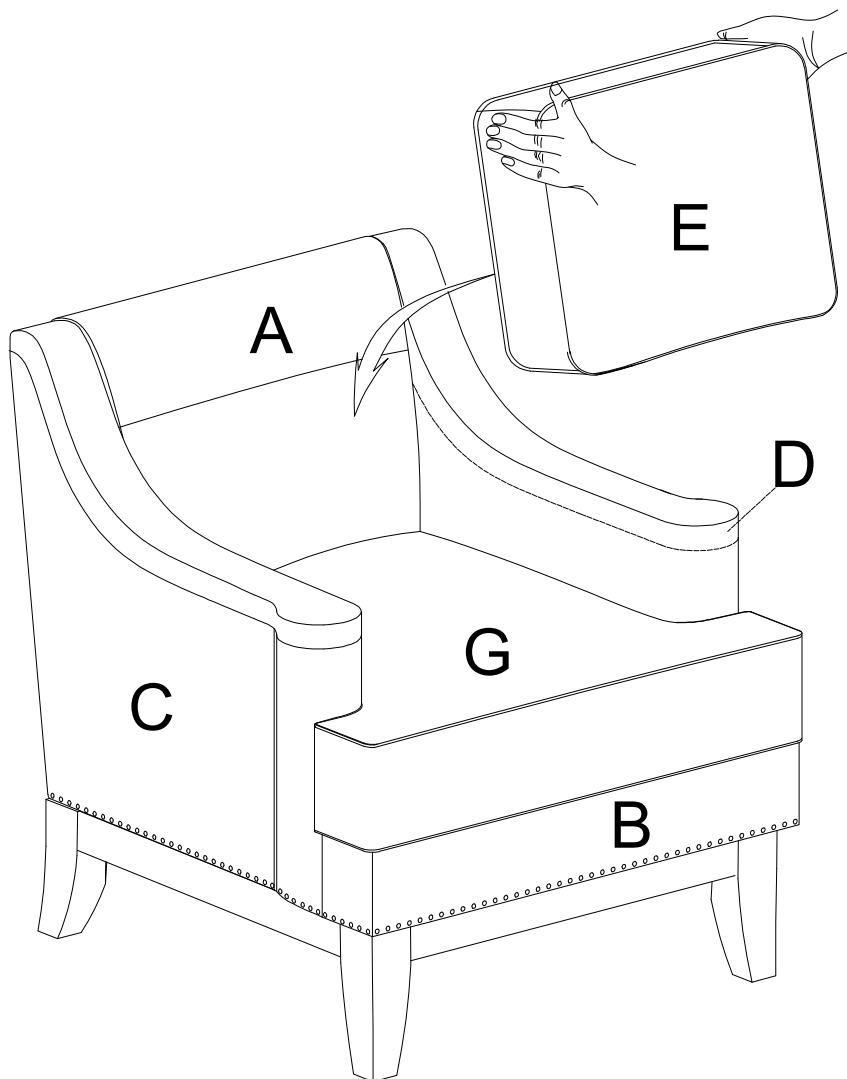


3.



ASSEMBLY INSTRUCTIONS

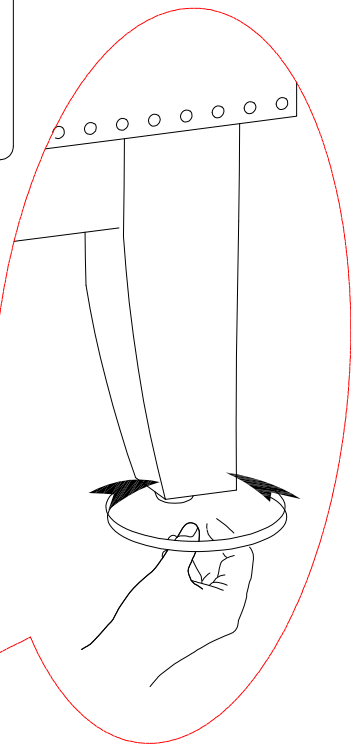
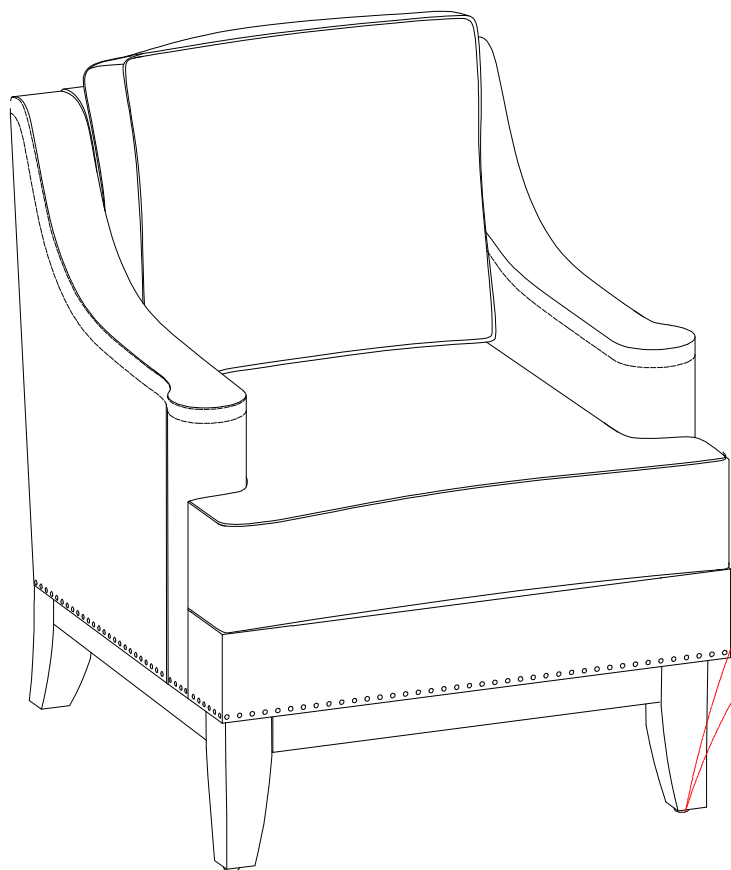
STEP 10:



ASSEMBLY INSTRUCTIONS

STEP 11:

Attention:
After installation, adjust
the adjustable leveler to
keep the chair balanced.



Assembly completed.

WARRANTY

We strive to offer high-quality products, and we also try our best to satisfy each and every customer that orders from us with product or service as needed. We provide 30 days warranty starting from the time you receive the item. Each customer must provide a record of their order such as the order number, or item receipt for any items that are out of the warranty period you may also still receive replacement parts by purchasing them with our company if they are available.

Are you having difficulty
with assembly? Missing parts?
Please send email with your order No to
customerservice@hulalahome.com
For return, please check the return policy with
the retailer or market place you bought from.

Appreciate your purchasing from us.
Pop up your life by our furniture piece!