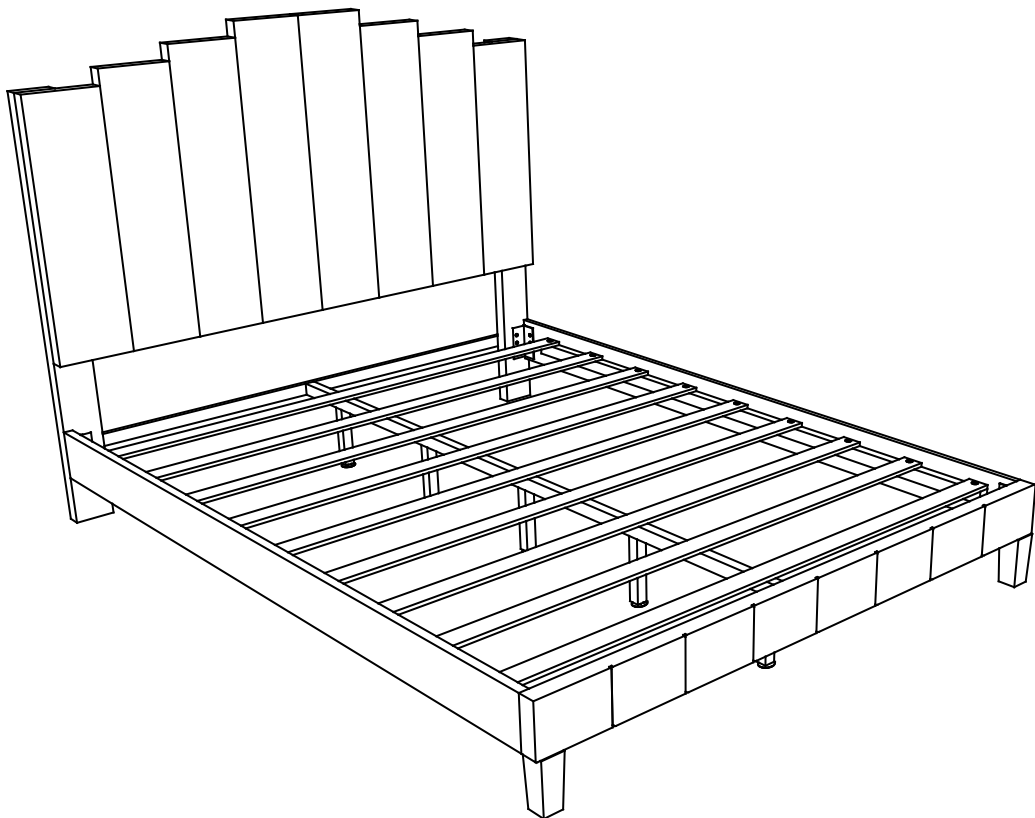


# HULALA

---

H O M E



**Item#BST0379-QB**

---

**NOTE:**

This brochure contains IMPORTANT safety info. Please read and keep for future reference.

---

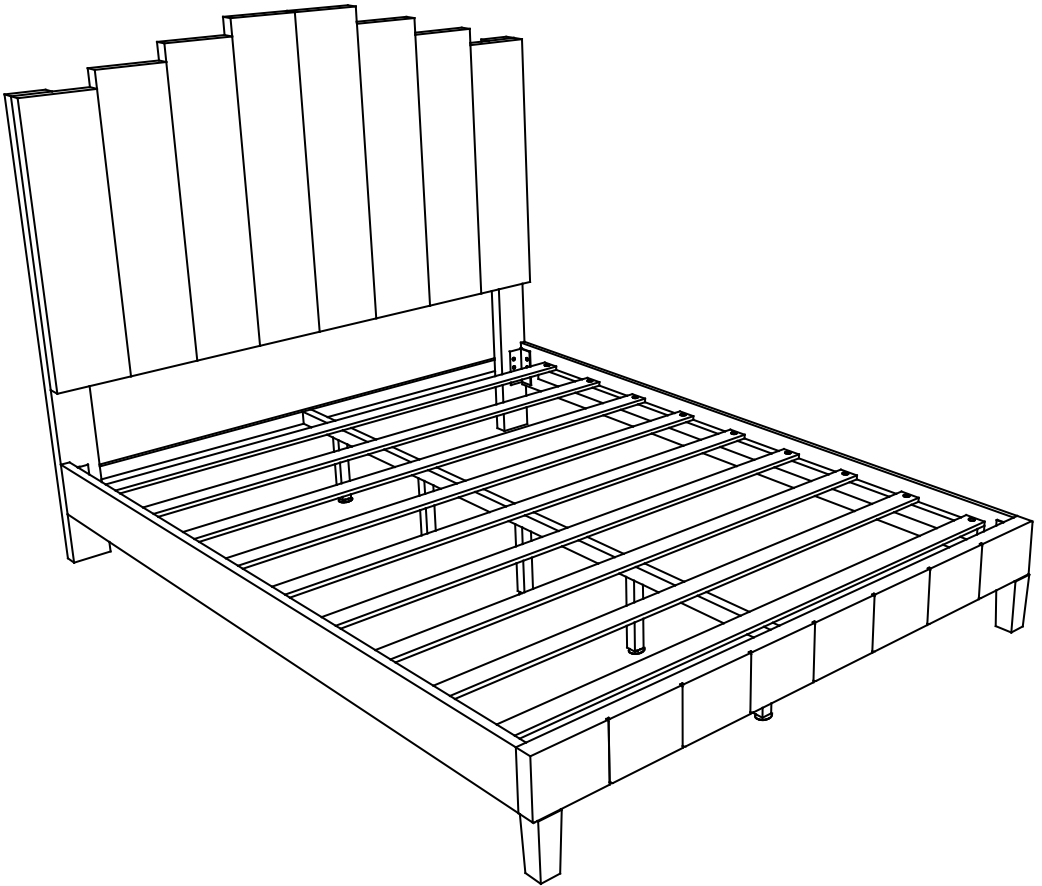
# MAINTAINANCE AND WARNING

- 1.Keep furniture away from heat sources.
- 2.Do not clean furniture with harsh cleaner or polishes.Do not use detergents,solvents,abrasives,spray packs or leather cleaner. Use non-color mild soa with warm water to clean spills(Mix 1:10 soap to water).
- 3.Do not place furniture under direct sunlight,material will possibly fade over time.
- 4.Do not use on site dry cleaning machine.Children should not climb or jump on the furniture.
- 5.Do not write on furniture that is not protectedby a padded barrier.
- 6.Not for commercial use,only for residential use.

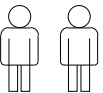


Weight Limitation  
**500 LBS**

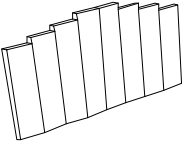



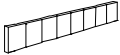






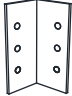
# EXPLOSIVE VIEW



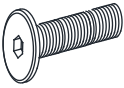
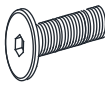
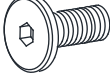
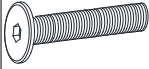






2PERSONEL



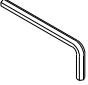
# PARTS LIST

No.1	x8	No.2	x2	No.3	x2	No.4	x2
 <p>Headboard Panels</p>		 <p>Cap For Upper Headboard</p>		 <p>Headboard Legs</p>		 <p>Pair of siderails</p>	
No.5	x1	No.6	x9	No.7	x1	No.8	x2
 <p>Footboard Cushion</p>		 <p>Slats</p>		 <p>Center Support Bar</p>		 <p>Footboard Legs</p>	
No.9	x5	No.10	x1	No.11	x2	No.12	x4
 <p>Center Support Legs</p>		 <p>Headboard Legs Cross Rail</p>		 <p>U-Shape For Center Supporting Rail</p>		 <p>L-Shape Metal Brackets</p>	

# HARDWARE LIST

B	x6	C	x16	D	x24	E	x5	F	x46	G	x5
											
Bolt 5/16x45		Bolt 5/16x35		Bolt 5/16x25		Bolt 1/4x60		Flat washer 5/16		Flat washer 1/4	
H	x46	I	x5	K	x18	J	x12				
											
Spring washer 5/16		Spring washer 1/4		Screw F4x30		Screw F4x15					

# TOOL LIST

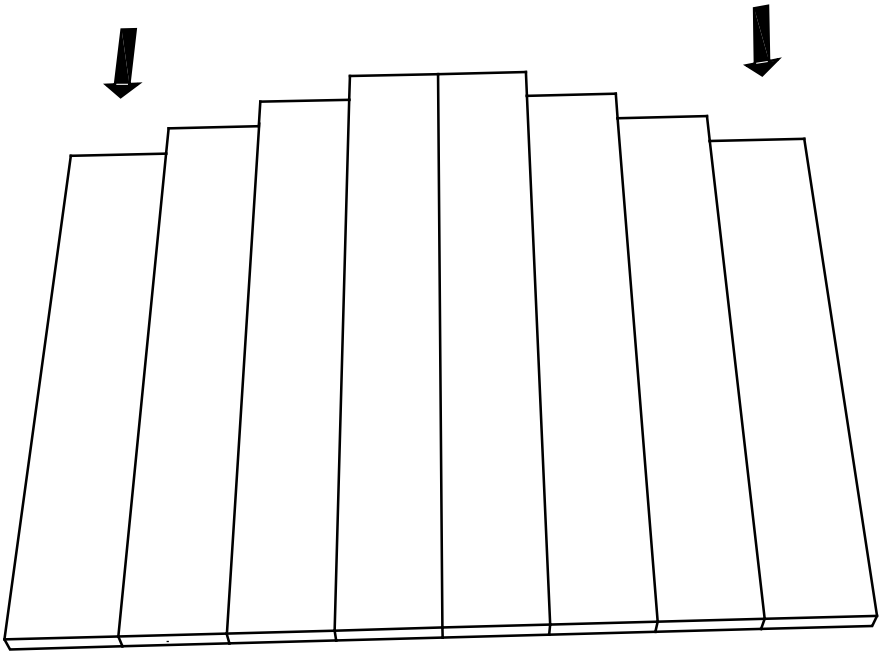
A	x1
	
Allen Key	

# ASSEMBLY INSTRUCTIONS

## STEP-1: SET UP THE HEADBOARD PANELS IN ORDER

A) Lay down all 8 pcs of headboard panels on a clean dried flat surface in a row with the front side facing up so they look as they will on the headboard in the order as shown above.

B) Examine the panels to be sure that they are in the proper order and that the color matches and looks appropriate. Important note: Due to the nature of velvet fabric, there may be color variation between the first and the last piece of the panels with the rest of the panels. You may need to turn the direction of the panels to get the color to be uniform. make sure the holes will line up in step 2.

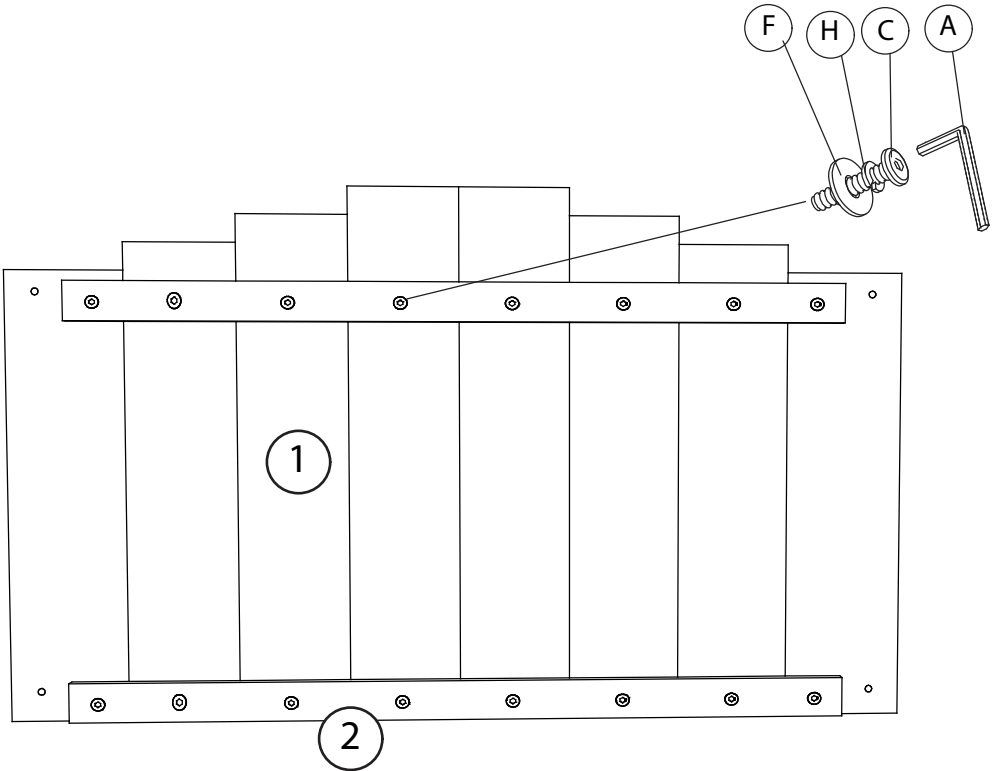


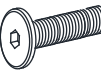
# ASSEMBLY INSTRUCTIONS


## STEP-2: INSTALL THE HEADBOARD


A) When all panels (1) and 2 caps for upper headboard (2) are in place, attach bolt (C) fitted with spring washer (H) and flat washer (F).


B) When all bolts (C) are in place, use Allen key (A) to fully tighten all bolts. Make sure to push all panels are close-by-side each other, and no empty space between each panel.



C	x16
	
Bolt 5/16x35	

H	x16
	
Spring washer 5/16	

F	x16
	
Flat washer 5/16	

A	x1
	
Allen Key	

# ASSEMBLY INSTRUCTIONS

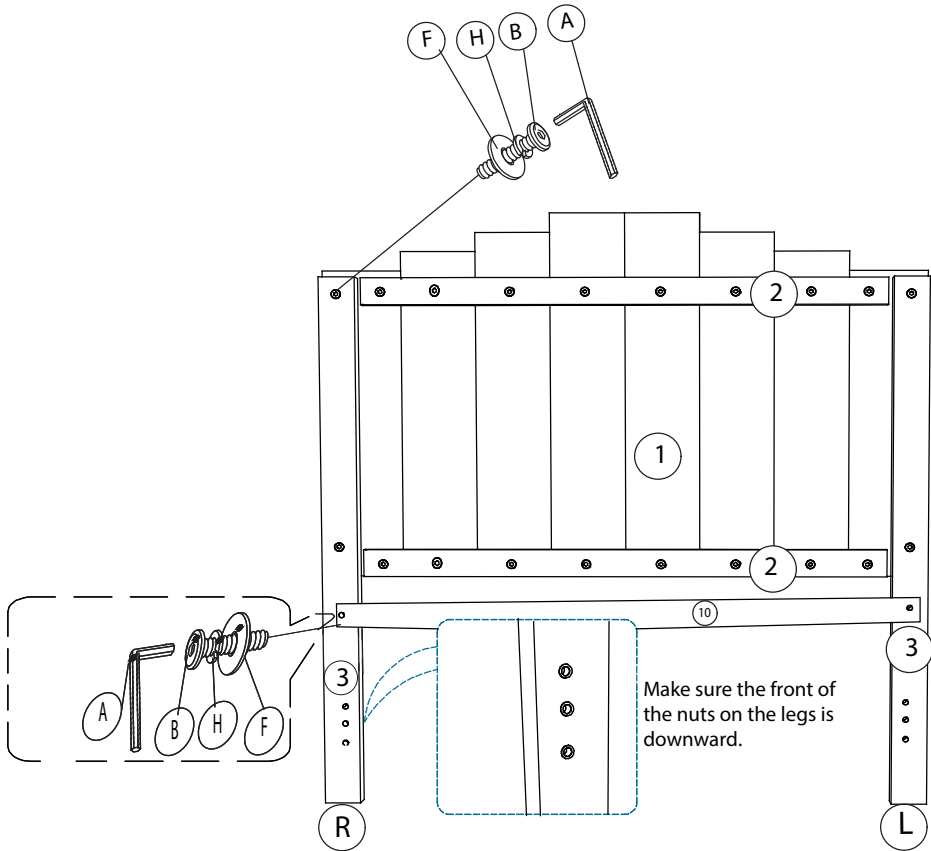
## STEP-3: INSTALL THE HEADBOARD LEGS (3) AND THE CROSS RAIL (10)

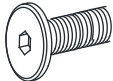


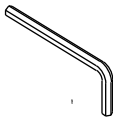
A) Put the legs (3) and the cross rail (10) in place as shown below.

\*Important note: make sure the front of the nuts on the legs (3) are put downward.

B) Install Bolt (B) fitted with spring washer (H) and flat washer (F) into the holes on the legs (3). Use Allen Key (A) to fully tighten all bolt (B) just installed.

B) Install Bolt (B) fitted with spring washer (H) and flat washer (F) into the holes on the cross rail (10). Use Allen Key (A) to fully tighten.



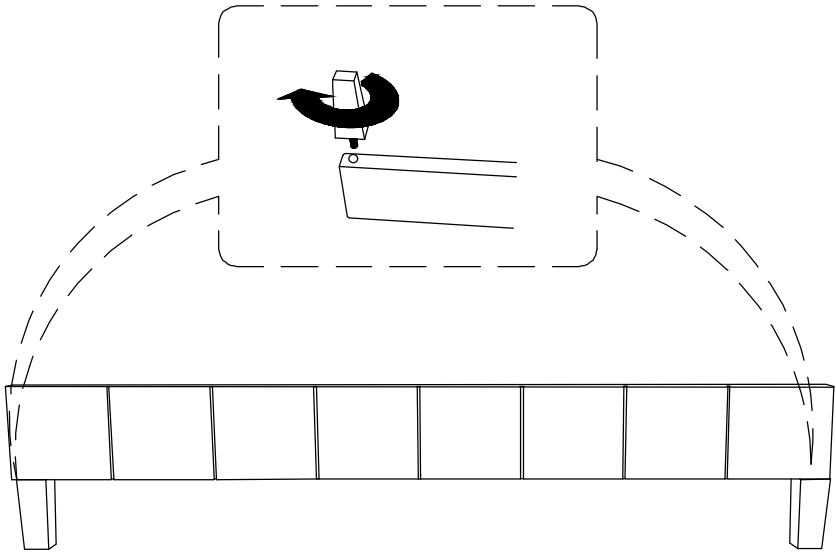
B	x6	H	x6	F	x6	A	x1
							
Bolt 5/16x45		Spring washer 5/16		Flat washer 5/16		Allen Key	



# ASSEMBLY INSTRUCTIONS

## STEP-4: INSTALL LEGS (8) FOR THE FOOTBOARD (5)

Turn round the legs (8) into the nuts of the footboard (5) until fully tight.

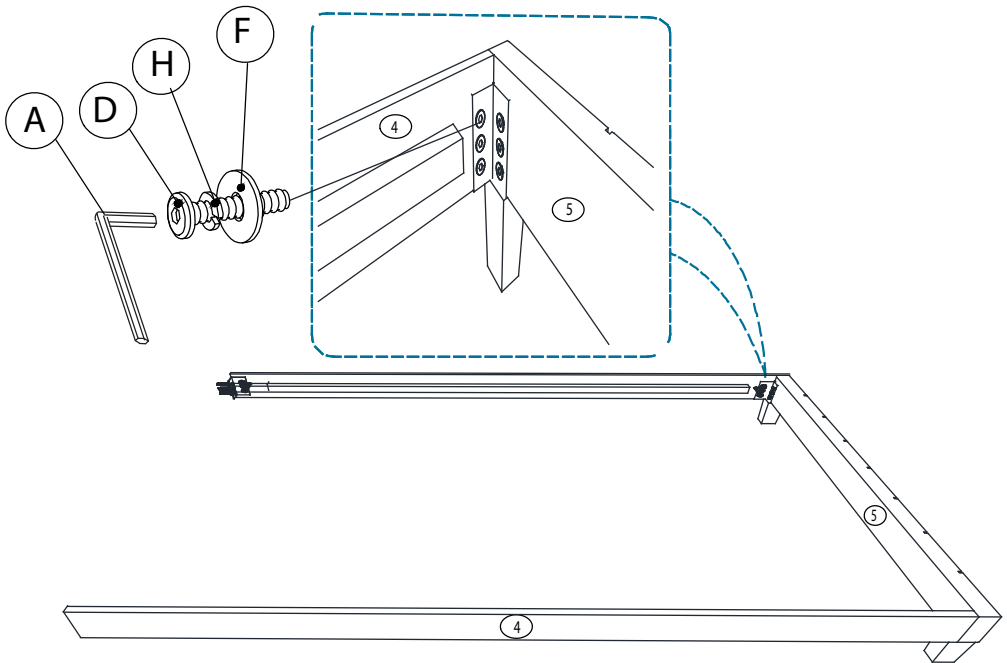



# ASSEMBLY INSTRUCTIONS


## STEP-5: INSTALL SIDERAILS (4) TO THE FOOTBOARD (5)

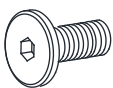
A) With assistance, put one siderail close to the footboard, then place the L-shape metal brackets (12) on. Place bolt (D) fitted with spring washer (H) and flat washer (F) in holes. Use Allen key (A) to fully tighten all the bolts.


B) Redo step A with the other siderail.



F	x12
	
Flat washer 5/16	

H	x12
	
Spring washer 5/16	

D	x12
	
Bolt 5/16x25	

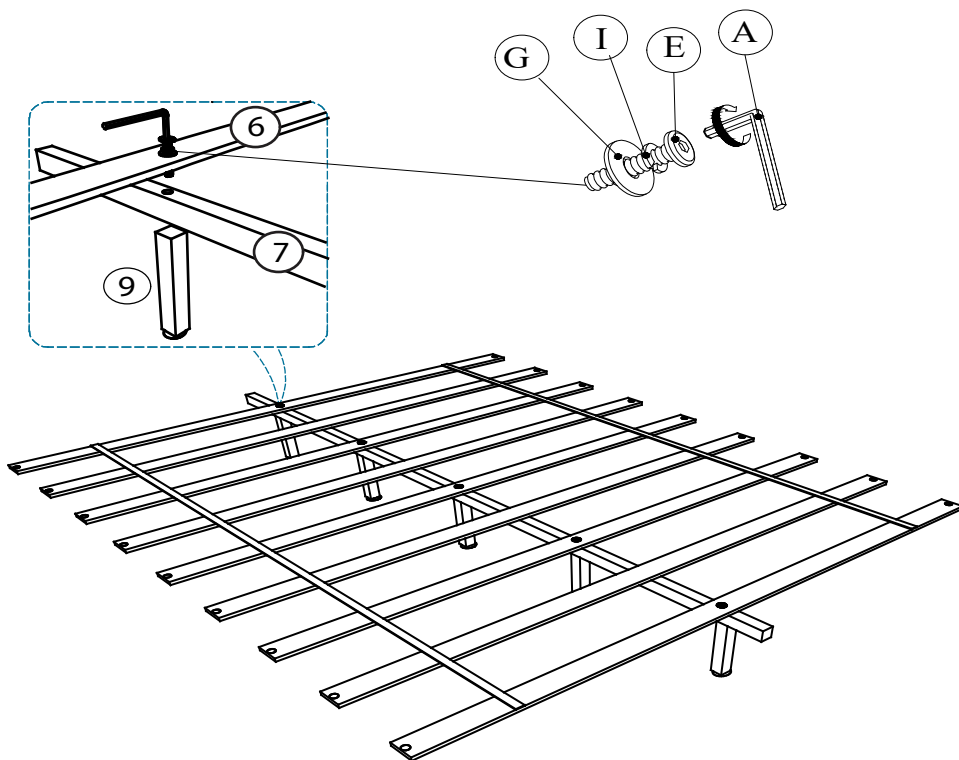
A	x1
	
Allen Key	





# ASSEMBLY INSTRUCTIONS

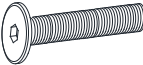
## STEP-7

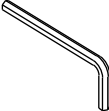
With assistance, use Allen Key (A) to tighten Bolt (E) fitted with Spring Washer (I) and Flat Washer (G) to attach 5 pieces of Slats (6) denoted as S1,S3,S5,S7,S9 to the Center Support Bar (7) and Center Support Legs (9) as shown above.



G	x12
	
Flat washer 1/4	

I	x12
	
Spring washer 1/4	

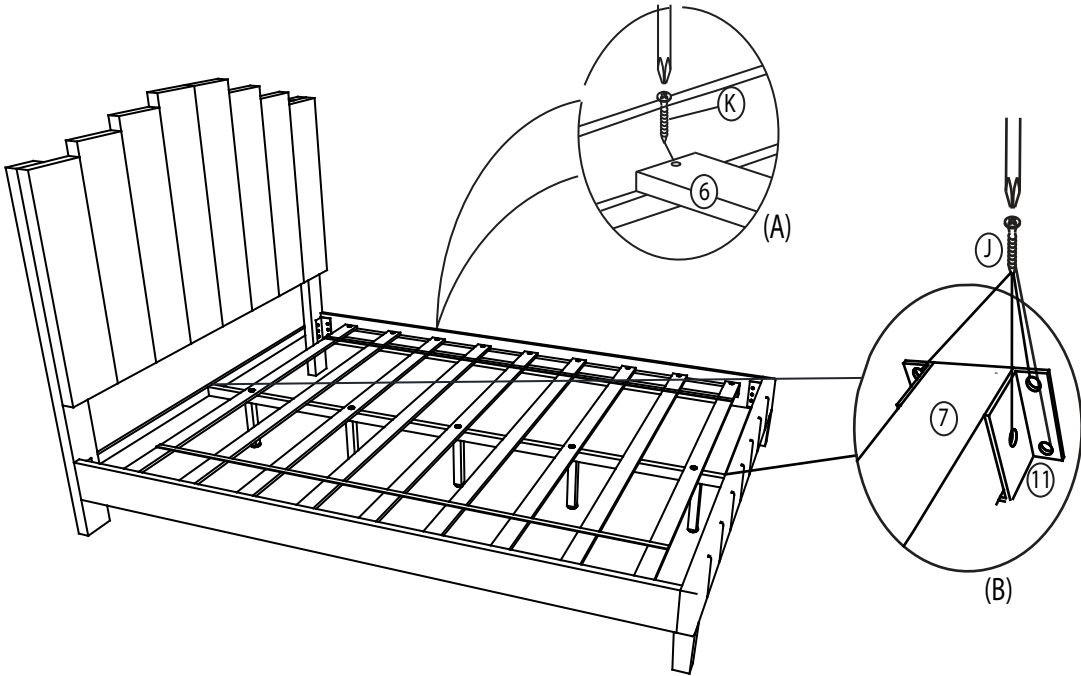
E	x12
	
Bolt 1/4x60	


A	x1
	
Allen Key	

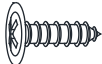
# ASSEMBLY INSTRUCTIONS

## STEP-8: WITH ASSISTANCE, PUT THE SET OF SLATS INTO THE BED

- A. Use Screws (K) to fully drive all slats on bolt slats heads.
  - B. Use Screws (J) to install the U-Shape (11)
- THE BED IS COMPLETE.



K	x18
	
Screw F4x30	

J	x12
	
Screw F4x15	

# WARRANTY

1. We strive to offer high-quality products, and we also try our best to satisfy each and every customer that orders from us with product or service as needed.
2. We provide 30 days warranty starting from the time you receive the item. Each customer must provide a record of their order such as the order number, or item receipt for any items that are out of the warranty period you may also still receive.
3. Replacement parts by purchasing them with our company if they are available.

Are you having difficulty  
With assembly? Missing parts?  
Please send email with your order No to  
**[customerservice@hulalahome.com](mailto:customerservice@hulalahome.com)**  
For return, please check the return policy with  
the retailer or market place you bought from.

Appreciate your purchasing from us.  
Pop up your life by our furniture piece!