

**ASSEMBLY INSTRUCTIONS**  
**Pietro Tufted Upholstered Platform Bed-QB**  
**Item#BST0378-QB**

**ASSEMBLY  
REQUIREMENTS**

2-Person  
Assembly

2 Hours  
Assembly Time  
(Approximate)

Thank you for purchasing our product!

Please refer and use this assembly instruction to assemble the product. Contact our customer service department in case there are any missing or damage parts or hardware. Replacement parts are normally shipped within 2 or 3 days.

We appreciate your business!



**ASSEMBLY PREPARATION**

1. Remove all packaging materials, staples and packing straps from the carton.
2. Refer to Parts List and Hardware List, and ensure parts and hardware are correct before assembly.  
Contact customer service for missing parts.
3. Place all wooden parts on a clean, flat and soft surface (e.g. carpet or rug) to prevent scratch and damage to parts.

**SAFETY PRECAUTION**

1. KEEP ALL HARDWARE PARTS OUT OF REACH OF CHILDREN.
2. DISPOSE PLASTIC PACKAGING MATERIAL IMMEDIATELY TO AVOID ANY RISK OF SUFFOCATION TO CHILDREN AND ANIMALS.

**TIPS FOR ASSEMBLY**

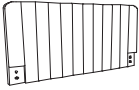

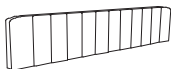
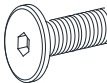

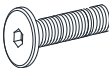

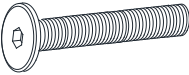








1. Allow ample room for assembly and assemble the product near where the product will be placed.
2. Assemble the product on a surface that does not scratch or damage the exterior gloss and finish of the furniture.
3. Identify all of the parts, hardware and quantities required for each step.
4. During assembly, do not over-tighten any fittings as this may cause damage.
5. DO NOT USE POWER TOOLS TO ASSEMBLE THIS PRODUCT.
6. Always place the product on a flat, level surface.
7. Do not sit or stand on the partially assembled product; only use the product for which it is intended.

**CARE AND MAINTENANCE**

- Use a slightly damp cloth to clean the product. Do not use bleach or abrasive cleaning material.
- Check all the fittings periodically and re-tighten as necessary. Do not use the product if any of the parts is damaged or broken.
- Never allow any kind of liquid to remain on your furniture. Absorption can cause wood to warp or delaminate.
- Do not place hot items (e.g. hot drinks) directly onto the wood surface.
- Do not drag and/or pull the furniture.

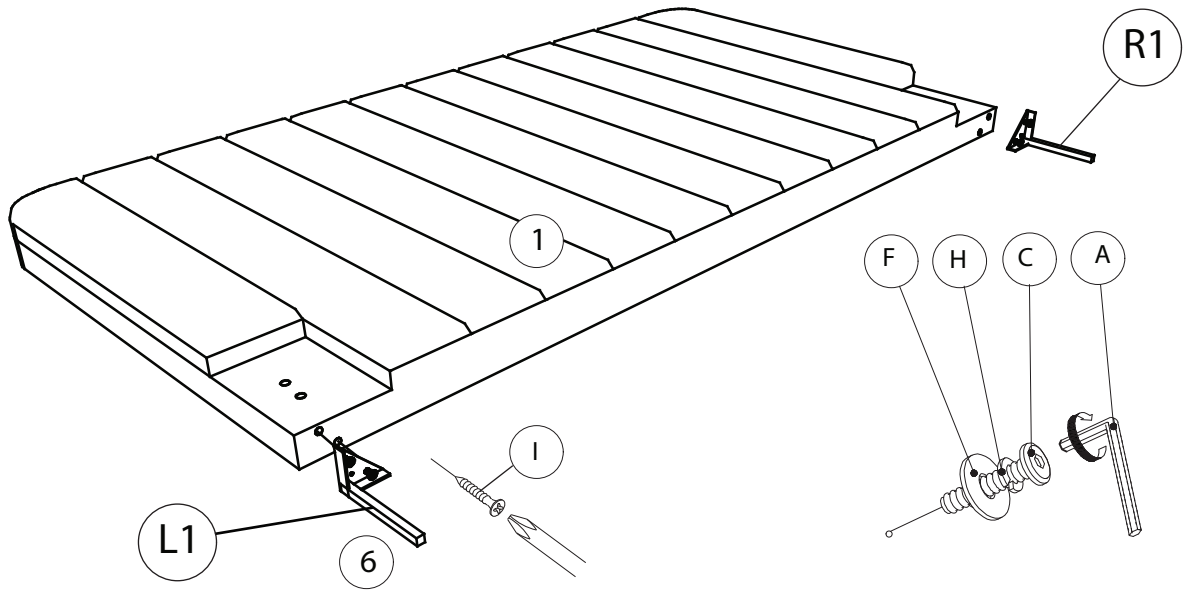
This product is for indoor and household use only - not for commercial use.

**ASSEMBLY INSTRUCTIONS**  
**Pietro Tufted Upholstered Platform Bed-QB**  
**Item#BST0378-QB**

| NO | PART LIST   | QTY   | NO | HARDWARE  | QTY   |
|----|---|-------|----|---|-------|
| 1  |  HEADBOARD CUSHION                               | 1PC   | A  |  ALLEN KEY            | 1PC   |
| 2  |  FOOTBOARD CUSHION                               | 1PC   | B  |  BOLT 5/16*25         | 8PCS  |
| 3  |  SIDE RAIL (L/R)                                 | 2PCS  | C  |  BOLT 1/4*25          | 8PCS  |
| 4  |  SLATS   | 12PCS | D  |  BOLT 1/4*60          | 5PCS  |
| 5  |  CENTER SUPPORT BAR                            | 1PC   | E  |  FLAT WASHER 5/16   | 8PCS  |
| 6  |  HEADBOARD FOOTBOARD LEGS                      | 4PCS  | F  |  FLAT WASHER 1/4    | 13PCS |
| 7  |  CENTER SUPPORT LEGS<br>(With adjustable feet) | 5PCS  | G  |  SPRING WASHER 5/16 | 8PCS  |
|    |   |       | H  |  SPRING WASHER 1/4  | 13PCS |
|    |   |       | I  |  SCREW F4x30        | 52PCS |

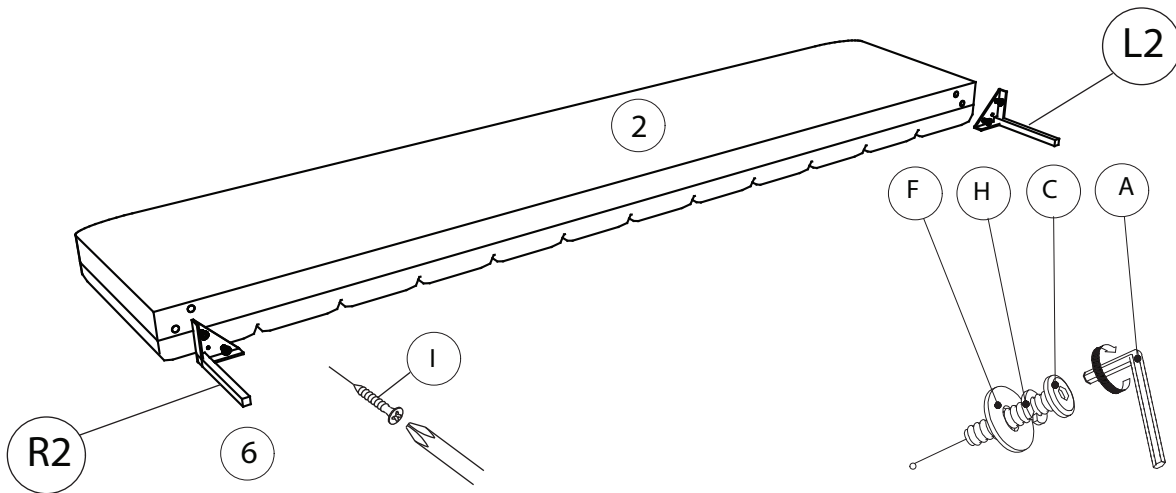
ASSEMBLY INSTRUCTIONS  
Pietro Tufted Upholstered Platform Bed-QB  
Item#BST0378-QB

STEP 1:



- A. Use Allen Key (A) to drive Bolt (C) fitted with Spring Washer (H) and Flat Washer (F) to install the Legs (6) to Headboard Cushion (1).  
B. Use Screw (I) to fasten Legs (6) to Headboard Cushion (1)

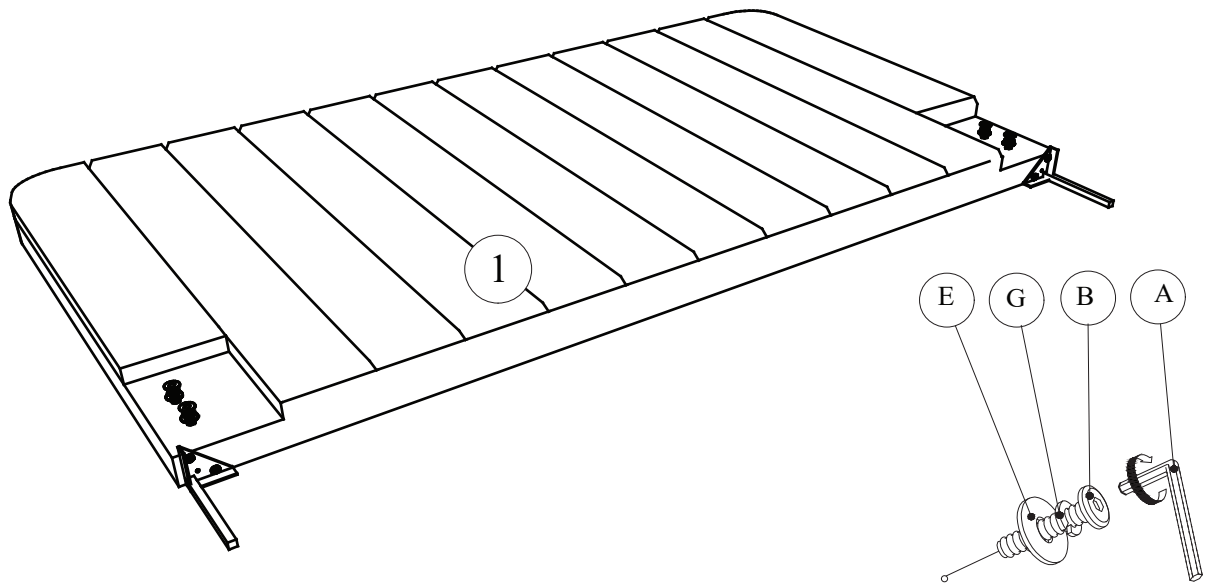
STEP 2:



- A. Use Allen Key (A) to drive Bolt (C) fitted with Spring Washer (H) and Flat Washer (F) to install the Legs (6) to Footboard Cushion (2).  
B. Use Screw (I) to fasten Legs (6) to Footboard Cushion (2).

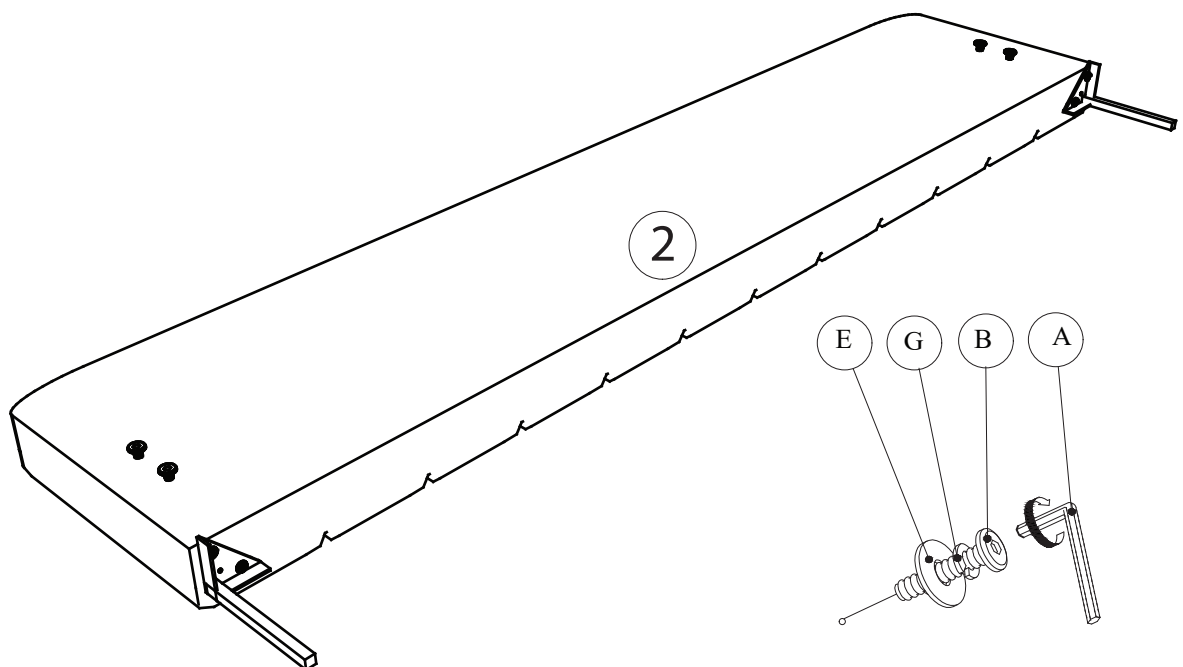
ASSEMBLY INSTRUCTIONS  
Pietro Tufted Ulphostered Platform Bed-QB  
Item#BST0378-QB

STEP 3:



A. Use Allen Key (A) to drive and loosely screw in Bolt (B) fitted with Spring Washer (G) and Flat Washer (E) onto the Headboard Cushion (1).

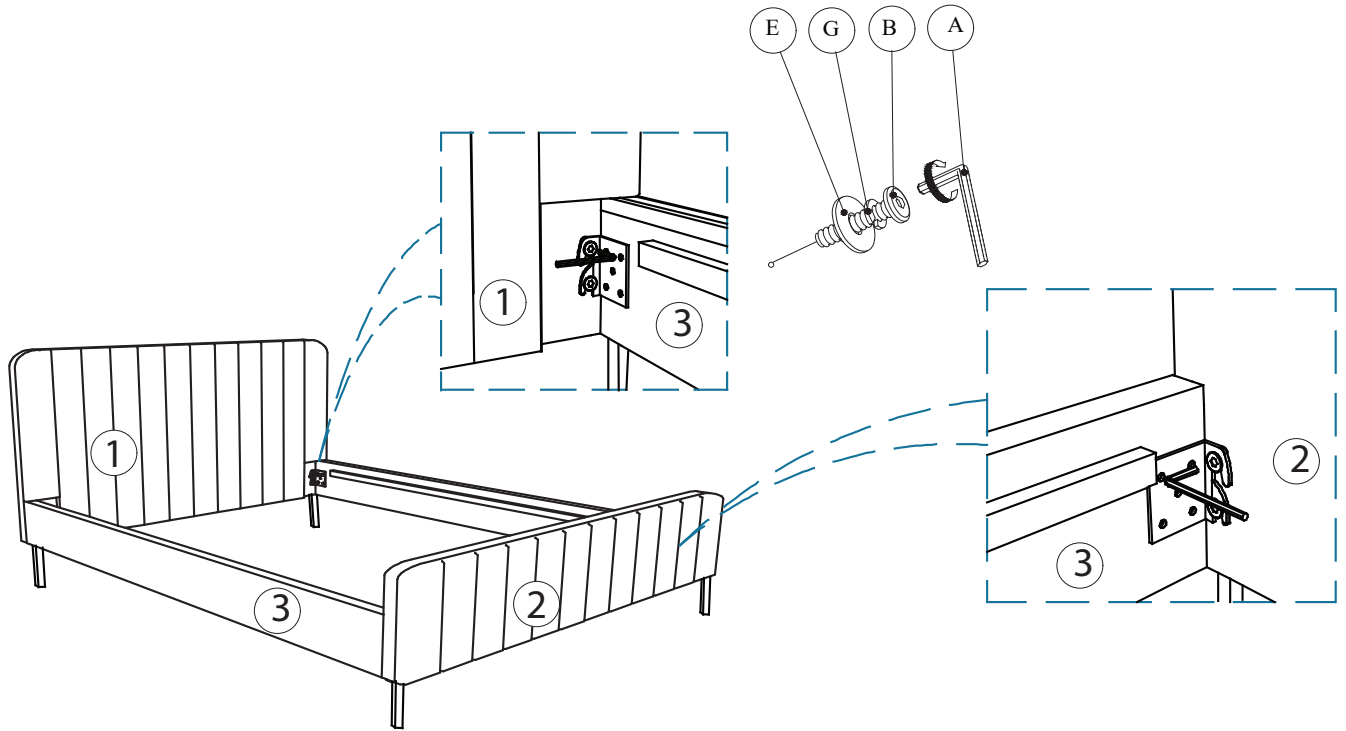
STEP 4:



A. Use Allen Key (A) to drive and loosely screw in Bolt (B) fitted with Spring Washer (G) and Flat Washer (E) onto the Footboard Cushion (2).

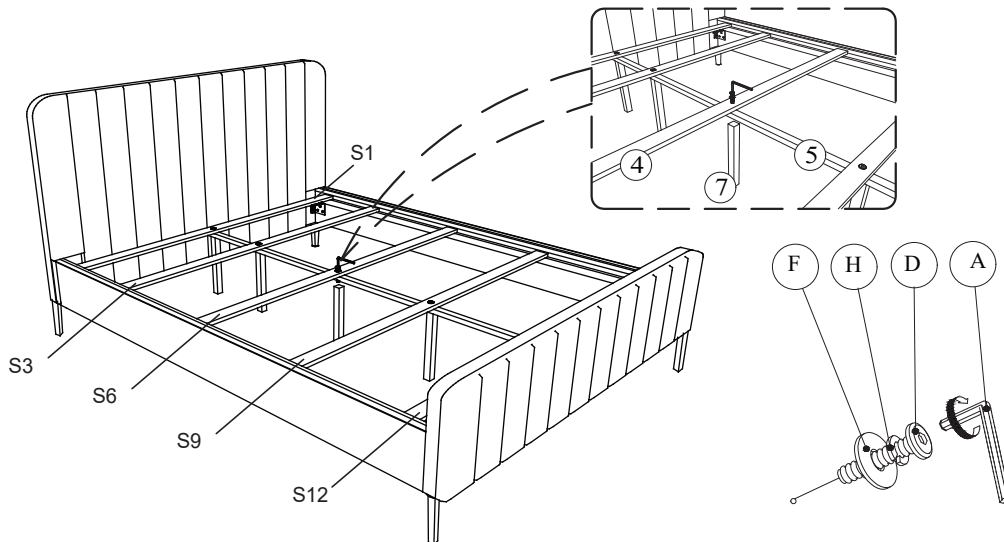
**ASSEMBLY INSTRUCTIONS**  
**Pietro Tufted Upholstered Platform Bed-QB**  
 Item#BST0378-QB

**STEP 5**



- A. With assistance attach Left and Right Side Rail (3) to Headboard (1) and Footboard (2).  
 B. Use Bolt (B) fitted with Spring Washer (G) and Flat Washer (E) and to fasten Side Rail (3) to Headboard (1) & Footboard (2). Use Allen Key (A) to drive and tighten (B).

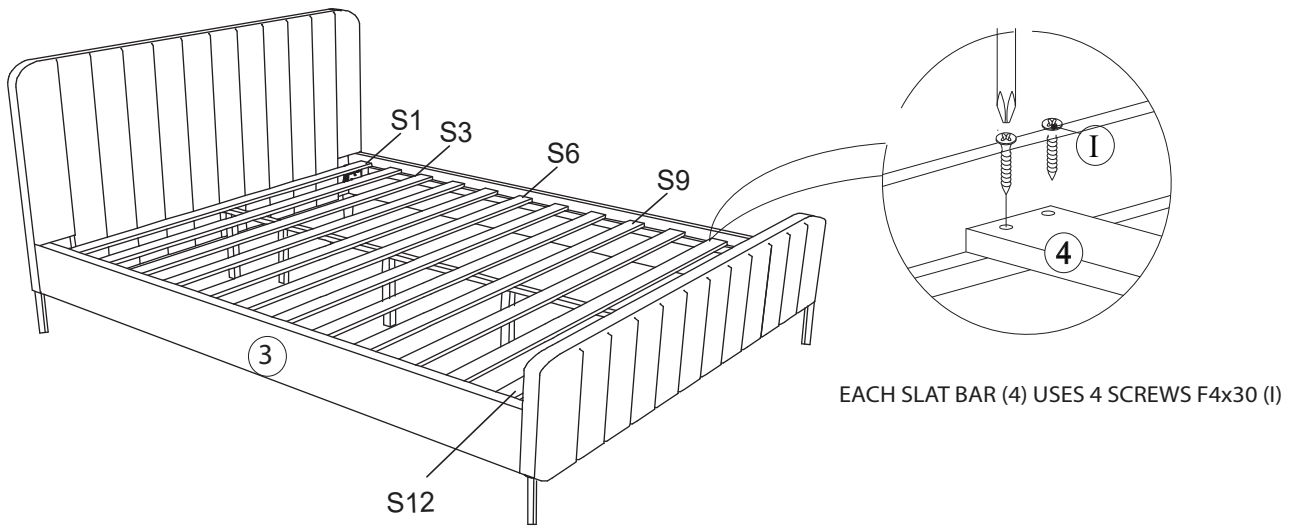
**STEP 6**



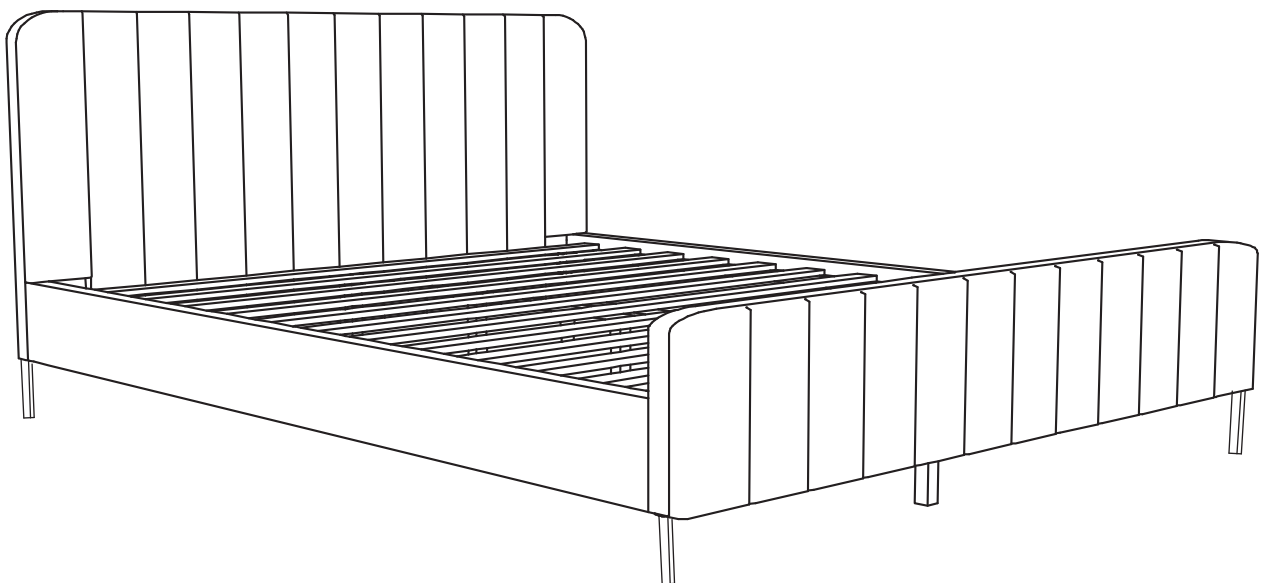
- A. With assistance use Bolt (D) fitted with Spring Washer (H) and Flat Washer (F) to fasten Slat (4) #S1 to Center Support Bar (5) and Center Support Leg (7).  
 B. Use Allen Key (A) to drive and tighten (D). Use the same procedure to fasten Slat (4) #S3, #S6, #S9, #S12 to Center Support Bar (5) and Center Support Leg (7).

ASSEMBLY INSTRUCTIONS  
Pietro Tufted Upholstered Platform Bed-QB  
Item#BST0378-QB

STEP 7



- A. Use Screw ( I ) to fasten Slat (S1,S3, S6, S9 & S12 to Left and Right Side Rail (3).
- B. Use Screw ( I ) to fasten remaining slats to Left and Right Side Rail (3).



THE ASSEMBLY OF THE BED IS COMPLETE